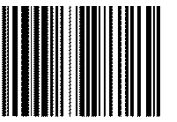


<b>STARTUP GUIDE</b>	<b>STOP!</b> ENGLISH	FOR SAFETY AND EASE OF ASSEMBLY, FOLLOW THESE INSTRUCTIONS STEP BY STEP.	→	 <b>Caution</b> ENGLISH	<ul style="list-style-type: none"> <li>Do not remove packing material from the wall system until the instructions tell you to do so.</li> <li>Install the security screw as instructed.</li> </ul>
<b>GUÍA DE INICIO</b>	<b>¡PARE!</b> ESPAÑOL	POR RAZONES DE SEGURIDAD Y PARA FACILITAR EL MONTAJE DEBE SEGUIR ESTAS INSTRUCCIONES PASO A PASO.	→	 <b>Precaución</b> ESPAÑOL	<ul style="list-style-type: none"> <li>No retire el material de embalaje del sistema de pared hasta que las instrucciones no se lo indiquen.</li> <li>Instale el tornillo de seguridad tal y como se indica.</li> </ul>
<b>GUIDE DE DÉMARRAGE</b>	<b>STOP!</b> FRANÇAIS	POUR VOTRE SÉCURITÉ ET POUR FACILITER L'ASSEMBLAGE, VEUILLEZ SUIVRE CES INSTRUCTIONS ÉTAPE PAR ÉTAPE.	→	 <b>Mise en garde</b> FRANÇAIS	<ul style="list-style-type: none"> <li>Ne retirez pas le matériel d'emballage du système mural avant que les instructions ne le stipulent.</li> <li>Installez les vis de fixation tel qu'indiqué.</li> </ul>
<b>STARTANLEITUNG</b>	<b>STOPP!</b> DEUTSCH	DIESE ANLEITUNGEN SCHRITT FÜR SCHRITT BEFOLGEN, UM DIE SICHERHEIT UND DIE PROBLEMLOSE MONTAGE ZU GEWÄHRLEISTEN.	→	 <b>Achtung</b> DEUTSCH	<ul style="list-style-type: none"> <li>Verpackungsmaterial des Wandsystems erst entfernen, wenn Sie dazu aufgefordert werden.</li> <li>Die Sicherheitsschraube nach Anweisung einbauen.</li> </ul>
<b>STARTHANDBOK</b>	<b>STOPP!</b> SVENSKA	FÖLJ DESSA INSTRUKTIONER STEG FÖR STEG FÖR ATT GARANTERA EN SÄKER OCH ENKEL MONTERING	→	 <b>Försiktighet</b> SVENSKA	<ul style="list-style-type: none"> <li>Avlägsna inget förpackningsmaterial runt väggsystemet förrän instruktionerna anger det.</li> <li>Fäst säkerhetsskruven enligt instruktionerna.</li> </ul>
<b>INSTRUKCJA URUCHAMIANIA</b>	<b>STOP!</b> POLSKI	ZE WZGLĘDÓW BEZPIECZEŃSTWA I ŁATWOŚCI MONTAŻU PROSZĘ PRZESTRZEGAĆ NINIEJSZYCH INSTRUKCJI KROK PO KROKU.	→	 <b>Przestroga</b> POLSKI	<ul style="list-style-type: none"> <li>Nie zdejmować materiału pakującego z systemu ściennego, jeżeli nie mówią tego instrukcje.</li> <li>Zainstalować wkręt zabezpieczający zgodnie z instrukcją.</li> </ul>
<b>STARTGIDS</b>	<b>STOP!</b> NEDERLANDS	VOLG DEZE AANWIJZINGEN STAP VOOR STAP TEN BEHOEVE VAN DE VEILIGHEID EN HET MONTAGEGEMAK.	→	 <b>Let op</b> NEDERLANDS	<ul style="list-style-type: none"> <li>Verwijder geen verpakkingsmateriaal van de wandunit voordat dit in de aanwijzingen wordt aangegeven.</li> <li>Breng de veiligheidsschroef aan volgens de instructie.</li> </ul>
<b>GUIDA ALL'AVVIO</b>	<b>FINE!</b> ITALIANO	PER UN ASSEMBLAGGIO SEMPLICE E SICURO, SEGUIRE ATTENTAMENTE QUESTE ISTRUZIONI.	→	 <b>Attenzione</b> ITALIANO	<ul style="list-style-type: none"> <li>Non rimuovere il materiale di imballaggio dal sistema a parete finché non viene espressamente indicato nelle istruzioni.</li> <li>Installare la vite di sicurezza come indicato.</li> </ul>
<b>OPSTARTSVEJ LEDNING</b>	<b>STOP!</b> DANSK	DU SKAL FØLGE DISSE INSTRUKTIONER TRIN FOR TRIN FOR AT SIKRE, AT DET ER SIKKERT OG LET AT SAMLE.	→	 <b>Forsigtig</b> DANSK	<ul style="list-style-type: none"> <li>Fjern ikke noget af pakkematerialet fra vægssystemet, før instruktionerne beder dig om det.</li> <li>Monter sikkerhedsskruen som anvist.</li> </ul>



<b>GUIA DE INICIALIZAÇÃO</b>	<b>PARE!</b> PORTUGUÊS (BRASIL)	PARA UMA MONTAGEM FÁCIL E SEGURA, SIGA ESTAS INSTRUÇÕES PASSO A PASSO.		<b>Cuidado</b> PORTUGUÊS (BRASIL)	<ul style="list-style-type: none"> <li>Não remova o material da embalagem do sistema de parede até que seja instruído a fazê-lo.</li> <li>Instale o parafuso de segurança como instruído.</li> </ul>
<b>ΟΔΗΓΟΣ ΕΚΚΙΝΗΣΗΣ</b>	<b>ΣΤΟΠ!</b> ελληνικά	ΠΡΟΚΕΙΜΕΝΟΥ ΝΑ ΕΞΑΣΦΑΛΙΣΤΕΙ Η ΑΣΦΑΛΕΙΑ ΚΑΙ Η ΕΥΚΟΛΙΑ ΣΤΗ ΣΥΝΑΡΜΟΛΟΓΗΣΗ, ΑΚΟΛΟΥΘΗΣΤΕ ΑΥΤΕΣ ΤΙΣ ΟΔΗΓΙΕΣ ΒΗΜΑ ΠΡΟΣ ΒΗΜΑ.		<b>Προσοχή</b> Ελληνικά	<ul style="list-style-type: none"> <li>Μην απομακρύνετε οποιοδήποτε υλικό συσκευασίας από το επιτοίχιο σύστημα προτού σας ζητηθεί κάτι τέτοιο από τις οδηγίες.</li> <li>Τοποθετήστε τη βίδα ασφαλείας σύμφωνα με τις οδηγίες.</li> </ul>
<b>OPPSTART SVEILEDNI</b>	<b>STOPP!</b> NORSK	DU MÅ FØLGE DISSE INSTRUKSJONENE NØYAKTIG FOR Å SØRGE FOR SIKKERHET OG ENKEL MONTERING.		<b>Forsiktig</b> NORSK	<ul style="list-style-type: none"> <li>Ikke fjern emballasjemateriale fra veggsystemet før instruksjonene sier du skal gjøre det.</li> <li>Fest sikkerhetsskruen som instruksjonene sier.</li> </ul>
<b>ALOITUSOPAS</b>	<b>STOP!</b> SUOMI	TURVALLISEN JA HELPON ASENNUKSEN TAKAAMISEKSI SEURAA NÄITÄ OHJEITA VAIHE VAIHEELTA.		<b>Varoitus</b> SUOMI	<ul style="list-style-type: none"> <li>Älä poista pakkausmateriaaleja seinäjärjestelmästä ennen kuin ohjeissa kehoitetaan.</li> <li>Asenna turvaruuvi ohjeiden mukaan.</li> </ul>
<b>入门指南</b>	<b>停止!</b> 中文	为确保安全性和易于组装，请遵循这些说明逐步操作。		<b>小心</b> 中文	<ul style="list-style-type: none"> <li>除非在说明中有明确指示，否则请勿拆除壁挂系统的包装材料。</li> <li>请按说明安装安全螺钉。</li> </ul>
<b>시작 안내서</b>	<b>중지!</b> 한국어	안전을 지키면서 쉽게 조립하기 위해서는 이 지침을 단계별로 정확하게 따라야 합니다.		<b>주의</b> 한국어	<ul style="list-style-type: none"> <li>지침이 있을 때까지 벽걸이 시스템 둘레에서 어떤 포장 재료도 제거하지 마십시오.</li> <li>지침에 따라 고정 나사를 끼우십시오.</li> </ul>
<b>入門指南</b>	<b>停止!</b> 繁體中文	為確保安全性和組裝的便易性，請遵循這些指示逐步操作。		<b>注意事項</b> 繁體中文	<ul style="list-style-type: none"> <li>直到說明書指示去除之前，請勿去除壁掛系統周圍的包裝材料。</li> <li>按指示安裝安全螺絲。</li> </ul>
<b>BAŞLATMA KILAVUZU</b>	<b>DURUN!</b> TÜRKÇE	KOLAY VE GÜVENLİ MONTAJ İÇİN BU TALİMATLARI ADIM ADIM TAKİP EDİN.		<b>Dikkat</b> TÜRKÇE	<ul style="list-style-type: none"> <li>Talimatlarda belirtilene kadar duvar sisteminin ambalaj malzemelerini çıkarmayın.</li> <li>Güvenlik vidasını talimatlarda belirtildiği şekilde takın.</li> </ul>
<b>GUIA DE INICIAÇÃO</b>	<b>PARAR!</b> PORTUGUÊS (PORTUGAL)	PARA A SEGURANÇA E FACILIDADE DE MONTAGEM, SIGA ESTAS INSTRUÇÕES PASSO A PASSO.		<b>Atenção</b> PORTUGUÊS (PORTUGAL)	<ul style="list-style-type: none"> <li>Não retire o material de embalagem do sistema de parede antes de as instruções indicarem para o fazer.</li> <li>Instale o parafuso de segurança conforme indicado.</li> </ul>



Welch Allyn Connex® Integrated Wall System

Startup guide

ENGLISH

Setup



**Caution** Welch Allyn is not responsible for the integrity of any wall mounting interface. Welch Allyn recommends that you contact your Biomedical Engineering Department or maintenance service to ensure professional installation, safety, and reliability of any mounting accessory.

Note

Some product features described in this publication might not be available in your country. For the latest information about products and features, please call Welch Allyn Customer Care.

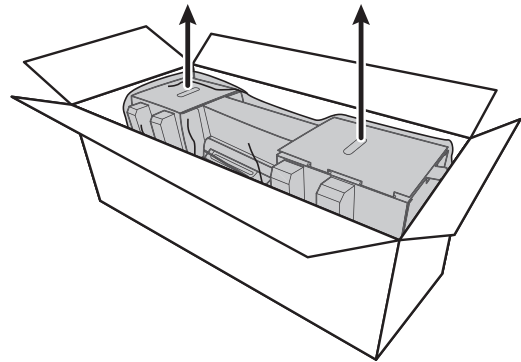
Unpack the wall system

This procedure applies to first-time setup of the wall system.

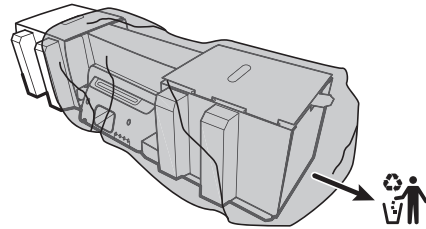


**Caution** You must follow these instructions exactly to ensure safety and ease of assembly.  
**Caution** Do not remove any packing materials around the wall system until the instructions tell you to do so.

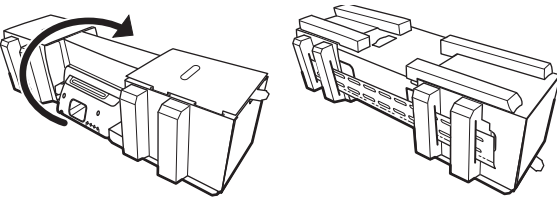
1. Lift the wall system out of the box by the cardboard handles.



2. With the wall system still in its packing material, place it onto a table or flat work surface and remove it from the plastic bag.



3. Turn the wall system over so that the back of the wall system faces up.



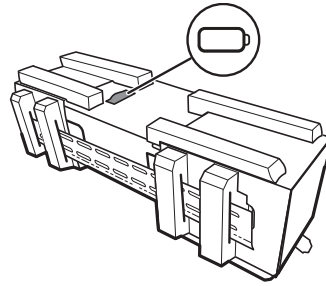
Insert the battery

This procedure applies to first-time setup of the wall system. Therefore, the wall system is assumed to be shut down.

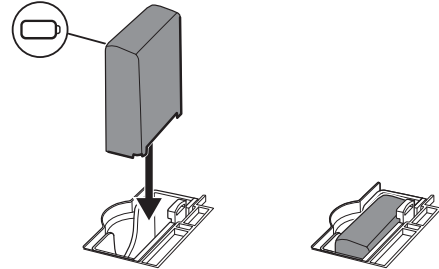


**WARNING** Risk of fire, explosion, and burns. Do not short-circuit, crush, incinerate, or disassemble the battery pack.

1. Locate the battery compartment, indicated by .

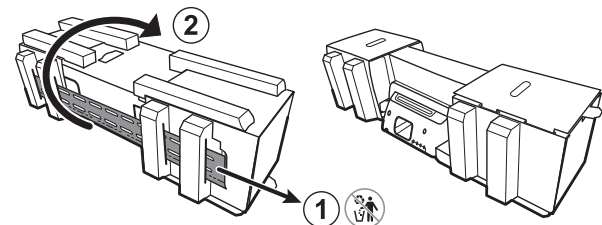


2. Insert the battery. (The battery is in a pink anti-static bag in the accessory box.)

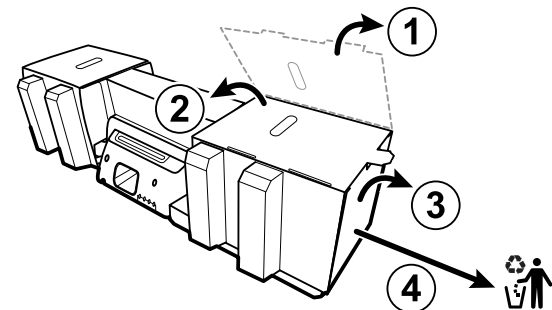


Prepare for mounting

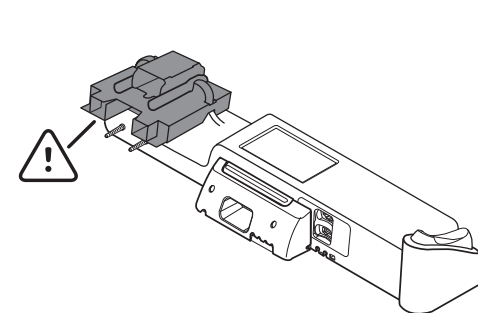
1. Slide the mounting rail bracket out of the packing material and put it aside. Do not discard. Then flip the wall system onto its back.



2. Remove the cardboard end caps as shown and put aside for recycling.

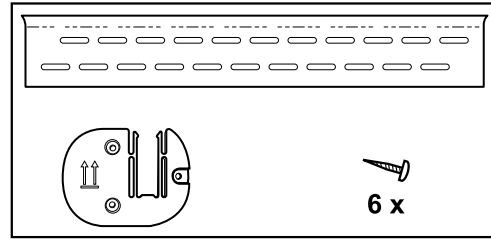


**Caution** Do not remove the cardboard securing the handles on the left side of the wall system at this time. The cardboard prevents damage to those instruments during the mounting process.



Mounting hardware inventory

Use these items to mount the wall system.



- Mounting rail bracket
- Accessory bin bracket
- Screws

Tools list

Use these tools to mount the wall system.

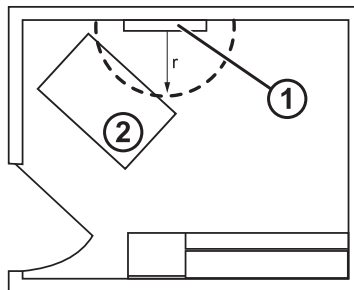
- #2 Phillips screwdriver
- level
- tape measure
- stud finder
- drill
- 1/8-inch (3.17 mm) diameter drill bit

Mounting location

Before mounting the wall system, consider the following recommendations to determine the best mounting location:

- Mount the wall system to studs.
- Mount the wall system within reach of the AC power outlet. The power cord is 8 ft. (2.44 m) long.
- Avoid brightly lit areas.
- Blood pressure tubing is 8 ft. (2.44 m) long.
- Position the wall system so that all instruments are accessible and in a location that allows for ergonomic examinations.

Sample room layout



1. Connex Integrated Wall System
2. Examination table

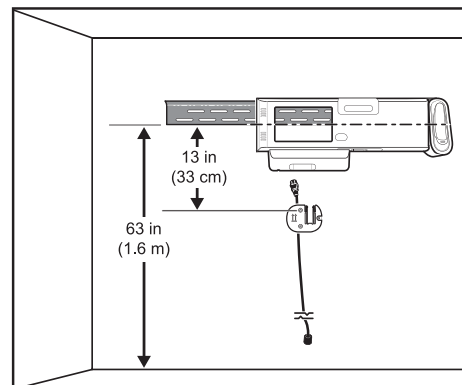
Mount the wall system

1. On the selected wall, find and mark the studs, and choose the system height and corresponding height for the mounting rail bracket.

**Recommendation:** Place the mounting rail bracket 63 inches (1.6 m) from the floor, which places screen center height at approximately 63 inches (1.6 m) from the floor.



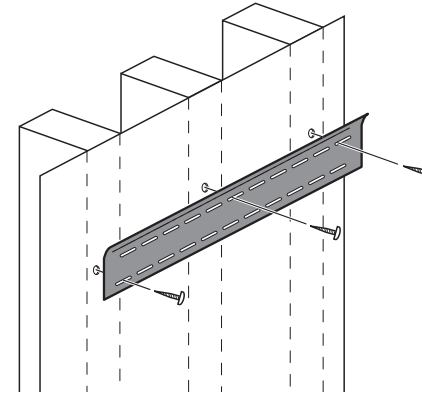
**Caution** This drawing shows the physical relationships of the mounting brackets to each other and to the wall system **after** you complete the mounting instructions. Do not place the wall system on the wall until you have completed all preliminary steps.



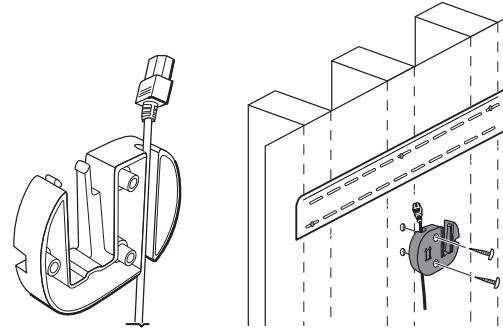
2. Affix the mounting rail bracket to three studs at the selected height using the available screws (anchors are provided for additional support).



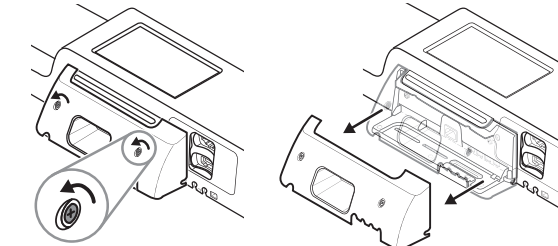
**Caution** Ensure that the upper "lip" of the bracket sticks out from the wall and that the bracket is level.



3. Route the power cord through the channel in the back of the accessory bin bracket, then mount the bracket on the center stud at least 13 inches (33 cm) below the mounting rail bracket.



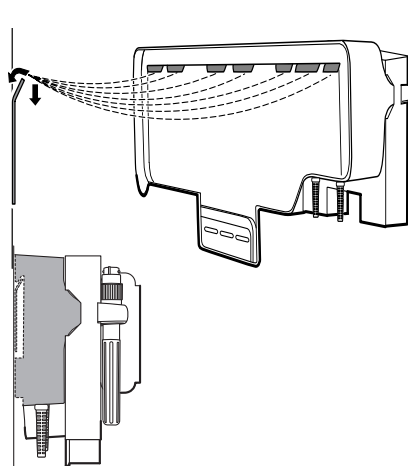
4. Before mounting the wall system, remove the cover by loosening the captive retention screws.



5. Hang the wall system on the mounting rail bracket.



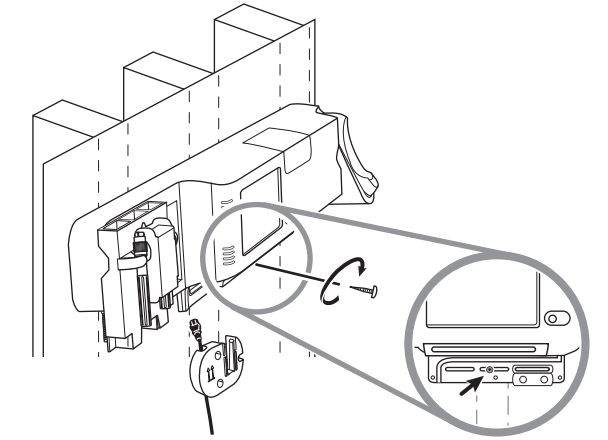
**WARNING** Ensure that the "ribs" on the back of the wall system fully engage the mounting rail bracket. The wall system should be level and flush to the wall.



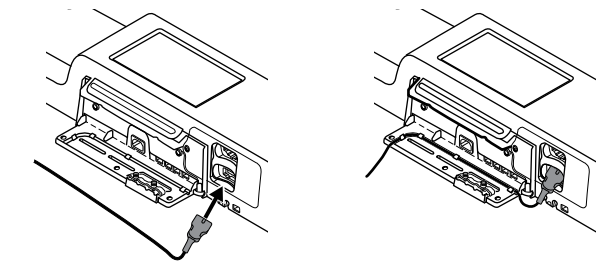
6. Select one of the three available slots at the bottom of the unit that overlaps a stud, and secure the unit to the stud with the remaining screw.



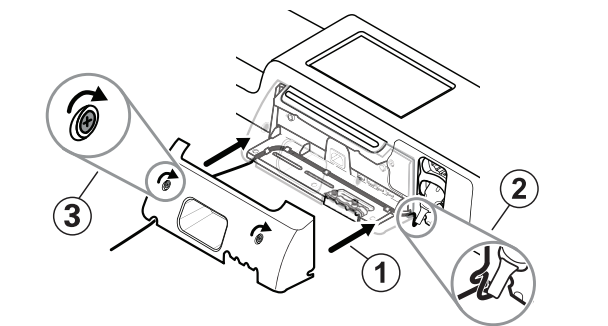
**WARNING** Failure to install this security screw may result in personal injury and equipment damage.



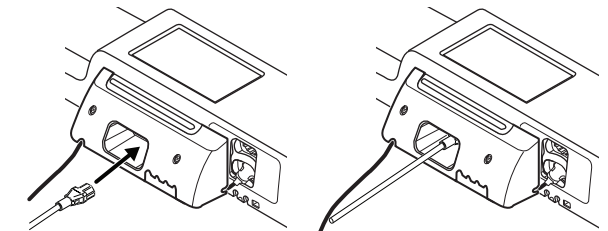
7. If the wall unit is configured for SpO2, connect the SpO2 cable and route it through the channel above the security screw you just installed.



8. Re-attach the cover.
  - a. Thread the SpO2 cable through the cutouts on the top right and bottom left of the cover

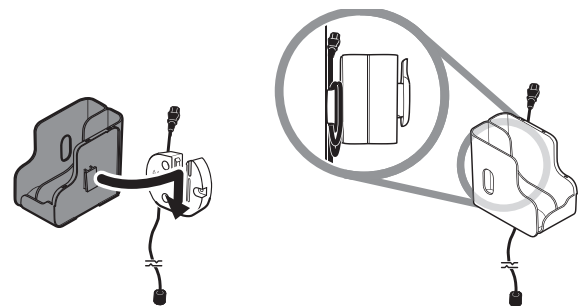


9. Attach the system power cord to the wall unit. Do not plug the cord into an outlet at this time.
  - a. Tighten the two retention screws.

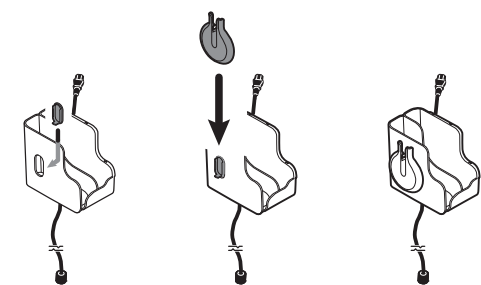


## Mount the accessory bin

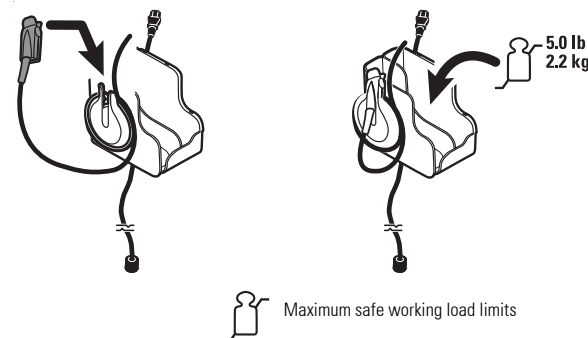
1. Mount the accessory bin on the accessory bin bracket, then loosely wrap the excess power cord around the accessory bin bracket.




2. If your wall system is configured for SpO2, attach the SpO2 spool to the accessory bin by sliding the spool onto the retention clip.



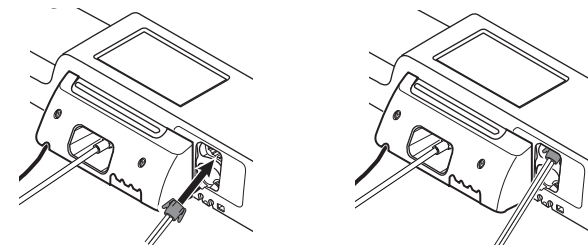
3. Properly orient and insert the SpO2 sensor cable into the patient cable connector. (You just connected the opposite end of the sensor cable to the wall system.) Ensure the sensor cable is inserted completely, then close the protective cover. (See the sensor manufacturer's directions for use.)
4. Wrap the excess SpO2 patient cable around the spool, and place the SpO2 finger clip in the SpO2 holder.



 Maximum safe working load limits

## Connect the blood pressure (NIBP) hose

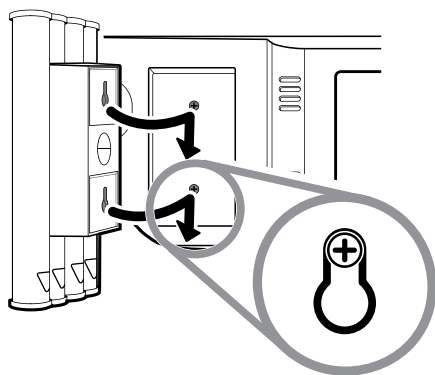
1. Align the hose connector with the hose connector port on the bottom of the monitor.
2. Insert the hose connector, pressing firmly until it clicks into place.



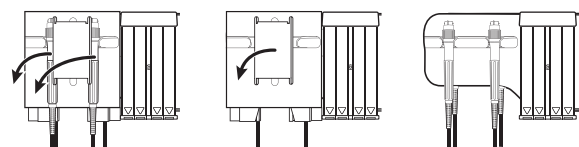
3. Attach a blood pressure cuff to the tubing (see the cuff manufacturer's directions for use), then store the cuff in the accessory bin.

## Set up the physical assessment instrument handles and specula dispenser

1. Attach the specula dispenser. Ensure that the keyhole locking slots on the back of the dispenser engage the locking screws on the wall system, then push down firmly.



2. Remove the cardboard securing the instrument handles.



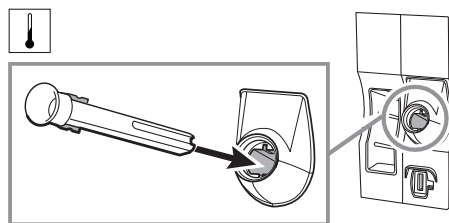
3. Attach Welch Allyn 3.5V instrument heads of your choice to the handles. See the directions for use for each instrument head.

## Set up the SureTemp® Plus thermometer

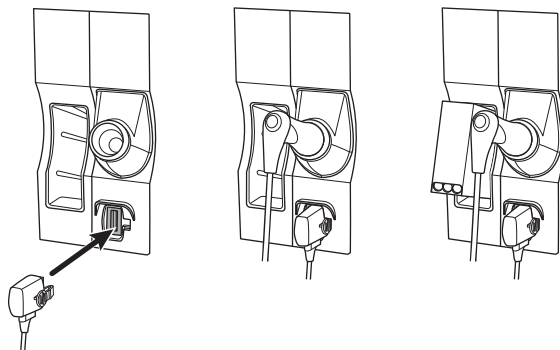
If your wall system is configured for a SureTemp Plus thermometer, follow these setup instructions.

1. Align the probe well with the tabs facing up and down and insert the probe well into the temperature module.

The probe well snaps into place when it is fully seated.



2. Hold the temperature probe cable connector with the spring tab on the right and insert it into the probe port of the temperature module. Push it into place until it clicks.
3. Insert the temperature probe into the probe well.
4. Open a box of probe covers and place it in the probe cover box holder.

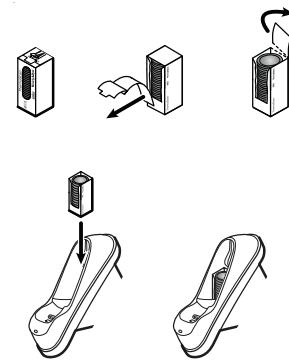


- Note** Place spare boxes of probe covers in the storage compartment on the top of the wall system.

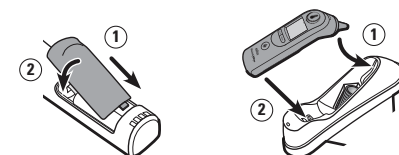
## Set up the Braun ThermoScan® PRO thermometer

If your system is configured for the Braun ThermoScan thermometer, follow these setup instructions.

1. Remove the thermometer from the package. Then open a box of probe covers and place it in the dock.



2. Remove the thermometer cover, insert the battery, replace the thermometer cover, then place the thermometer in the dock.



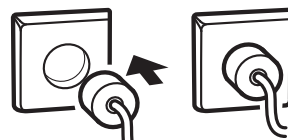
3. Charge the Braun thermometer for 24 hours before use.
4. To switch from Celsius to Fahrenheit, see the thermometer manufacturer's directions for use.

**Note** The Braun ThermoScan PRO 6000 thermometer does not charge during ECG monitoring. When ECG monitoring stops, the thermometer automatically resumes charging.

## Connect AC power

The wall system uses both battery and AC power. After completing all other setup activities, you can apply power to the wall system.

1. Insert the power plug into an outlet to power the monitor and to charge the battery.



**Note** New batteries are only 30 percent charged. You must plug the wall system into AC power to fully charge the battery. Do not plug in the power cord until you complete all preliminary steps.

2. Proceed to Startup.

## Startup

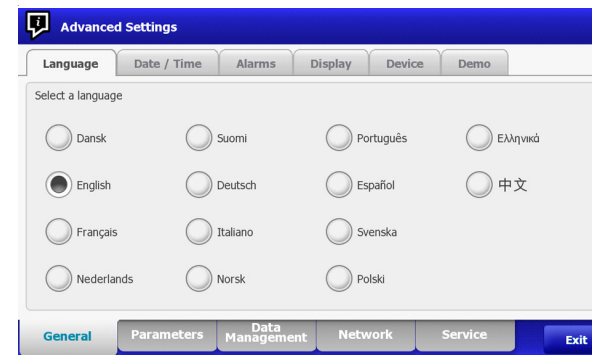
### Power up the wall system

Press  to power up the wall system.

### Select a language

When you power up the wall system for the first time, the language selection screen appears.


1. Select your language.



2. Touch **Exit**.

The Home tab appears.

### Set the date and time

1. Touch the **Settings** tab.
2. Touch the **Device** tab.
3. To change the date and time values, touch the up and down arrow keys or touch  and enter a value.

Repeat for each value you want to change.

**Note** The date and time stamps on saved patient measurements will adjust in response to new date and time settings.

### Set the default configuration

1. Touch the **Settings** tab.
2. Touch the **Device** tab.
3. Enter or adjust the desired settings you want to add or change.

**Note** The new settings appear as they are completed but are temporary until they are saved.


4. Touch **Save as default**.
5. Touch **OK** to confirm that you want to overwrite your previous settings and replace them with your current settings in the startup default configuration. Or touch **Cancel** to retain the previous settings.

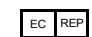
The new settings are stored as the default startup settings once you restart the monitor.

**Note** If your wall system is connected to a network, the date and time settings are synchronized with the network settings.

**Note** The date and time stamps on saved patient measurements will adjust in response to new date and time settings.

 Welch Allyn Inc.  
4341 State Street Road  
Skaneateles Falls, NY 13153 USA  
Tel. +1 800 535 6663 or +1 315 685 4560 • Fax. +1 315 685 3361  
www.welchallyn.com

 The CE Mark signifies the device has met all essential requirements of European Medical Device Directive 93/42/EEC.

 Regulatory Affairs Representative, Welch Allyn Limited  
Navan Business Park, Dublin Road, Navan, County Meath, Republic of Ireland

© 2017 Welch Allyn, Inc. All rights reserved. Welch Allyn assumes no responsibility for any injury to anyone, or for any illegal or improper use of the product, that may result from failure to use this product in accordance with the instructions, cautions, or warnings published in this startup guide. Welch Allyn is a registered trademark of Welch Allyn, Inc.

Revision date: 2017-05  
Welch Allyn Technical Support  
www.welchallyn.com/support



Instalación

**Precaución** Welch Allyn no se responsabiliza de la integridad de cualquier interfaz de montaje en pared. Welch Allyn le recomienda que se ponga en contacto con el departamento de bioingeniería o con el servicio de mantenimiento para garantizar una instalación profesional, seguridad y fiabilidad de cualquiera de los accesorios de montaje.

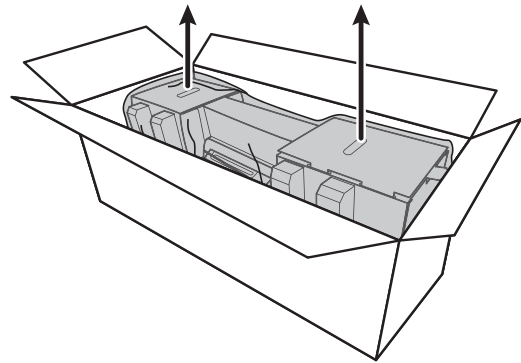
**Nota** Es posible que algunas de las características y funciones de producto descritas en este documento no estén disponibles en su país. Para obtener información actualizada sobre productos y funciones, póngase en contacto con el servicio de atención al cliente de Welch Allyn.

Desembalaje del sistema de pared

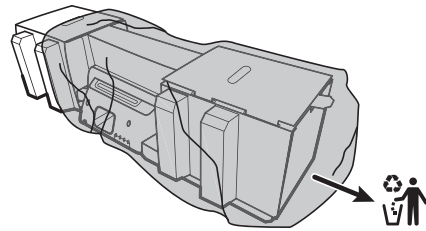
Este procedimiento se aplica a la primera configuración del sistema de pared.

**Precaución** Debe seguir estas instrucciones al pie de la letra para garantizar la seguridad y sencillez de montaje.  
**Precaución** No retire ningún material de embalaje del sistema de pared hasta que las instrucciones se lo indiquen.

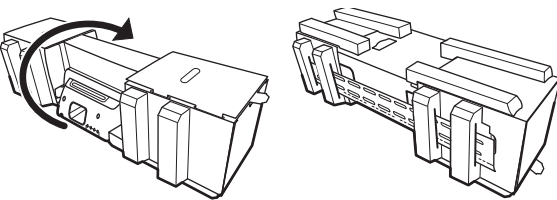
1. Saque el sistema de pared de la caja con los mangos de cartón.



2. Con el sistema de pared aún en su material de embalaje, colóquelo en una mesa o superficie de trabajo plana y saquelo de la bolsa de plástico.




3. Gire el sistema de pared para que la parte posterior quede orientada hacia arriba.

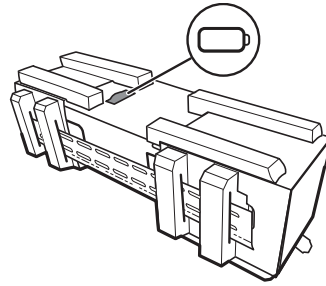


Inserción de la batería

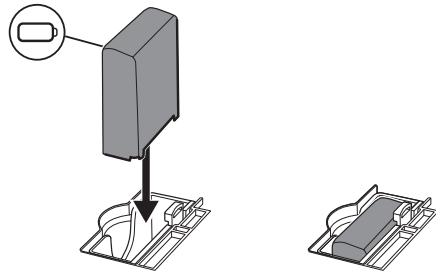
Este procedimiento se aplica a la primera configuración del sistema de pared. Por lo tanto, se presupone que el sistema de pared está apagado.

**ADVERTENCIA** Riesgo de incendio, explosión y quemaduras. No provoque cortocircuitos ni roturas, ni incinere o desmonte el paquete de la batería.

1. Ubique el compartimento de la batería, indicado por el símbolo .

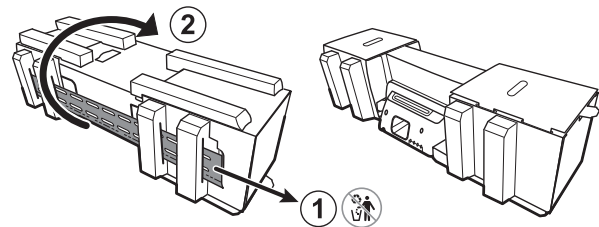


2. Inserte la batería. (La batería se encuentra en una bolsa rosa antiestática en la caja de accesorios.)

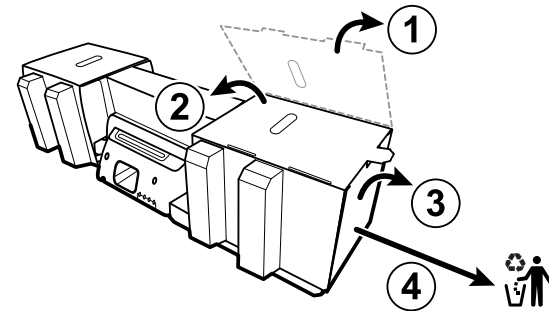


Preparación para el montaje

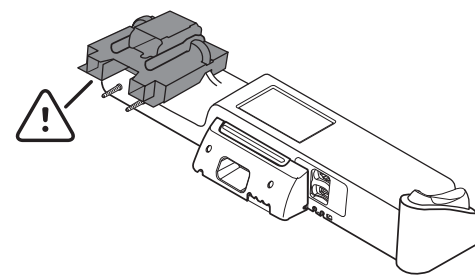
1. Deslice el soporte del rail de montaje fuera del material de embalaje y póngalo a un lado. No lo deseche. A continuación, gire el sistema de pared y colóquelo sobre su parte posterior.



2. Retire las tapas de cartón de los extremos y toda la espuma tal y como se muestra y sepárelos para el reciclaje.

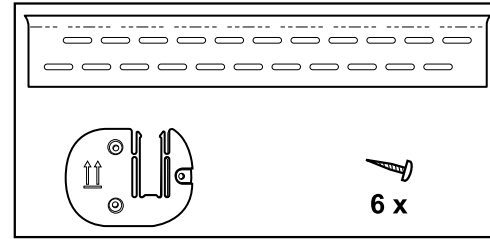


**Precaución** No retire el cartón que cubre los mangos de la parte izquierda del sistema de pared en esta etapa. El cartón evita posibles daños en los instrumentos durante el proceso de montaje.



Inventario del hardware de montaje

Utilice estos elementos para montar el sistema de pared.



- Soporte de rail de montaje en pared
- Soporte de montaje del recipiente accesorio
- Los tornillos

Lista de herramientas

Utilice estas herramientas para montar el sistema de pared:

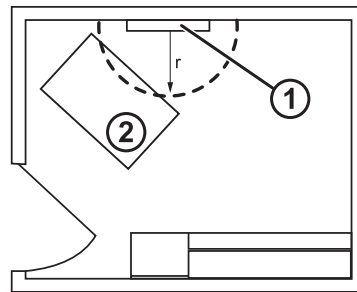
- Destornillador Phillips N.º 2
- nivel
- cinta métrica
- detector de tachones
- taladro
- broca de 3,17 mm (1/8 pulgadas) de diámetro

Ubicación de montaje

Antes de instalar el sistema de pared, tenga en cuenta las siguientes recomendaciones para determinar la mejor ubicación de montaje:

- Instale el sistema de pared con tachones.
- Instale el sistema de pared al alcance de la toma de alimentación CA. El cordón de alimentación tiene una longitud de 2,44 m (8 pies).
- Evite zonas muy iluminadas.
- El tubo de presión sanguínea tiene una longitud de 2,44 m (8 pies).
- Coloque el sistema de pared de manera que todos los instrumentos queden accesibles y en una ubicación que permita análisis ergonómicos.

Ejemplo de distribución de la habitación



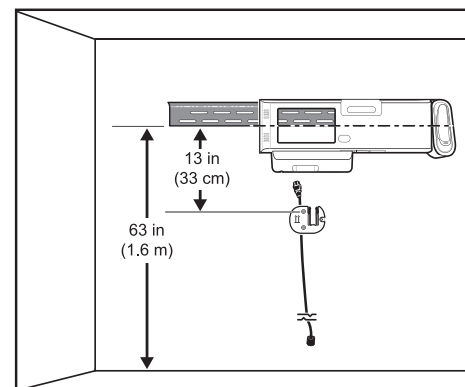
1. Connex Integrated Wall System
2. Mesa de análisis

Montaje del sistema de pared

1. En la pared seleccionada, encuentre y marque los tachones y elija la altura del sistema y la del soporte de rail de montaje correspondiente.

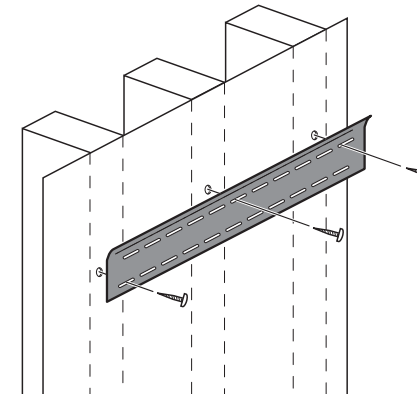
**Consejo:** Coloque el soporte del rail de montaje a 63 in. (1,6 m) del suelo para que el centro de la pantalla se encuentre a una altura de 63 in. (1,6 m) del suelo.

**Precaución** Este dibujo muestra la relación física de los soportes de montaje entre ellos y respecto al sistema de pared **después** de haber completado las instrucciones de montaje. No coloque el sistema de pared en su soporte hasta que haya completado todos los pasos preliminares.

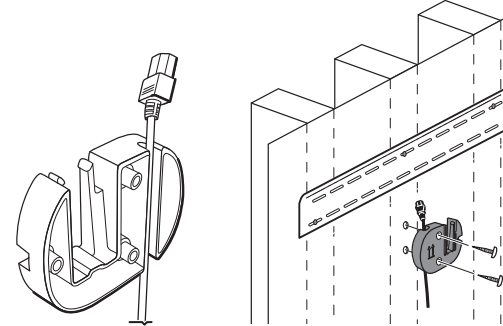


2. Fije el soporte del rail de montaje a tres tachones a la altura seleccionada con los tornillos disponibles (se proporcionan soportes de sujeción adicionales).

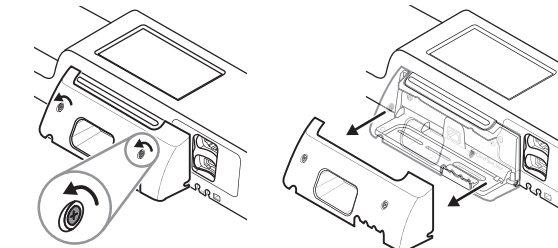
**Precaución** Asegúrese de que la lengüeta superior del soporte sale de la pared y de que el soporte está nivelado.



3. Guíe el cable de alimentación por el canal de la parte posterior del soporte del casillero accesorio; después, monte el soporte en el tachón central a al menos 13 in. (33 cm) por debajo del soporte de rail de montaje.

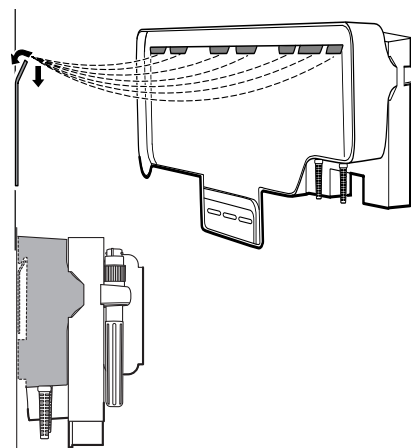


4. Antes de montar el sistema de pared, afloje los tornillos de sujeción para retirar la cubierta.



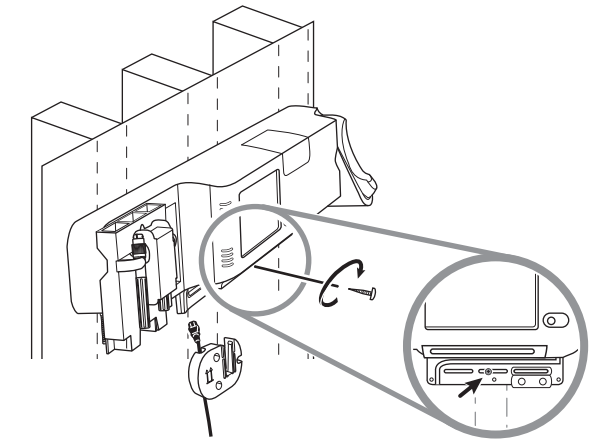
5. Cuelgue el sistema de pared en el soporte de rail de montaje.

**ADVERTENCIA** Asegúrese de que las tiras de la parte posterior del sistema de pared encajan completamente en el soporte de rail de montaje. El sistema de pared debe quedar nivelado y pegado a la pared.

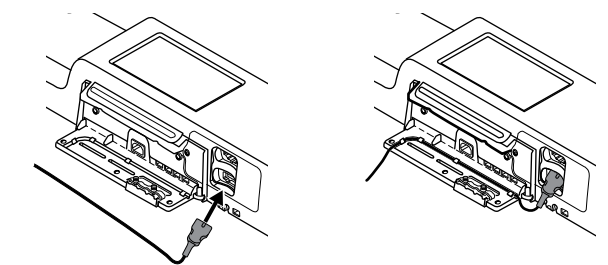


6. Seleccione una de las tres ranuras disponibles en la parte inferior de la unidad que solapan los tachones y asegure la unidad al tachón con el tornillo restante.

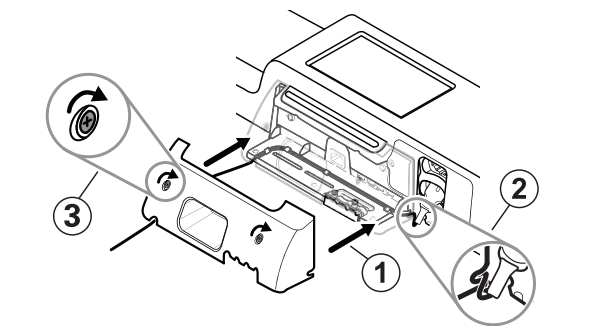
**ADVERTENCIA** Si no utiliza este tornillo de seguridad, se pueden provocar daños personales y en el equipo.



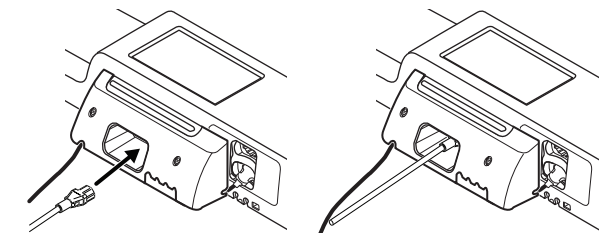
7. Si la unidad de pared está configurada para SpO2, conecte el cable de SpO2 y guíelo por el canal por encima del tornillo de seguridad que acaba de instalar.



8. Vuelva a conectar la cubierta.  
 a. Pase el cable de SpO2 por los cortes de la parte superior derecha e inferior izquierda de la cubierta.



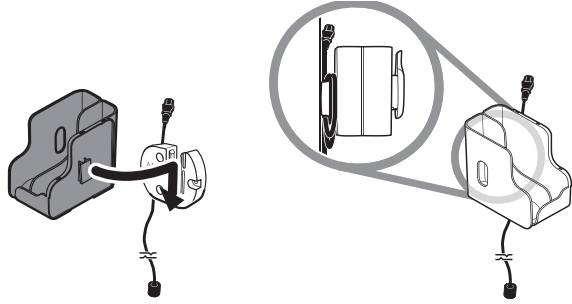
b. Apriete los dos tornillos de sujeción.  
 9. Conecte el cable de alimentación del sistema a la unidad de pared. No enchufe el cable a una salida en esta etapa.



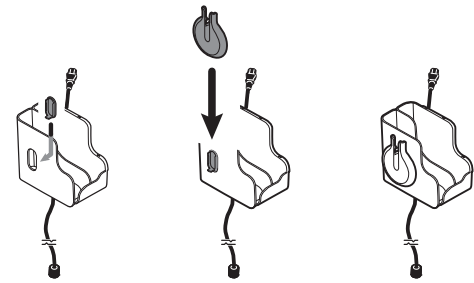


## Montaje del casillero accesorio

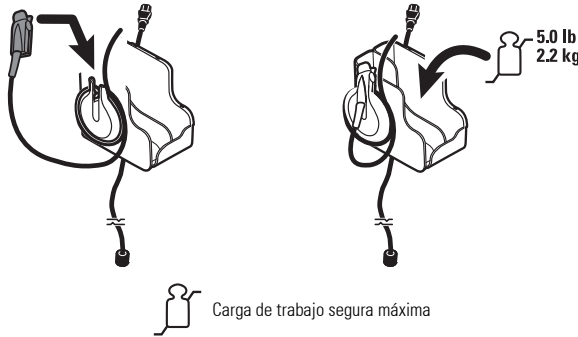
1. Monte el casillero accesorio en su soporte; después, enrolle el exceso de cable sin apretar alrededor del soporte.



2. Si el sistema de pared está configurado para SpO2, conecte el carrete de SpO2 al casillero accesorio deslizando el carrete en el clip de sujeción.

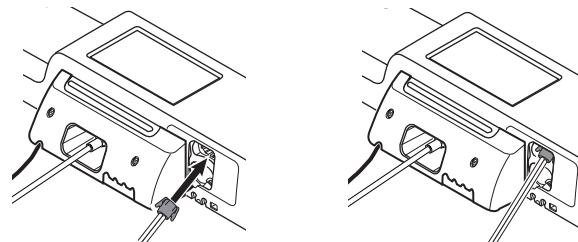


3. Oriéntelo correctamente e inserte el cable del sensor de SpO2 en el conector de cable del paciente. (Sólo se conecta el extremo contrario del cable del sensor al sistema de pared). Asegúrese de que el cable del sensor queda completamente insertado y cierre la cubierta protectora. (Consulte las instrucciones de uso del fabricante del sensor).
4. Enrolle el exceso de cable de SpO2 del paciente alrededor del carrete y coloque el clip de dedo de SpO2 en el soporte de SpO2.



## Conexión del tubo de presión sanguínea (PSNI)

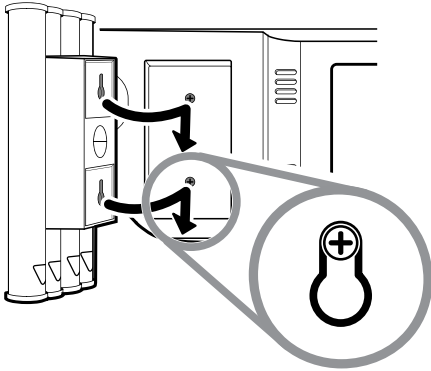
1. Alinee el conector del tubo con el puerto del conector del tubo de la parte inferior del monitor.
2. Presione firmemente el conector del tubo hasta que suene un clic que indique que se ha insertado.



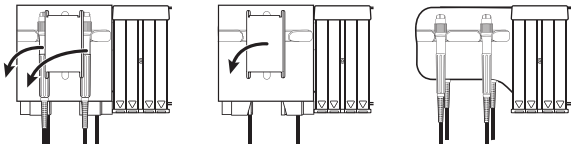
3. Conecte un manguito de presión sanguínea al tubo (consulte las instrucciones de uso del fabricante del manguito), después, guarde el manguito en el casillero accesorio.

## Configuración de los mangos del instrumento de evaluación del estado físico y dispensador de espejuelos

1. Conecte el dispensador de espejuelos. Asegúrese de que las ranuras de bloqueo de la parte posterior del dispensador encajan en los tornillos de bloqueo del sistema de pared y presione firmemente.



2. Retire el cartón que cubre los mangos del instrumento.



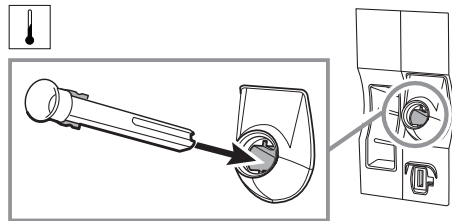
3. Conecte los cabezales del instrumento Welch Allyn 3.5V que desee a los mangos. Consulte las instrucciones de uso de cada cabezal del instrumento.

## Configuración del termómetro SureTemp® Plus

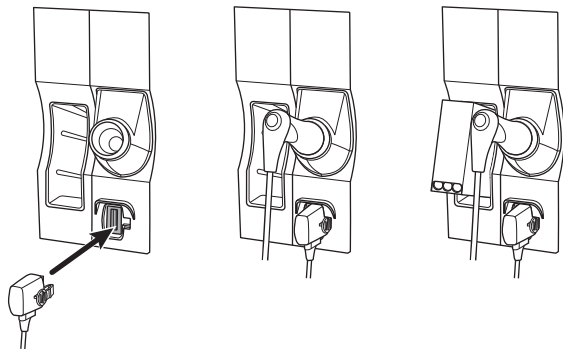
Si el sistema de pared está configurado para un termómetro SureTemp Plus, siga estas instrucciones de configuración.

1. Alinee el receptáculo del sensor con las pestañas hacia arriba y hacia abajo e inserte el receptáculo del sensor en el módulo de temperatura.

El receptáculo del sensor emitirá un ruido seco al asentarse completamente.



2. Sujete el cable del sensor de temperatura con la pestaña del resorte en la parte derecha e insértele en el puerto de la sonda del módulo de temperatura. Empújelo hasta que quede colocado en su lugar con un clic.
3. Inserte la sonda de temperatura en el receptáculo.
4. Abra una caja de cubiertas de sensor y colóquela en el soporte de cajas de cubiertas de sensor.

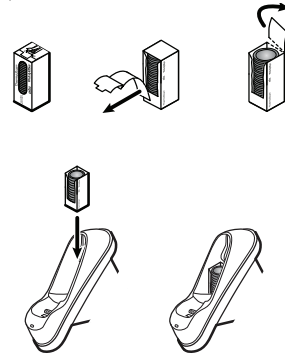


- Nota** Las bolsas de repuesto de cubiertas de sensor se pueden guardar en el compartimento de la parte superior del sistema de pared.

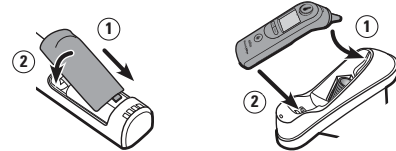
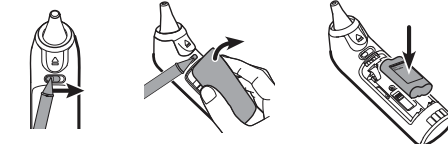
## Configuración del termómetro Braun ThermoScan® PRO

Si el sistema de pared está configurado para el termómetro Braun ThermoScan, siga estas instrucciones de configuración.

1. Extraiga el termómetro del embalaje. Después, abra una caja de cubiertas de sensor y colóquela en la base.



2. Retire la cubierta del termómetro, inserte la batería, reemplace la cubierta del termómetro y, después, coloque el termómetro en la base.



3. Antes de utilizarlo, cargue el termómetro Braun 24 horas.
4. Para cambiar de grados Celsius a Fahrenheit, consulte las instrucciones de uso del fabricante del termómetro.

- Nota** El termómetro Braun ThermoScan PRO 6000 no se carga durante la monitorización de ECG. Cuando la monitorización de ECG se detiene, el termómetro reanuda la carga automáticamente.

## Conexión a la fuente de alimentación de CA

El sistema de pared utiliza tanto una batería como la alimentación de CA. Una vez completadas otras actividades de configuración, puede suministrar alimentación al sistema de pared.

1. Inserte el enchufe de alimentación en una salida de alimentación del monitor para cargar la batería.



- Nota** Las baterías nuevas están cargadas sólo al 30 por ciento. Debe enchufar el sistema de pared a la alimentación de CA para cargar completamente la batería. No enchufe el cable de alimentación hasta que haya completado todos los pasos preliminares.

2. Proceda con el inicio.

## Inicio

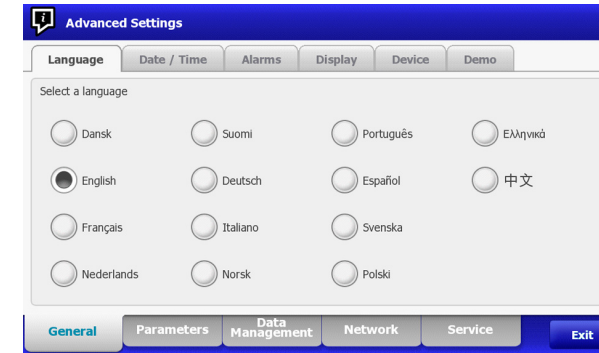
### Encendido dl sistema de pared

Pulse  para encender el sistema de pared.

### Selección de idioma

Cuando encienda el sistema de pared por primera vez, aparecerá la pantalla de selección de idioma.

1. Seleccione el idioma.



2. Toque **Salir**.

Aparecerá la pestaña Página de inicio.

### Definición de fecha y hora

1. Toque la pestaña **Ajustes**.
2. Toque la pestaña **Dispositivo**.
3. Para cambiar los valores de fecha y hora: Toque las teclas de flecha hacia arriba

y hacia abajo o  e introduzca un valor.

Repita el proceso para cada valor que desee cambiar.

- Nota** Los sellos de fecha y hora de las mediciones de paciente guardadas se ajustarán según los nuevos ajustes de fecha y hora.

### Ajuste de la configuración predeterminada

1. Toque la pestaña **Ajustes**.
2. Toque la pestaña **Dispositivo**.
3. Introduzca o ajuste la configuración que desee añadir o cambiar.

- Nota** La nueva configuración aparece conforme se completa, pero será temporal hasta que se guarde.


4. Toque **Guar como pred**.
5. Toque **Aceptar** para confirmar que desea sobrescribir sus ajustes anteriores y sustituirlos por los actuales en la configuración de inicio predeterminada. O toque **Cancelar** para conservar los ajustes anteriores.


Los nuevos ajustes se almacenan como los ajustes de inicio predeterminados una vez que reinicie el monitor.

- Nota** Si el sistema de pared está conectado a una red, los ajustes de fecha y hora se sincronizarán con los ajustes de la red.

- Nota** Las marcas de fecha y hora en las mediciones de paciente guardadas se ajustarán en respuesta a los nuevos ajustes de fecha y hora.

 Welch Allyn Inc.  
4341 State Street Road  
Skaneateles Falls, NY 13153 USA  
Tel. +1 800 535 6663 or +1 315 685 4560 • Fax. +1 315 685 3361  
www.welchallyn.com

 La Marca CE significa que el dispositivo ha satisfecho todos los requisitos esenciales de la Directiva europea relativa a dispositivos médicos 93/42/EEC.

 Representante de asuntos normativos, Welch Allyn Limited  
Navan Business Park, Dublin Road, Navan, County Meath, República de Irlanda

© 2017 Welch Allyn, Inc. Reservados todos los derechos. Welch Allyn no asume ninguna responsabilidad en relación con los daños personales, ni el uso ilegal o inadecuado de este producto, que pueda ocasionar la utilización de este producto en condiciones no conformes con las instrucciones, avisos, o advertencias publicado en este guía de inicio. Welch Allyn es una marca comercial registrada de Welch Allyn, Inc.

Fecha de revisión: 2017-05  
Welch Allyn Technical Support  
www.welchallyn.com/support

Configuration

**Mise en garde** Welch Allyn n'est pas responsable de l'intégrité des interfaces de montage mural. Welch Allyn recommande que vous contactiez votre Département Génie Biomédical ou le service de maintenance pour vous assurer de la fiabilité, la sécurité et l'installation professionnelle de tout accessoire de montage.

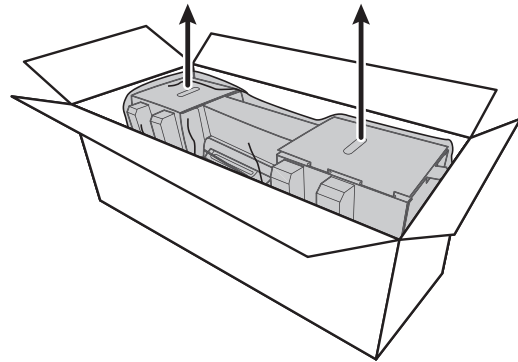
**Remarque** Certaines fonctionnalités de produits décrits dans cette publication pourraient ne pas être disponibles dans votre pays. Pour des informations à jour à propos des produits et fonctionnalités, veuillez appeler le Service à la clientèle Welch Allyn.

Déballer le système mural.

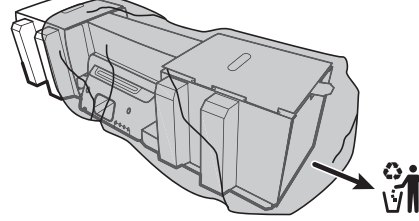
Cette procédure s'applique à la première configuration du système mural.

**Mise en garde** Veuillez suivre ces instructions à la lettre pour assurer votre sécurité et pour faciliter l'assemblage.  
**Mise en garde** Ne retirez pas le matériel d'emballage du système mural avant que les instructions ne le stipulent.

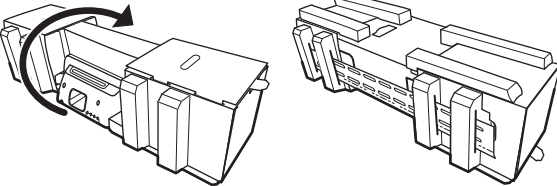
1. Hisser le système mural hors de la boîte à l'aide des poignées de carton.



2. Placez le système mural (toujours dans son matériel d'emballage) sur une table ou une surface plane et retirez-le du sac de plastique.



3. Retournez le système mural pour que l'arrière soit vers le haut.

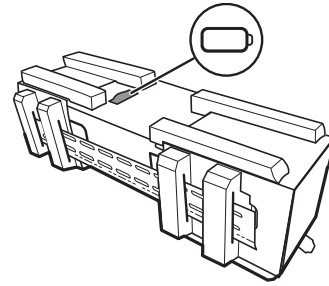


Insertion de la batterie

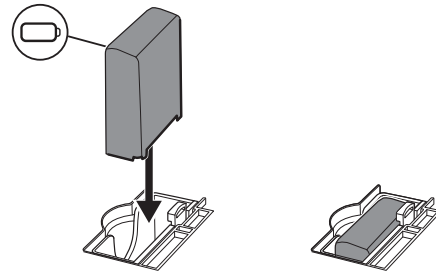
Cette procédure s'applique à la première configuration du système mural. Donc, le système mural doit être hors tension.

**AVERTISSEMENT** Risque d'incendie, d'explosion et de brûlures. Ne pas mettre en court-circuit, écraser, incinérer, ni démonter la batterie.

1. Replacer le couvercle du compartiment des piles, représenté par .

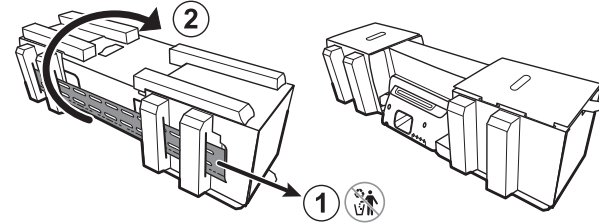


2. Insertion de la batterie. (La batterie se trouve dans un sac de plastique rose antistatique dans la boîte des accessoires.)

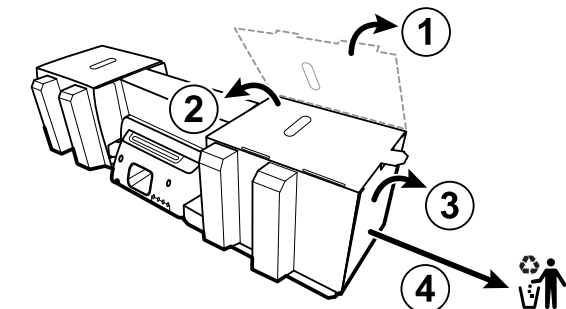


Préparation pour le montage

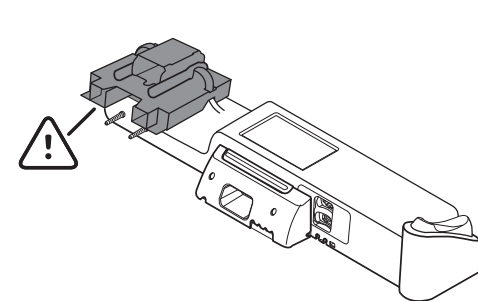
1. Sortez le support de montage de l'emballage et mettez-le de côté. Ne pas jeter. Puis retournez le système mural face vers le haut..



2. Retirer les bouts de cartons et le styromousse comme démontrer et mettre de côté pour le recyclage.

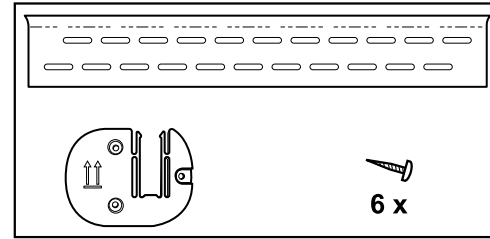


**Mise en garde** Ne pas retirer le carton assurant les poignées sur le côté gauche du système mural pour l'instant. Le carton empêche d'endommager ces instruments durant le montage.



Inventaire de quincaillerie de montage

Utilisez ces articles pour installer le système mural.



- Fixation de montage
- Fixation pour casier à accessoires
- Vis

Liste d'outils

Utilisez ces outils pour installer le système mural.

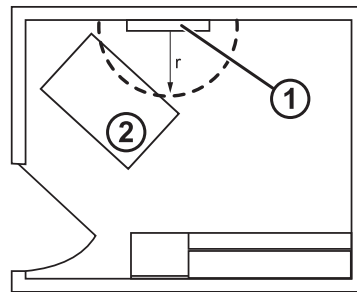
- tournevis Phillips no 2
- niveau
- ruban à mesurer
- localisateur de montants
- perceuse
- Meche de 1/8 po (3,17 mm) de diamètre

Emplacement de montage

Avant d'installer le système mural, prenez les recommandations suivantes en considération afin de choisir le meilleur emplacement :

- Fixez le système mural à des montants.
- Montez le système mural à portée de la prise d'alimentation secteur. Le cordon d'alimentation mesure 8 pi (2,44 m) de long.
- Evitez les endroits à éclairage vif.
- La tubulure de pression artérielle mesure 8 pi (2,44 m).
- Installez le système mural de façon à ce que tous les instruments soient accessibles, à un emplacement ergonomique.

Exemple d'aménagement de pièce



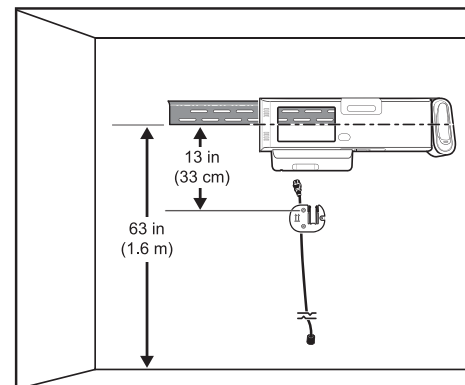
1. Connex Integrated Wall System
2. Table d'examen

Monter le système mural.

1. Sur le mur choisi, trouvez et marquez les montants, et choisissez la hauteur du système et la hauteur correspondante pour le support de montage.

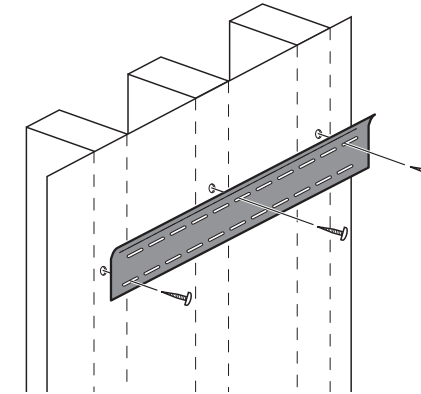
**Recommandation :** Placez le support de montage à 63 po (1,6 m) du sol, ce qui place le centre de l'écran à une hauteur approximative de 63 po (1,6 m) du sol.

**Mise en garde** Cette illustration démontre la relation des supports de montage entre eux et le système mural **après** que vous ayez complété les instructions de montage. Ne pas placer le système mural sur le mur avant d'avoir complété l'ensemble des étapes préliminaires.

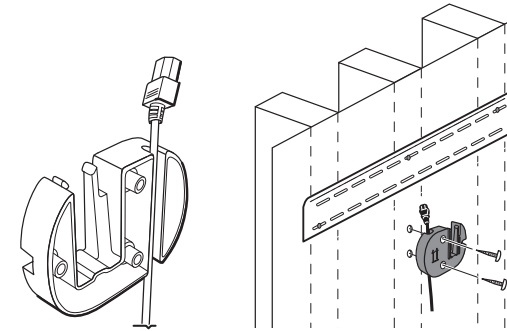


2. Apposez le support de montage à trois montants à la hauteur choisie en utilisant les vis disponibles (des ancrages sont fournis pour un support additionnel).

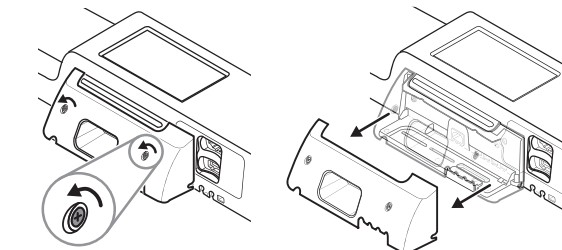
**Mise en garde** Assurez-vous que la « lèvre » supérieur du support s'écarte du mur et que le support soit à niveau.



3. Acheminez le cordon d'alimentation dans le canal à l'arrière du casier d'accessoires, puis montez le support sur le montant central au moins 13 po (33 cm) sous le support de montage.

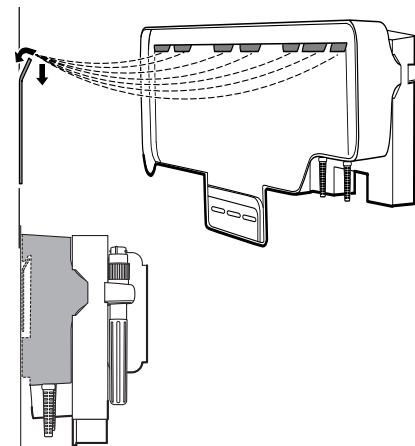


4. Avant de monter le système mural, retirer le couvercle en relâchant les vis de rétention.



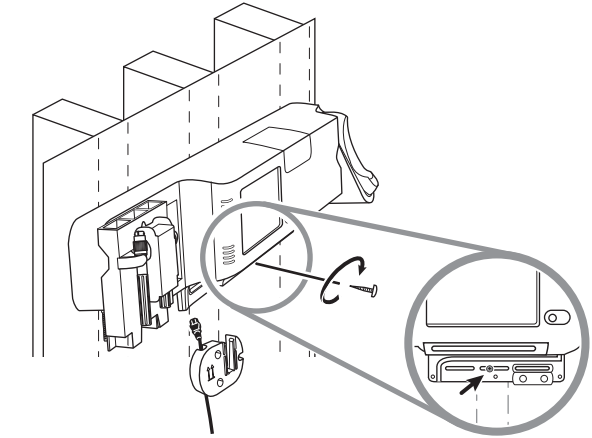
5. Pendre le système mural par le support de montage.

**AVERTISSEMENT** S'assurer que les nervures à l'arrière du système mural s'engagent sur le support de montage. Le système mural devrait être à niveau et bien aligné au mur.

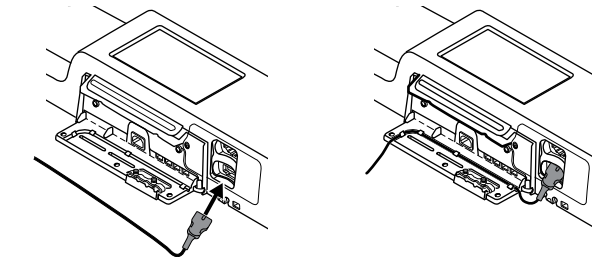


6. Choisissez une des trois ouvertures disponibles au bas de l'unité chevauchant un montant, et assurez l'unité au montant avec la vis restante.

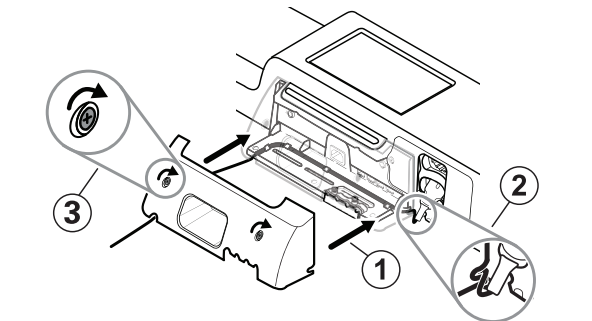
**AVERTISSEMENT** L'omission de l'installation de cette vis de sécurité pourrait entraîner une blessure personnelle et l'endommagement de l'équipement.



7. Si l'unité murale est configurée pour la SpO2, brancher le câble SpO2 et l'acheminer à travers le canal au-dessus de la vis de sécurité que vous venez d'installer.

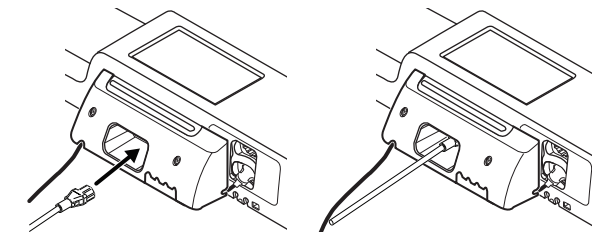


8. Remplacez le couvercle.  
 a. Passez le câble SpO2 à travers des ouvertures sur la droite en haut et la gauche en bas du couvercle.



b. Resserrer les deux vis de maintien.

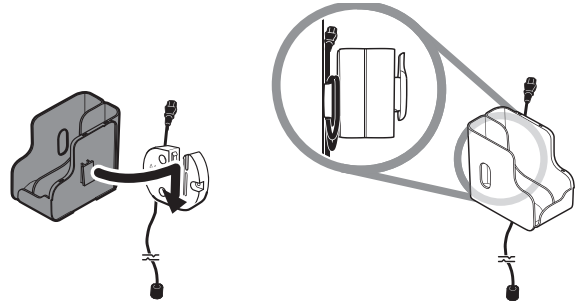
9. Attacher le cordon d'alimentation du système à l'unité murale. Ne pas brancher le cordon à une prise pour l'instant.



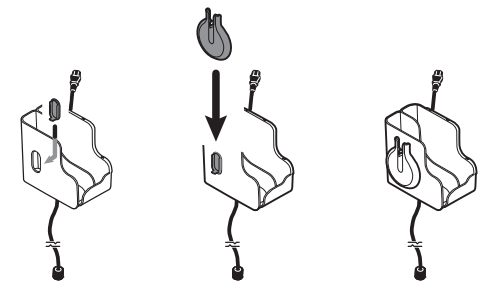


## Fixer le casier à accessoires

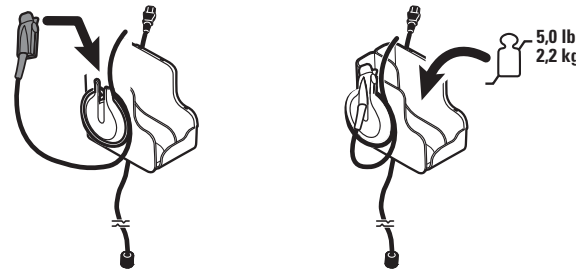
1. Fixer le casier à accessoires au support du casier à accessoires, puis enroulez l'excès du cordon d'alimentation autour du support du casier à accessoires.



2. Si votre système mural est configuré pour la SpO2, attachez la bobine SpO2 en insérant la bobine dans la pince de maintien.



3. Orientez et insérer correctement le capteur SpO2 dans le connecteur du câble patient. (Vous venez de connecter le bout opposé du câble du capteur au système mural.) Assurez-vous que le câble du capteur est complètement inséré, puis fermez le couvercle protecteur. (Voir le mode d'emploi du fabricant du capteur.)
4. Enroulez l'excédant du câble patient SpO2 autour de la bobine, et placez la pince à doigt SpO2 dans le support SpO2.

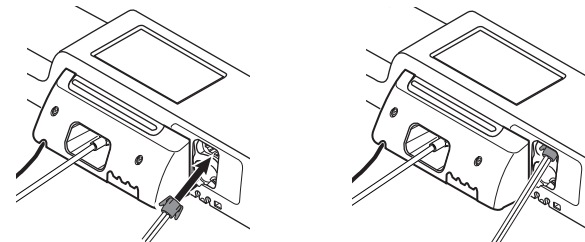


5,0 lb  
2,2 kg

Charge maximum utile

## Brancher le tuyau de pression artérielle (PNI)

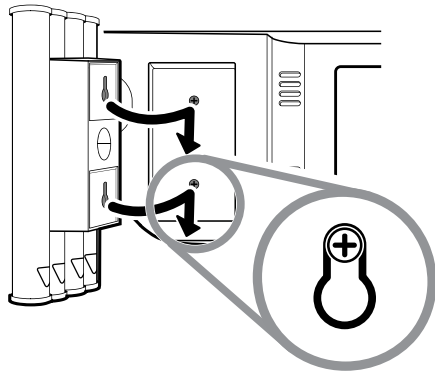
1. Aligner le connecteur de tuyau avec le port de connecteur de tuyau situé sur le bas du moniteur.
2. Insérez le connecteur du tuyau et enfoncez-le jusqu'à ce qu'il soit en place (vous devez entendre un déclic).



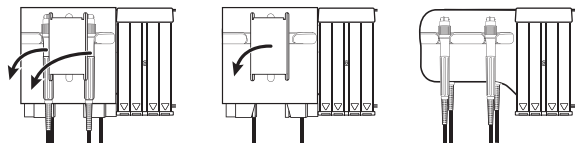
3. Fixer un brassard à pression artérielle au tuyau (voir l'instruction d'utilisation du fabricant du brassard), puis placer le brassard dans le casier à accessoires.

## Installez les manches d'instruments d'examen physique et le distributeur de spéculums

1. Fixez le distributeur de spéculums. Assurez-vous que les ouvertures de verrouillage à l'arrière du distributeur s'engage sur les vis de verrouillage sur le système mural, puis appuyez fermement vers le bas.



2. Retirez le carton assurant les manches d'instruments.



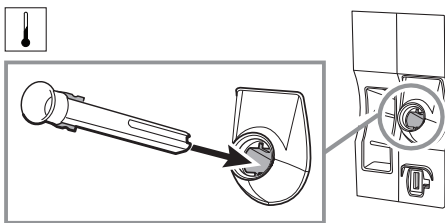
3. Attachez les têtes d'instruments 3,5V Welch Allyn de votre choix aux manches. Voir le mode d'emploi pour chaque tête d'instrument.

## Configurez le thermomètre SureTemp® Plus

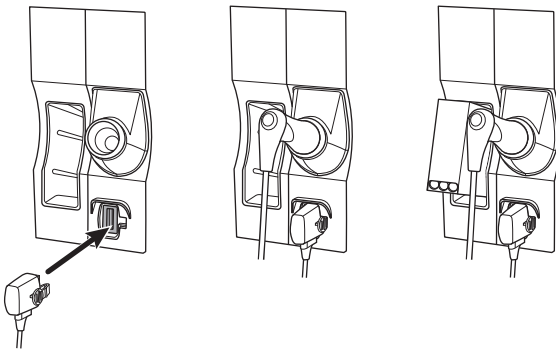
Si votre système est configuré pour le thermomètre SureTemp Plus, suivez ces instructions de démarrage.

1. Alignez le puits de sonde sur les languettes en face et en bas et insérez-le ensuite dans le module de température.

Le puits de sonde est correctement installé lorsque vous entendez un déclic.



2. Maintenez le connecteur du câble de la sonde de température à l'aide de la languette à ressort située à droite et insérez-le dans le port de sonde du module de température. Enfoncez-le jusqu'à entendre un déclic.
3. Insérez la sonde de température dans le puits de sonde.
4. Ouvrez une boîte d'embouts de sonde et placez-les dans le support à boîte d'embouts de sonde.

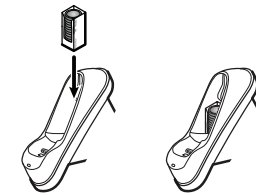
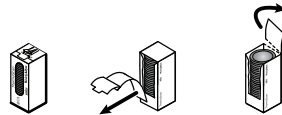


**Remarque** Les boîtes supplémentaires peuvent être rangées dans le compartiment au haut du système mural.

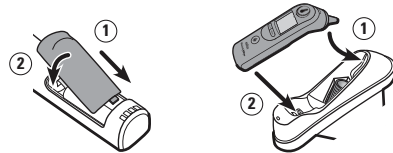
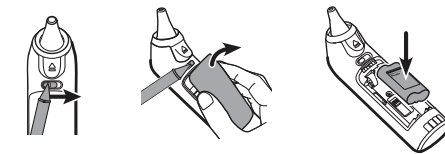
## Configurez le thermomètre Braun ThermoScan® PRO

Si votre système est configuré pour le thermomètre Braun ThermoScan, suivez ces instructions de démarrage.

1. Retirez le thermomètre de l'emballage. Puis ouvrez une boîte d'embouts de sonde et placez-les dans la base-support.



2. Retirez le capuchon du thermomètre, insérez la batterie, remplacez le capuchon, puis placez le thermomètre dans la base-support.



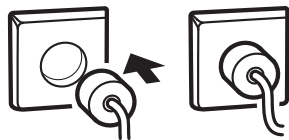
3. Chargez le thermomètre Braun pendant 24 heures avant l'utilisation.
4. Pour basculer entre les degrés Celsius et Fahrenheit, consultez les instructions d'utilisation du fabricant du thermomètre.

**Remarque** Le thermomètre Braun ThermoScan PRO 6000 ne se recharge pas au cours de la surveillance ECG. Lorsque celle-ci s'arrête, le thermomètre se remet automatiquement en charge.

## Connexion de l'alimentation CA

Le système mural utilise à la fois la batterie et l'alimentation CA. Une fois toutes les autres activités de configuration exécutées, vous pouvez fournir l'alimentation au système mural.

1. Insérez le branchement d'alimentation dans la prise pour alimenter le moniteur et pour charger la batterie.



**Remarque** Les batteries neuves ne sont chargées qu'à 30 pour cent. Vous devez brancher le système mural à l'alimentation CA pour charger complètement la batterie. Ne pas brancher le cordon d'alimentation avant d'avoir complété l'ensemble des étapes préliminaires.

2. Procédez au démarrage.

## Démarrage

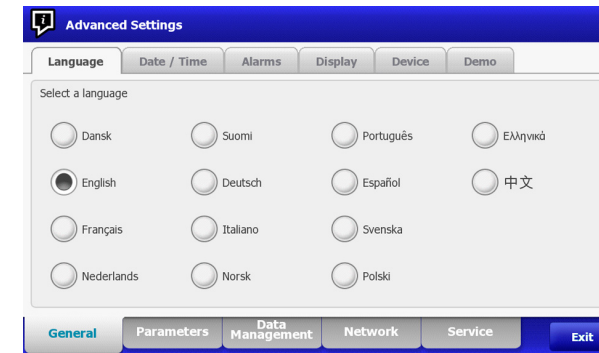
### Mise sous tension du moniteur

Appuyez sur pour mettre le moniteur sous tension.

### Sélection langue :

Lorsque vous mettez le système mural sous tension pour la première fois, la sélection de langue apparaît.

1. Sélection langue :



2. Effleurez le bouton **Sortie**.

L'onglet Menu principal apparaît.

### Réglage de la date et de l'heure

1. Effleurez l'onglet **Paramètres**.
2. Effleurez l'onglet **Appareil**.
3. Pour modifier les valeurs de date et heure, procédez comme suit : Effleurez les

touches haut et bas ou et entrez une valeur.

Répétez l'opération pour chaque valeur que vous souhaitez modifier.

**Remarque** Les informations d'horodatage (date et heure) présentes sur les relevés de patients enregistrés sont adaptées en fonction des nouveaux réglages de date et heure.

### Définition de la configuration par défaut

1. Effleurez l'onglet **Paramètres**.
2. Effleurez l'onglet **Appareil**.
3. Entrez ou ajustez les paramètres que vous souhaitez ajouter ou modifier.

**Remarque** Les nouveaux paramètres apparaissent comme s'ils étaient validés, mais sont temporaires tant qu'ils n'ont pas été enregistrés.

4. Effleurez **Enreg. en val. p. déf.**
5. Effleurez le bouton **OK** pour confirmer que vous voulez remplacer les anciens paramètres par vos paramètres actuels dans la configuration de démarrage par défaut. Sinon, effleurez **Annuler** pour conserver les anciens paramètres.

Les nouveaux paramètres sont enregistrés en tant que paramètres de démarrage par défaut au redémarrage du moniteur.

**Remarque** Si le moniteur est connecté au réseau, les paramètres de date et heure sont synchronisés sur les paramètres du réseau.

**Remarque** Les informations d'horodatage (date et heure) présentes sur les relevés de patients enregistrés sont adaptées en fonction des nouveaux réglages de date et heure.

Welch Allyn, Inc.  
4341 State Street Road  
Skaneateles Falls, NY 13153 USA  
Tel. +1 800 535 6663 or +1 315 685 4560 • Fax. +1 315 685 3361  
www.welchallyn.com

L'estampille CE indique que l'appareil a satisfait à l'ensemble des principales exigences de la Directive européenne 93/42/CEE.

Représentant des affaires réglementaires, Welch Allyn Limitée  
Navan Business Park, Dublin Road, Navan, County Meath, République d'Irlande

© 2017 Welch Allyn, Inc. Tous droits réservés. Welch Allyn décline toute responsabilité pour les dommages corporels subis par quiconque ou pour les usages illicites ou impropres pouvant entraîner une incapacité à utiliser ce produit conformément aux instructions, mises en garde, ou avertissements inclus dans ce guide de démarrage. Welch Allyn est une marque déposée commerciale de Welch Allyn, Inc.

Date de révision : 2017-05  
Welch Allyn Technical Support  
www.welchallyn.com/support



**Welch Allyn Connex® Integrated Wall System**

**Startanleitung**

**DEUTSCH**

**Setup**

**Achtung** Welch Allyn haftet nicht für die Integrität etwaiger Wandbefestigungsadapter. Welch Allyn empfiehlt, sich an die Biomedizintechnik-Abteilung oder Ihren Wartungsdienst zu wenden, um die fachgerechte Installation und somit auch die Sicherheit und Zuverlässigkeit der montierten Zubehörteile zu gewährleisten.

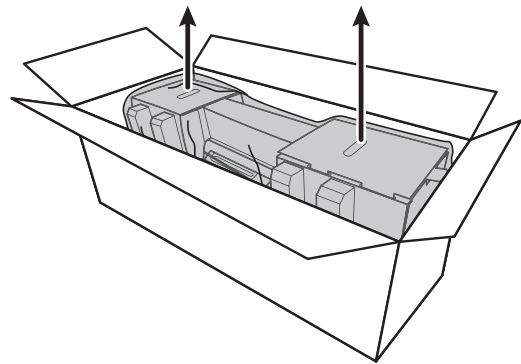
**Hinweis** Möglicherweise sind in Ihrem Land nicht alle der in dieser Publikation beschriebenen Funktionen verfügbar. Die neuesten Informationen zu Produkten und Funktionen erhalten Sie beim Welch Allyn-Kundenservice.

**Wandsystem auspacken**

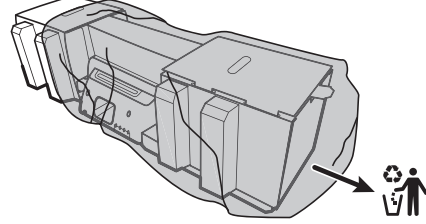
Diese Anleitung bezieht sich auf die erstmalige Einrichtung des Wandsystems.

**Achtung** Die vorliegenden Anweisungen sind genau zu befolgen, um die Sicherheit und die problemlose Montage zu gewährleisten.  
**Achtung** Verpackungsmaterial, mit dem das Wandsystem geschützt ist, erst entfernen, wenn Sie dazu aufgefordert werden.

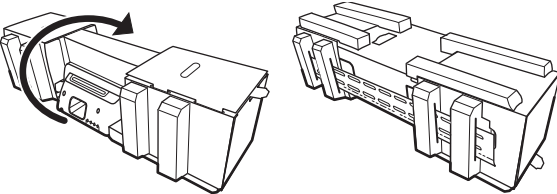
1. Das Wandsystem an den Kartongriffen aus dem Karton heben.



2. Das Wandsystem im noch verpackten Zustand auf einen Tisch oder eine ebene Fläche legen und es aus dem Kunststoffbeutel herausnehmen.




3. Das Wandsystem umdrehen, so dass seine Rückseite nach oben zeigt.

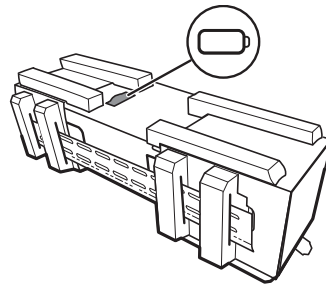


**Akku einlegen**

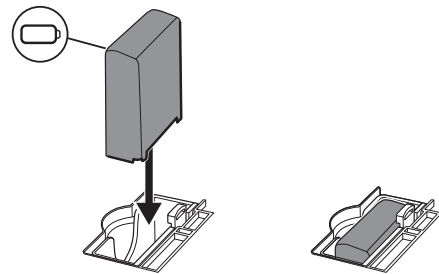
Diese Anleitung bezieht sich auf die erstmalige Einrichtung des Wandsystems. Daher wird davon ausgegangen, dass das Wandsystem ausgeschaltet ist.

**WARNUNG** Brand- und Explosionsgefahr, Gefahr von Verbrennungen. Akku nicht kurzschließen, quetschen, verbrennen oder auseinandernehmen.

1. Das Akkufach ist mit dem Symbol  gekennzeichnet.

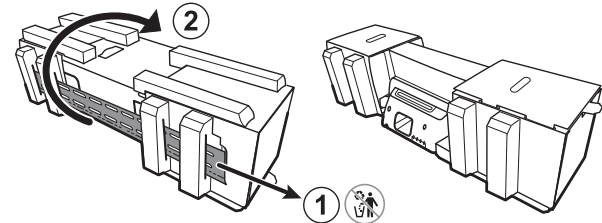


2. Akku einlegen. (Der Akku befindet sich in einer rosafarbenen Antistatikhülle im Zubehörkarton.)

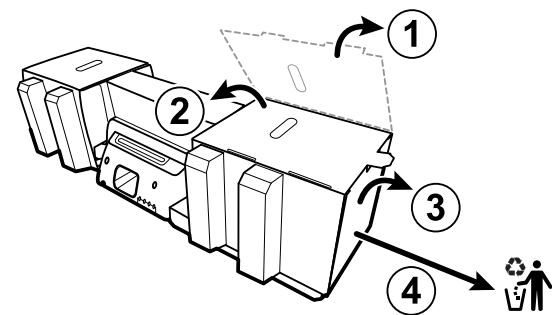


**Vorbereiten der Montage**

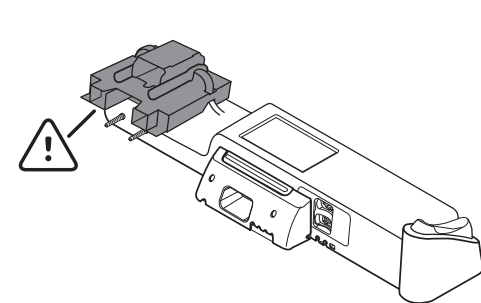
1. Die Montagewinkelschiene auspacken und beiseitelegen. Nicht wegwerfen. Anschließend das Wandsystem auf seine Rückseite legen.



2. Die Karton-Endkappen wie abgebildet entfernen und zum Recycling beiseitelegen.

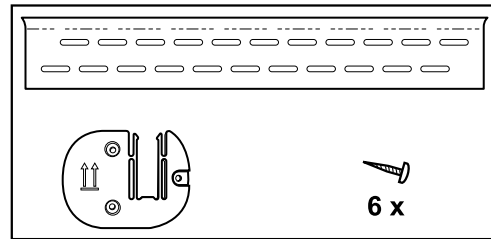


**Achtung** Den Karton zum Schutz der Griffe auf der linken Seite des Wandsystems jetzt noch nicht abnehmen. Der Karton dient als Schutz vor Beschädigung dieser Instrumente bei der Montage.



**Benötigte Kleinteile**

Verwenden Sie zum Befestigen des Wandsystems die nachfolgenden Teile.



- Befestigungswinkelschiene
- Schiene für Zubehörfach
- Schrauben

**Werkzeugliste**

Verwenden Sie zum Befestigen des Wandsystems die nachfolgenden Werkzeuge.

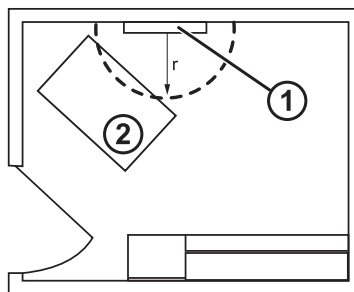
- Kreuzschlitz-Schraubendreher der Größe 2
- Wasserwaage
- Bandmaß
- Balkenfinder
- Bohrer
- Bohreinsatz 1/8 Zoll (3,17 mm)

**Anbringungsort**

Beachten Sie die nachfolgenden Empfehlung zum Ermitteln des besten Montageorts für das Wandsystem:

- Wandsystem an Balken befestigen.
- Wandsystem innerhalb der Reichweite der Netzsteckdose befestigen. Das Netzkabel hat eine Länge von 2,44 m.
- Hell beleuchtete Bereiche vermeiden.
- Der Blutdruckschlauch hat eine Länge von 2,44 m.
- Das Wandsystem so positionieren, dass alle Instrumente zugänglich sind und der Montageort die ergonomische Durchführung von Untersuchungen erlaubt.

**Beispiel für Raumgrundriss**



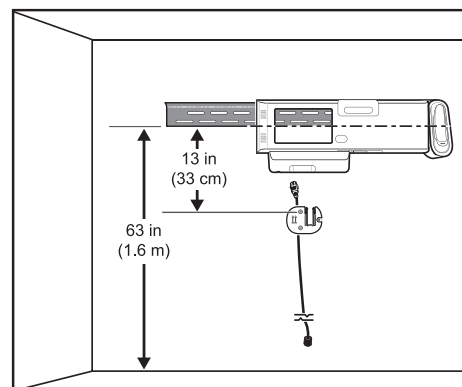
1. Connex Integrated Wall System
2. Untersuchungstisch

**Wandsystem anbringen**

1. An der zur Anbringung ausgewählten Wand die Balken finden und kennzeichnen sowie die Systemhöhe und die entsprechende Höhe für die Wandmontagewinkelschiene auswählen.

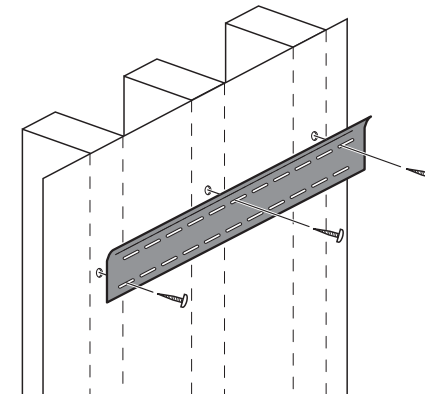
**Empfehlung:** Die Montagewinkelschiene in 1,6 m Höhe vom Fußboden befestigen, wodurch die Bildschirmmitte in einer Höhe von ca. 1,6 m vom Fußboden platziert wird.

**Achtung** Diese Zeichnung zeigt die physischen Zusammenhänge der Befestigungswinkel zueinander und zum Wandsystem, **nachdem** Sie die Montageanleitung abgeschlossen haben. Das Wandsystem erst der Wand anbringen, nachdem alle vorbereitenden Schritte durchgeführt wurden.

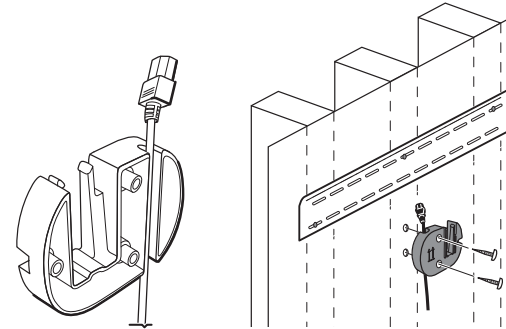


2. Die Montagewinkelschiene an drei Balken in der ausgewählten Höhe mithilfe der verfügbaren Schrauben befestigen (für zusätzliche Unterstützung sind Anker beigelegt).

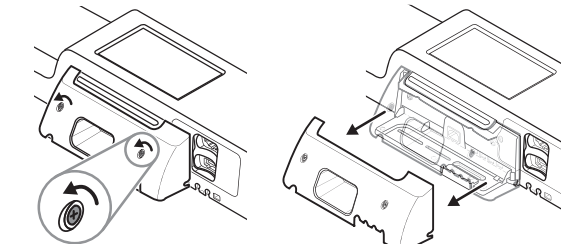
**Achtung** Sicherstellen, dass die obere „Lippe“ des Winkels aus der Wand hervorsteht und der Winkel waagrecht ist.



3. Das Netzkabel durch den Kanal auf der Rückseite des Zubehörfachs führen, dann den Winkel am mittleren Balken mindestens 33 cm unter der Montagewinkelschiene anbringen.

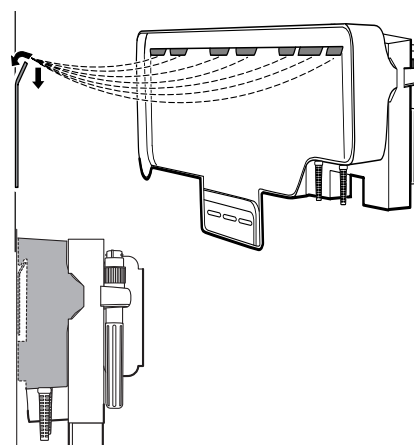


4. Vor Befestigen des Wandsystems, die Abdeckung durch Lösen der unverlierbaren Befestigungsschrauben abnehmen.



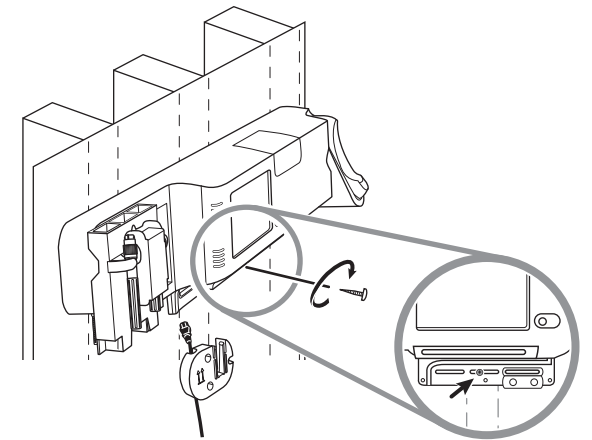
5. Das Wandsystem in die Montagewinkelschiene einhängen.

**WARNUNG** Sicherstellen, dass die „Rippen“ auf der Rückseite des Wandsystems vollständig in die Montagewinkelschiene eingreifen. Das Wandsystem sollte waagrecht und bündig mit der Wand angebracht sein.

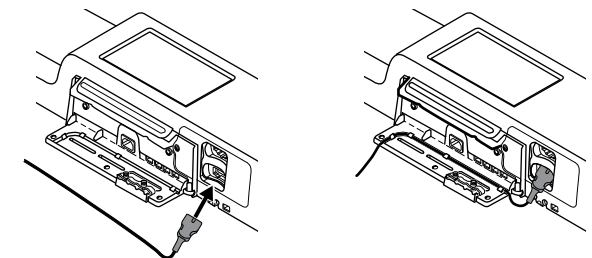


6. An der Unterseite der Einheit einen der drei verfügbaren Schlitze auswählen, der über einen Balken ragt, und die Einheit mit der verbleibenden Schraube am Balken befestigen.

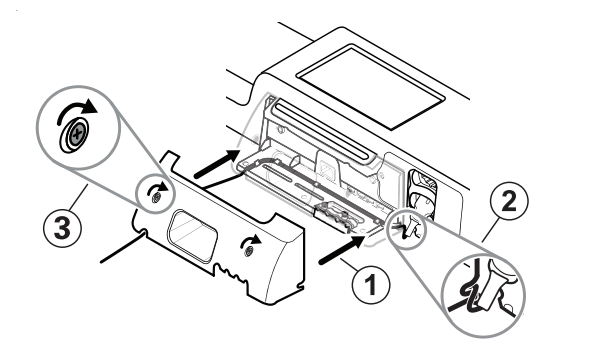
**WARNUNG** Nichtanbringung der Sicherheitsschraube kann zu Verletzungen und Geräteschäden führen.



7. Falls die Wandeinheit für SpO2 konfiguriert ist, das SpO2-Sensorkabel anschließen und durch den Kanal oberhalb der gerade angebrachten Sicherheitsschraube führen.

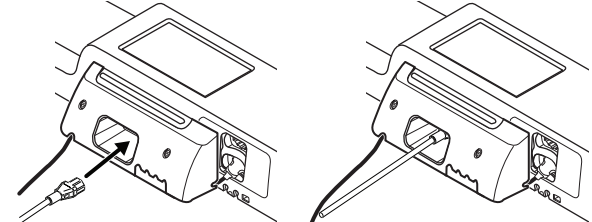


8. Abdeckung wieder anbringen.  
 a. Das SpO2-Kabel durch die Ausschnitte auf der rechten und linken unteren Seite der Abdeckung führen.



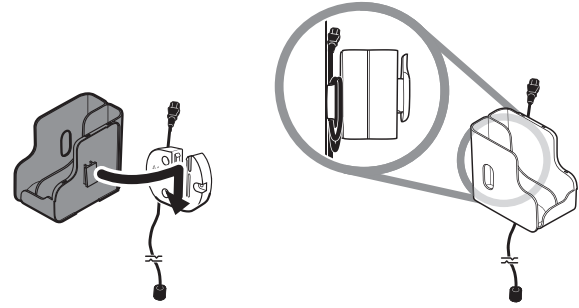
b. Die beiden Befestigungsschrauben festziehen.

9. Das Systemnetzkabel an der Wandeinheit anbringen. Das Kabel noch nicht in die Netzsteckdose stecken.

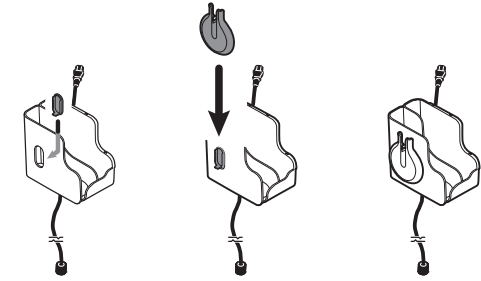


## Zubehörfach anbringen

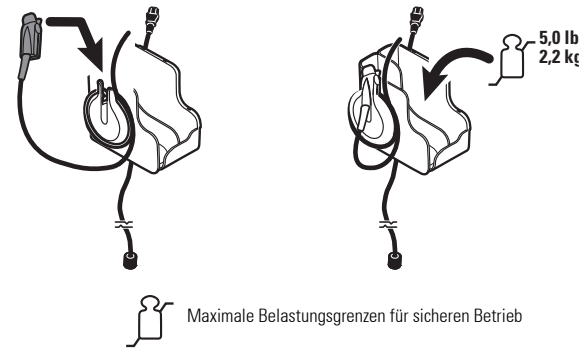
- Das Zubehörfach auf dem dafür vorgesehenen Winkel befestigen, anschließend das überflüssige Netzkabel um den Zubehörfachwinkel wickeln.



- Falls Ihr Wandsystem für SpO2 konfiguriert ist, die SpO2-Spule am Zubehörfach anbringen, indem diese auf die Halteklammer gestülpt wird.



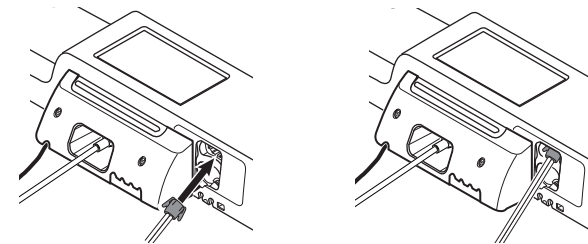
- Das SpO2-Sensorkabel richtig ausrichten und in den Patientenkabelanschluss einsetzen. (Das entgegengesetzte Ende des Sensorkabels wurde gerade am Wandsystem angeschlossen.) Sicherstellen, dass das Sensorkabel vollständig eingesteckt ist, danach die Schutzabdeckung schließen. (Siehe Gebrauchsanweisung des Sensorherstellers.)
- Das überschüssige SpO2-Patientenkabel um die Spule wickeln und den SpO2-Fingerclip in den SpO2-Halter setzen.



Maximale Belastungsgrenzen für sicheren Betrieb

## Blutdruckschlauch (NIBP) anschließen

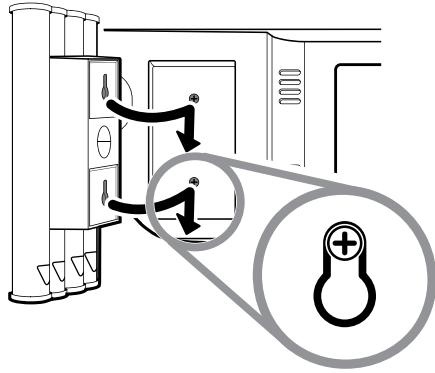
- Der Schlauchanschluss befindet sich an der Unterseite des Monitors.
- Schlauchstecker in den Schlauchanschluss einführen und festdrücken, bis er einrastet.



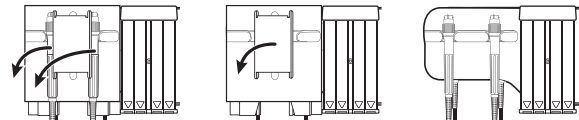
- Eine Blutdruckmanschette am Schlauch anbringen (siehe Gebrauchsanweisung des Manschettenherstellers) und die Manschette dann im Zubehörfach aufbewahren.

## Griffe für Untersuchungsinstrumente und Spekula-Spender einrichten

- Den Spekula-Spender anbringen. Sicherstellen, dass die Verriegelungsschlitzte auf der Rückseite des Spenders in die Verriegelungsschrauben des Wandsystems eingreifen, und dann kräftig nach unten drücken.



- Den Karton zum Schutz der Instrumentengriffe abnehmen.



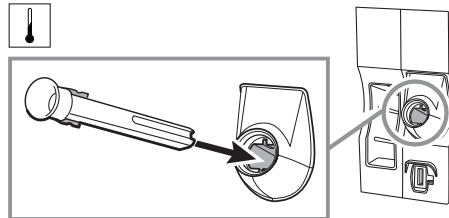
- Befestigen Sie die gewünschten Welch Allyn 3,5V-Instrumentenköpfe an den Griffen. Beachten Sie die Gebrauchsanweisung des betreffenden Instrumentenkopfes.

## Das SureTemp® Plus Thermometer einrichten

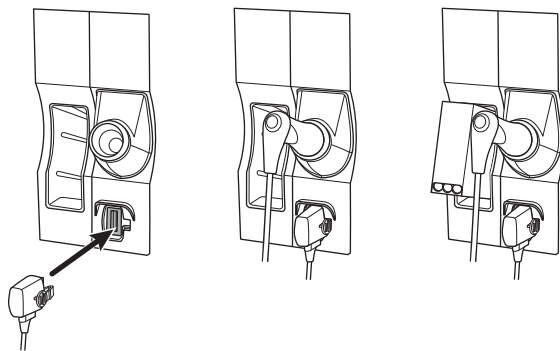
Falls Ihr Wandsystem für ein SureTemp Plus Thermometer konfiguriert ist, beachten Sie die nachfolgenden Einrichtungsanleitungen.

- Sondenhalter mit den Nasen nach oben und unten in das Temperaturmodul einführen.

Der Sondenhalter rastet in seiner Position ein.



- Stecker des Temperatursondenkabels mit der Federzunge nach rechts in den Sondenanschluss des Temperaturmoduls einführen. Stecker festdrücken, bis er einrastet.
- Temperatursonde in den Sondenhalter einführen.
- Eine Schachtel mit Sondenhüllen öffnen und die dafür vorgesehene Halterung setzen.

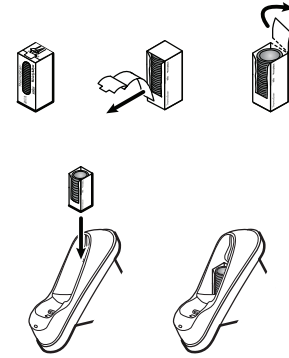


**Hinweis** Lagern Sie unbenutzte Sondenhüllenboxen im Aufbewahrungsabteil auf der Oberseite des Wandsystems.

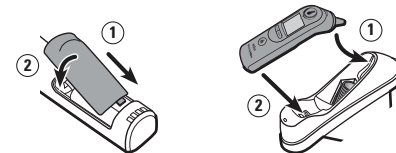
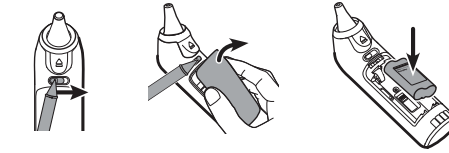
## Braun ThermoScan® PRO Thermometer einrichten

Falls Ihr Wandsystem für das Braun ThermoScan Thermometer konfiguriert ist, beachten Sie die nachfolgenden Einrichtungsanleitungen.

- Nehmen Sie das Thermometer aus der Packung. Dann eine Schachtel mit Sondenhüllen öffnen und in die Station stellen.



- Die Thermometerabdeckung abnehmen, den Akku einlegen, die Thermometerabdeckung wieder anbringen und das Thermometer in die Station setzen.



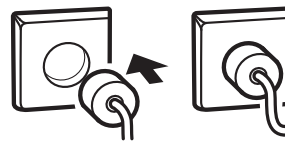
- Laden Sie das Braun Thermometer vor der Verwendung 24 Stunden lang auf.
- Beachten Sie die Gebrauchsanleitung des Thermometerherstellers zum Umschalten von Celsius auf Fahrenheit.

**Hinweis** Das Braun Thermometer ThermoScan PRO 6000 wird während der EKG-Überwachung nicht aufgeladen. Bei Beendigung der EKG-Überwachung wird der Ladevorgang des Thermometers automatisch fortgesetzt.

## Netzspannung anschließen

Die Stromversorgung des Wandsystems erfolgt sowohl mit Akku als auch Netzspannung. Nach Abschluss aller anderen Einrichtungsschritte können Sie das Wandsystem mit Strom versorgen.

- Netzstecker in eine Netzsteckdose einstecken, um den Monitor zu betreiben und den Akku aufzuladen.



**Hinweis** Neue Akkus sind nur zu 30 Prozent geladen. Zum vollständigen Laden des Akkus muss das Wandsystem an die Netzstromversorgung angeschlossen werden. Das Netzkabel erst anschließen, nachdem Sie alle vorbereitenden Schritte durchgeführt haben.

- Weiter mit Inbetriebnahme.

## Inbetriebnahme

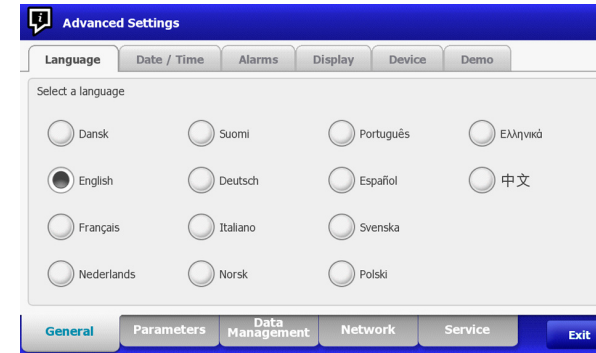
### Wandsystem einschalten.

Wandsystem durch Drücken von  einschalten.

### Sprache auswählen

Beim ersten Einschalten des Wandsystems wird der Bildschirm zur Sprachauswahl angezeigt.

- Wählen Sie Ihre Sprache aus.




- Taste **Beenden** berühren.

Die Registerkarte „Home“ wird angezeigt.

### Datum und Uhrzeit einstellen

- Registerkarte **Einstell.** berühren.
- Registerkarte **Gerät** berühren.
- Zum Ändern der Datums- und Uhrzeitwerte die Pfeiltasten nach oben und nach

unten berühren oder  berühren und einen Wert eingeben.

Diesen Schritt für jeden Wert wiederholen, der geändert werden soll.

**Hinweis** Datums- und Zeitstempel gespeicherter Patientenmessungen werden beim Ändern der Datums- und Zeiteinstellungen angepasst.

### Standardkonfiguration festlegen

- Registerkarte **Einstell.** berühren.
- Registerkarte **Gerät** berühren.
- Die gewünschten Einstellungen hinzufügen oder anpassen.

**Hinweis** Die neuen Einstellungen werden bei der Eingabe angezeigt, treten aber erst beim Speichern endgültig in Kraft.


- Als Standard speichern** berühren.
- OK** berühren, um das Überschreiben der bisherigen Einstellungen in der Standardkonfiguration mit den aktuellen Einstellungen zu bestätigen. Oder **Abbrechen** berühren, um die bisherigen Einstellungen beizubehalten.

Die neuen Einstellungen werden als Standardeinstellungen in der Startkonfiguration des Monitors gespeichert.

**Hinweis** Wenn Ihr Wandsystem an ein Netzwerk angeschlossen ist, werden die Datums- und Uhrzeiteinstellungen mit den Netzwerkeinstellungen synchronisiert.

**Hinweis** Datums- und Zeitstempel gespeicherter Patientenmessungen werden beim Ändern der Datums- und Zeiteinstellungen angepasst.

 Welch Allyn Inc.  
4341 State Street Road  
Skaneateles Falls, NY 13153 USA  
Tel. +1 800 535 6663 oder +1 315 685 4560 • Fax. +1 315 685 3361  
www.welchallyn.com

 Das CE-Zeichen bedeutet, dass das Gerät alle wesentlichen Anforderungen der europäischen Richtlinie über Medizinprodukte 93/42/EWG erfüllt.

 Zulassungsbeauftragter, Welch Allyn Limited  
Navan Business Park, Dublin Road, Navan, County Meath, Republik Irland

© 2017 Welch Allyn, Inc. Alle Rechte vorbehalten. Welch Allyn übernimmt keine Verantwortung für Personenschäden oder für jegliche unbefugte oder falsche Verwendung des Produkts, die resultieren können, wenn das Produkt nicht gemäß den in dieser Startanleitung enthaltenen Anweisungen, Vorsichtsmaßnahmen oder Warnungen verwendet wird. Welch Allyn ist eine eingetragene Marke von Welch Allyn, Inc.

Version vom 2017-05  
Welch Allyn Technical Support  
www.welchallyn.com/support



**Welch Allyn Connex® Integrated Wall System**  
Starthandbok.

**SVENSKA**

**Inställningar**



**Försiktighet** Welch Allyn ansvarar inte för integriteten hos något väggmonterat gränssnitt. Welch Allyn rekommenderar att du kontakter din medicinska avdelning eller avdelning för service/underhåll för att garantera en säker och tillförlitlig installation av tillbehör.

**Anm.** Vissa produkter som beskrivs i den här publikationen kanske inte är tillgängliga i ditt land. Om du vill ha den senaste informationen om produkter och funktioner ber vi dig kontakta Welch Allyn's kundtjänst.

**Packa upp väggssystemet**

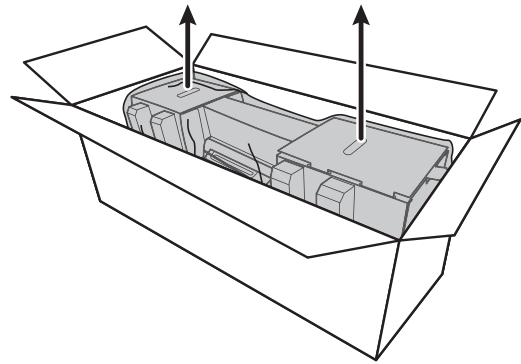
Den här proceduren avser den första installationen av väggssystemet.



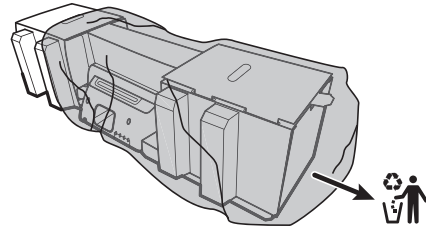
**Försiktighet** Du måste följa dessa instruktioner exakt för att garantera en säker och enkel montering.

**Försiktighet** Avlägsna inget förpackningsmaterial runt väggssystemet förrän instruktionerna anger det.

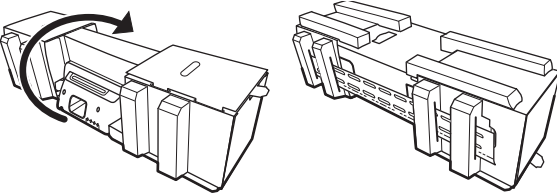
1. Lyft upp väggssystemet ur lådan i kartonghandtagen.



2. Behåll förpackningsmaterialet runt väggssystemet, placera det på ett bord eller en flat arbetsyta och avlägsna sedan plastpåsen.



3. Vänd på väggssystemet så att baksidan är vänd uppåt.



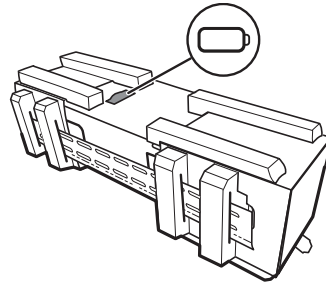
**Sätta i batteriet**

Den här proceduren avser den första installationen av väggssystemet. Väggssystemet antas därför vara avstängt.

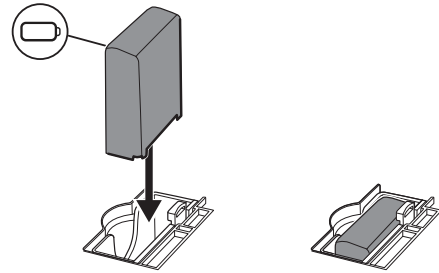


**WARNING!** Risk för brand, explosion och brännskador. Batteripaketet får inte kortslutas, krossas, brännas eller demonteras.

1. Leta reda på batterifacket, som anges av .

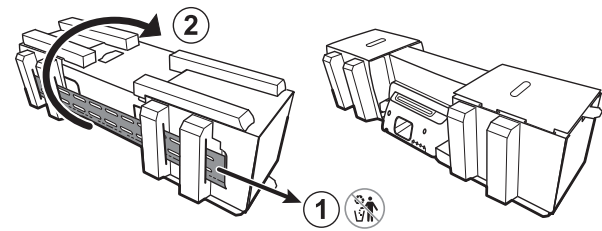


2. Sätt i batteriet. (Batteriet ligger i en rosa antistatisk påse i tillbehörlådan.)

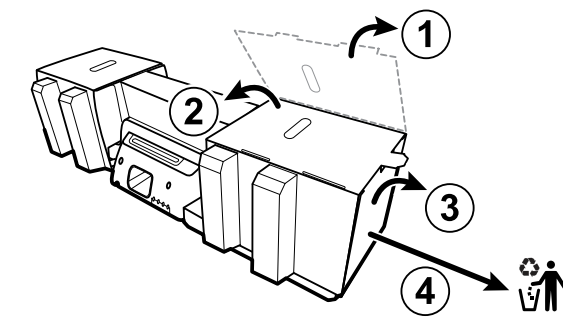


**Förberedelser för montering**

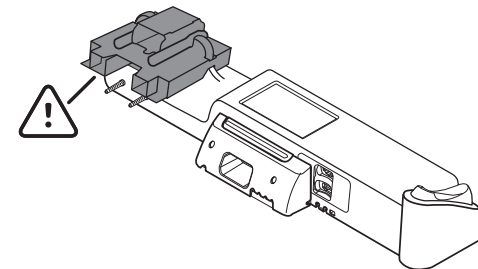
1. Skjut ut rälsfästet ur förpackningen och lägg det åt sidan. Kasta det inte. Vänd sedan väggssystemet så att baksidan ligger neråt.



2. Avlägsna sidostyckena i kartong enligt bilden och lägg dem åt sidan för återvinning.

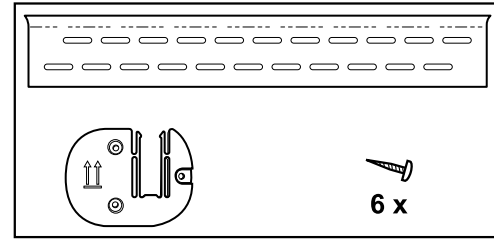


**Försiktighet** Avlägsna inte kartongen som säkrar handtagen på den vänstra sidan av väggssystemet än. Kartongen förhindrar att instrumenten skadas under monteringen.



**Lista över monteringsutrustning**

Använd dessa produkter för att fästa väggssystemet.



- Rälsfäste
- Fäste för tillbehörskorg
- Skruvar

**Verktygslista**

Använd dessa verktyg för att fästa väggssystemet.

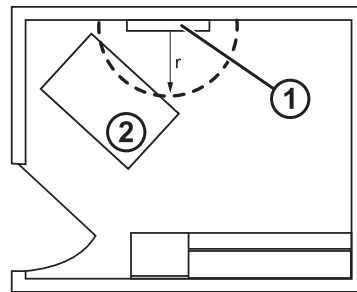
- #2 stjärnskruvmejsel
- vattenpass
- måttband
- regeldetektor
- borr
- borrarbits 1/8-tum (3,17 mm) i diameter

**Monteringsställe**

Tänk på följande rekommendationer innan du monterar väggssystemet för att hitta det bästa monteringsstället:

- Montera väggssystemet mot regler.
- Montera väggssystemet inom räckhåll från ett vägguttag. Elkabeln är 2,44 m (8 fot) lång.
- Undvik platser med stark belysning.
- Blodtrycksslangen är 2,44 m (8 fot) lång.
- Placera väggssystemet så att alla instrument är tillgängliga och finns på en plats som underlättar ergonomiska undersökningar.

**Exempel på undersökningsrum**



1. Connex Integrated Wall System
2. Undersökningsbord

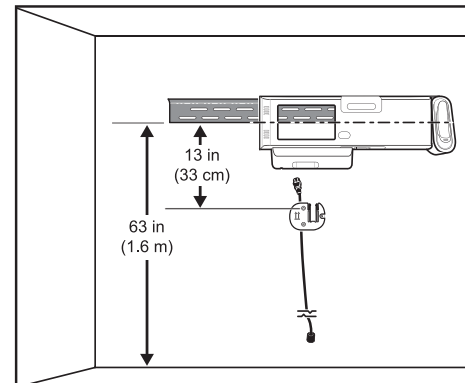
**Montera väggssystemet**

1. Lokalisera och markera reglarna i den valda väggen och välj systemhöjd och motsvarande höjd på rälsfästet.

**Rekommendation:** Placera rälsfästet 1,6 m (63 tum) från golvet, då kommer mitten på skärmen ungefär 1,6 m (63 tum) ovanför golvet.



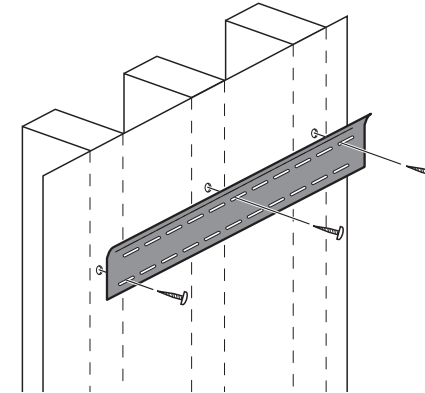
**Försiktighet** Denna bild visar förhållandet mellan monteringsfästena och väggssystemet **efter** du har genomfört monteringsinstruktionerna. Placera inte väggssystemet på väggen förrän du har slutfört alla föregående steg.



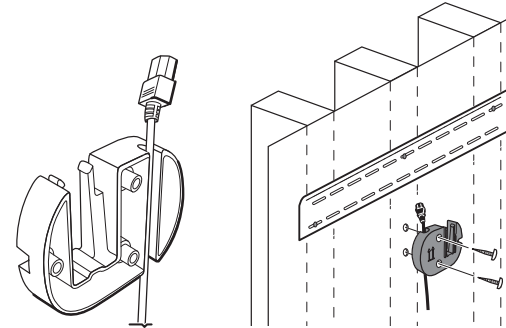
2. Fäst rälsfästet mot tre regler på den valda höjden med tillgängliga skruvar (ankare tillhandahålls för ytterligare stöd).



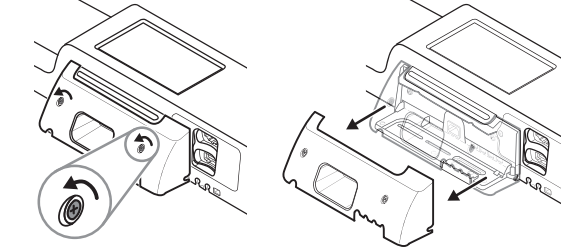
**Försiktighet** Kontrollera att den övre kanten på fästet sticker ut från väggen och att fästet sitter vågrätt.



3. För elkabeln genom kanalen på baksidan av fästet till tillbehörskorgen och montera sedan fästet på mittregeln minst 33 cm (13 tum) under rälsfästet.



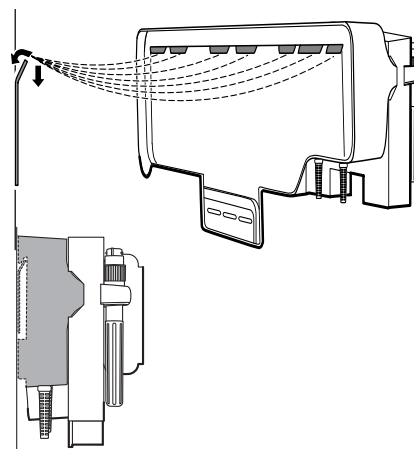
4. Innan du monterar väggssystemet ska du ta bort höljet genom att ta bort fästskruvarna.



5. Häng väggssystemet på rälsfästet.



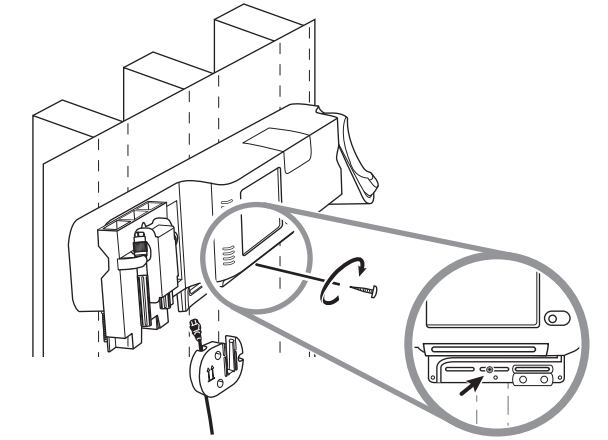
**WARNING!** Kontrollera att alla "piggar" på baksidan av väggssystemet hänger på rälsfästet. Väggssystemet ska vara vågrätt och hänga tätt mot väggen.



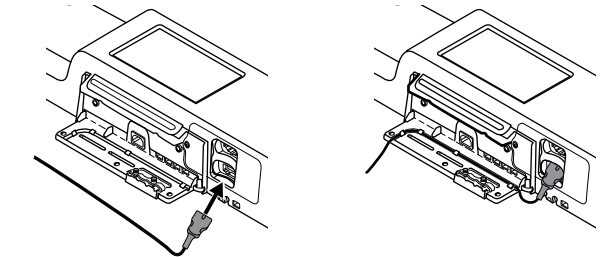
6. Välj en av de tre öppningarna på enhetens undersida som överlappar en regel och säkra enheten mot regeln med den kvarvarande skruven.



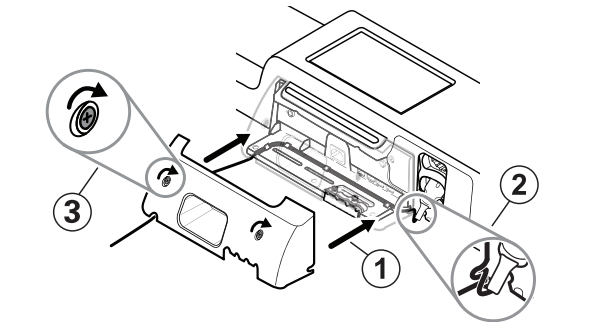
**WARNING!** Om denna skruv inte fästs kan det leda till personskada och skada på utrustningen.



7. Om väggenheten är konfigurerad för SpO2 ska du ansluta SpO2-kabeln och föra den genom kanalen ovanför den säkerhetsskruv du just fäste.

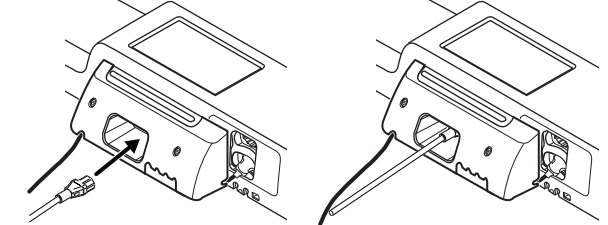


8. Sätt tillbaka höljet.  
a. För SpO2-kabeln genom hålen uppe till höger och nere till vänster på höljet.



b. Dra åt de två fästskruvarna.

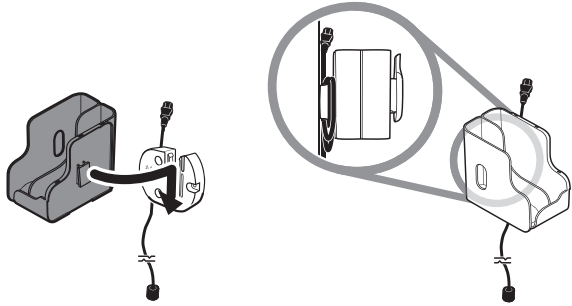
9. Anslut systemets elkabel till väggenheten. Sätt inte i elkabeln i vägguttaget än.



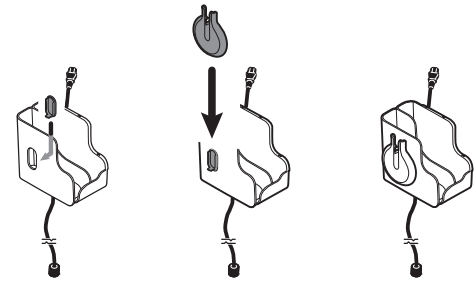


## Fästa tillbehörskorgen

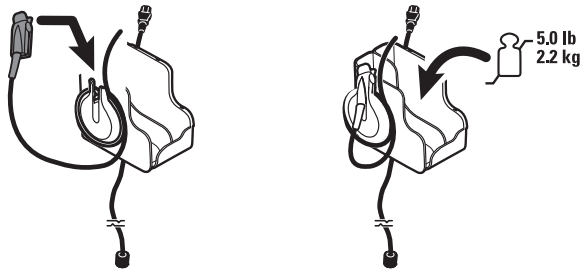
1. Montera tillbehörskorgen på fästet för tillbehörskorgen, vira sedan den kvarvarande elkabeln runt fästet för tillbehörskorgen.



2. Om väggssystemet är konfigurerat för SpO2 ska du fästa SpO2-spölen på tillbehörskorgen genom att föra spölen över fästklämman.



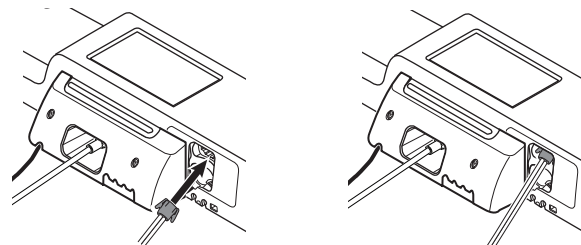
3. Placera och för in SpO2-sensorkabeln i patientkabelkontakten. (Du anslöt just den andra änden av sensorkabeln till väggssystemet.) Kontrollera att sensorkabeln här förts in helt och stäng sedan skyddshöljet. (Se sensortillverkarens instruktioner.)
4. Vira den kvarvarande SpO2-patientkabeln runt spölen och placera SpO2-fingerklämman i SpO2-hållaren.



Maxgränser för säker arbetsbelastning

## Ansluta blodtrycksslangen (NIBP)

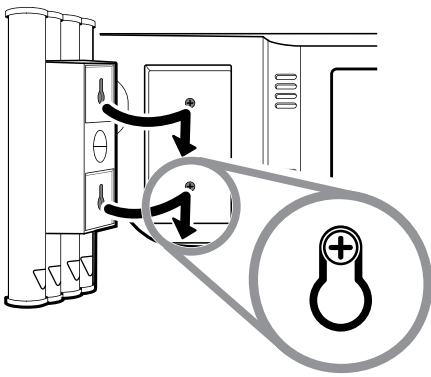
1. Rikta in slanganslutningen mot slanganslutningsporten på undersidan av skärmen.
2. Anslut slanganslutningen genom att trycka in den tills den klickar fast.



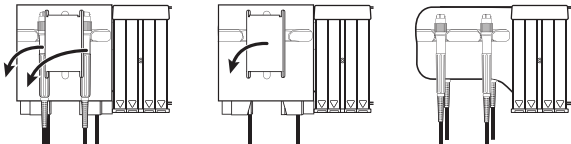
3. Fäst en blodtrycksmanschett på slangens (se manschettillverkarens instruktioner) och förvara sedan manschetten i tillbehörskorgen.

## Montera instrumenthandtagen för fysisk bedömning och trathållaren

1. Fäst trathållaren. Kontrollera att väggssystemets låsskruvar förs in i nyckelhålens låsspringor på baksidan av hållaren och tryck sedan nedåt kraftigt.



2. Avlägsna kartongen som håller fast instrumenthandtagen.



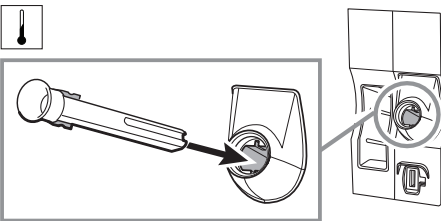
3. Fäst det Welch Allyn 3,5 V-instrumenttillbehör på handtagen som du vill använda. Se användarinstruktionerna för de olika instrumenttillbehören.

## Fästa SureTemp® Plus-termometern

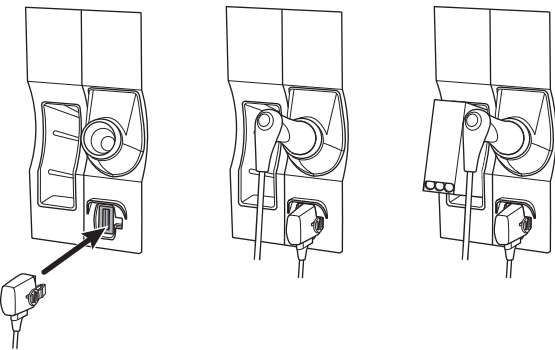
Om väggssystemet är konfigurerat för en SureTemp-termometer ska du följa dessa monteringsanvisningar.

1. Rikta in sondbehållaren med flikarna vända uppåt och nedåt och för in sondbehållaren i temperaturmodulen.

Sondbehållaren klickar på plats när den är helt införd.



2. Håll temperatursondens kabelkontakt med fjäderfliken åt höger och för in den i sondporten på temperaturmodulen. Tryck in den tills den klickar fast.
3. Sätt i temperatursonden i sondbehållaren.
4. Öppna en förpackning sondhöljen och placera den i hållaren för sondhöljen.

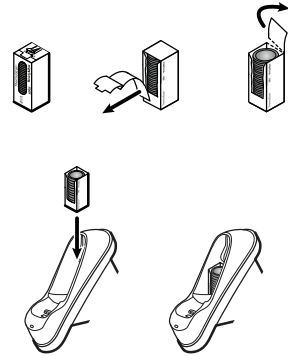


**Anm.** Placera reservförpackningar med sondhöljen i förvaringsutrymmet ovanpå väggssystemet.

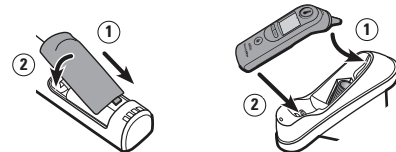
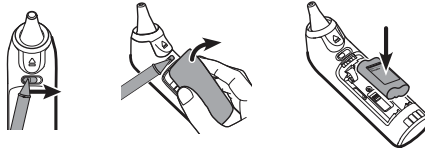
## Montera Braun ThermoScan® PRO -termometern

Om väggssystemet är konfigurerat för en Braun ThermoScan-termometer ska du följa dessa monteringsanvisningar.

1. Ta ut termometern ur förpackningen. Öppna sedan en förpackning sondhöljen och placera den i hållaren.



2. Ta loss termometerlocket, sätt i batteriet, sätt tillbaka termometerlocket och placera sedan termometern i hållaren.



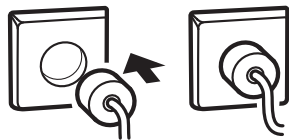
3. Ladda Braun-termometern i 24 timmar före användning.
4. Läs bruksanvisningen från termometertillverkaren om du vill byta från Celsius till Fahrenheit.

**Anm.** Braun ThermoScan Pro 6000-termometern laddas inte under EKG-övervakning. När EKG-övervakningen avbryts börjar termometern automatiskt att laddas igen.

## Ansluta till växelström

Väggssystemet använder både batteri och nätström. När du har slutfört all annan montering kan du ansluta väggssystemet till nätström.

1. Anslut strömkontakten till ett vägguttag för att driva skärmen och ladda batteriet.



**Anm.** Nya batterier är endast laddade till 30 procent. Du måste ansluta väggssystemet till ett vägguttag för att ladda batteriet helt. Anslut inte elkabeln förrän du har slutfört alla föregående steg.

2. Fortsätt till start.

## Start

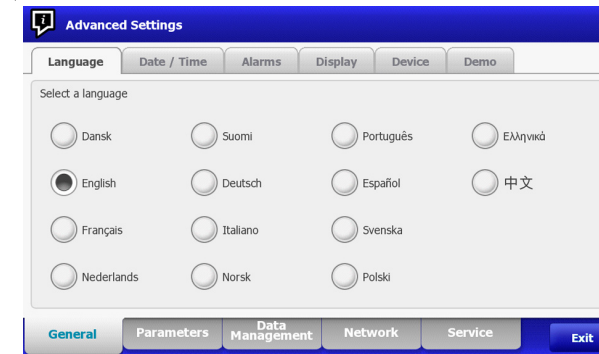
### Aktivera väggssystemet

Tryck på  för att slå på väggssystemet.

### Välja språk

När du sätter på väggssystemet första gången visas skärmen med val av språk.

1. Välj språk.



2. Tryck på **Avsluta**.

Fliken Hem visas.

### Ställa in datum och tid

1. Tryck på fliken **Inställningar**.
2. Tryck på fliken **Enhet**.
3. Om du vill ändra datum och tid trycker du på upp- och ned-knapparna eller

trycker på  och anger ett värde.

Upprepa för vart och ett av de värden som du vill ändra.

**Anm.** Datum- och tidsstämplarna på sparade patientmätningar justeras som svar på nya datum- och tidsinställningar.

### Ställa in standardkonfigurationen

1. Tryck på fliken **Inställningar**.
2. Tryck på fliken **Enhet**.
3. Ange eller justera de inställningar som du vill lägga till eller ändra.

**Anm.** De nya inställningarna visas allteftersom de fullbordas, men är temporära tills de har sparats.

4. Tryck på **Spara som standard**.
5. Tryck på **OK** för att bekräfta att du vill skriva över dina tidigare inställningar och ersätta dem med dina nuvarande inställningar i standardstartkonfigurationen. Eller tryck på **Avbryt** för att behålla de föregående inställningarna.

De nya inställningarna lagras som standardstartinställningar när du startar om skärmen.

**Anm.** Om väggssystemet är anslutet till ett nätverk, synkroniseras datum- och tidsinställningarna med nätverksinställningarna.

**Anm.** Datum- och tidsstämplarna på sparade patientmätningar justeras som svar på nya datum- och tidsinställningar.

 Welch Allyn Inc.  
4341 State Street Road  
Skaneateles Falls, NY 13153 USA  
Tel. +1 800 535 6663 eller +1 315 685 4560 • Fax. +1 315 685 3361  
www.welchallyn.com

 CE-märkningen anger att enheten uppfyller väsentliga krav i direktivet för medicintekniska produkter 93/42/EEG.

 Representant för tillsynsmyndigheten, Welch Allyn Limited  
Navan Business Park, Dublin Road, Navan, County Meath, Republiken Irland

© 2017 Welch Allyn, Inc. Med ensamrätt. Welch Allyn ansvarar inte för skada på någon person eller för obehörig eller oriktig användning av produkter som kan förekomma om produkten inte används i enlighet med instruktioner, försiktighetsvarningar eller varningar som anges i den här starthandboken. Welch Allyn är ett registrerat varumärke som tillhör Welch Allyn, Inc.

Revisionsdatum: 2017-05  
Welch Allyn Technical Support  
www.welchallyn.com/support

Przygotowanie do pracy

**Przeostroga** Firma Welch Allyn nie ponosi odpowiedzialności za integralność jakiegokolwiek interfejsu montażu ściennego. Firma Welch Allyn zaleca klientom kontakt z Działem Inżynierii Biomedycznej lub serwisem, co zapewni, że instalacja zostanie przeprowadzona w sposób profesjonalny oraz będzie niezawodna i bezpieczna.

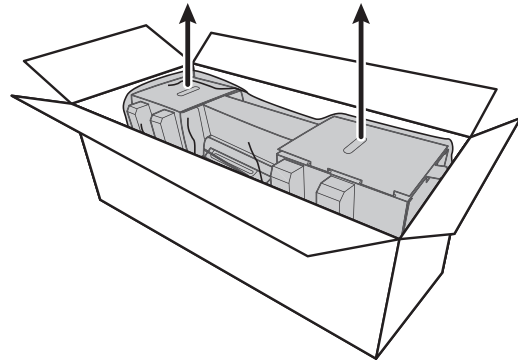
**Uwaga** Niektóre opisane w niniejszej publikacji funkcje produktu mogą nie być dostępne w każdym kraju. W celu uzyskania najnowszych informacji na temat produktów i funkcji proszę dzwonić do działu Obsługi Klienta firmy Welch Allyn.

Rozpakowanie systemu ściennego

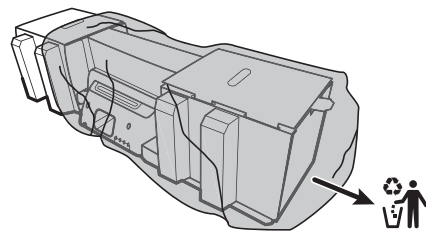
Niniejsza procedura dotyczy tylko konfiguracji systemu ściennego przed pierwszym użyciem.

**Przeostroga** W celu zapewnienia bezpieczeństwa i łatwości montażu wymagane jest ścisłe przestrzeganie niniejszych instrukcji.  
**Przeostroga** Nie zdejmować żadnego materiału opakowania z systemu ściennego, jeżeli nie mówią tego instrukcje.

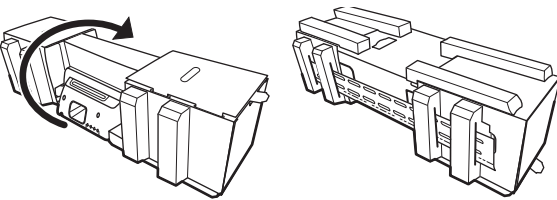
1. Wyjąć system z pudełka, chwytając za kartonowe uchwyty.



2. Gdy system ścienny nadal znajduje się w materiale opakowania, umieścić go na stole lub płaskiej powierzchni roboczej i wyjąć z plastikowego worka.



3. Obrócić system ścienny, aby jego tył był skierowany do góry.




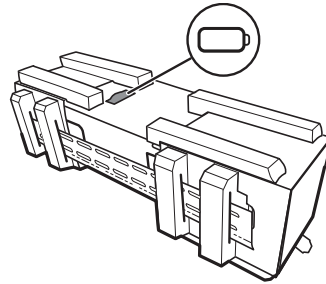
Montaż akumulatora

Niniejsza procedura dotyczy tylko konfiguracji systemu ściennego przed pierwszym użyciem. Dlatego system ścienny powinien być wyłączony.

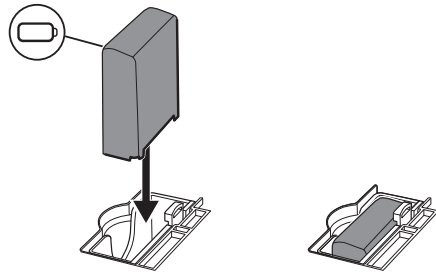
**OSTRZEŻENIE** Ryzyko pożaru, wybuchu lub oparzeń. Nie należy zwierać, zgniatć, palić ani rozmontowywać pakietu akumulatora.



1. Odszukać komorę akumulatora — jest ona oznaczona ikoną  .

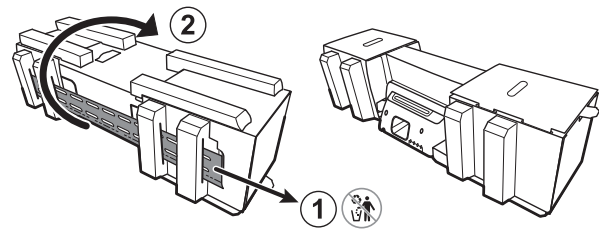


2. Włożyć akumulator (akumulator znajduje się w różowym worku antystatycznym w pudełku akcesoriów).

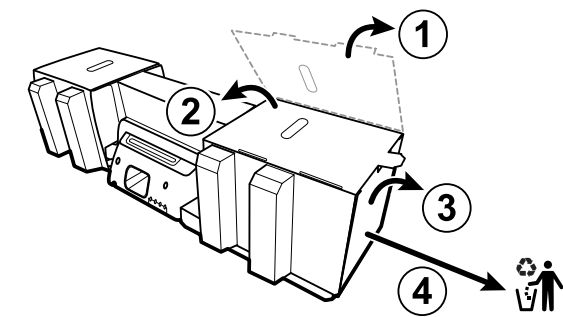


Przygotowanie do montażu

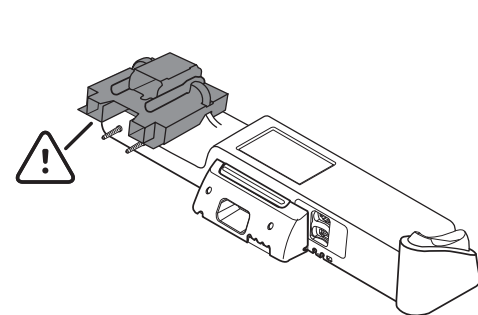
1. Wysunąć szynę mocującą z materiału opakowania i odłożyć na bok. Nie wyrzucać. Następnie obrócić system ścienny na jego tylnej części.



2. Zdjąć zaślepki kartonowe zgodnie z rysunkiem i odłożyć do recyklingu.

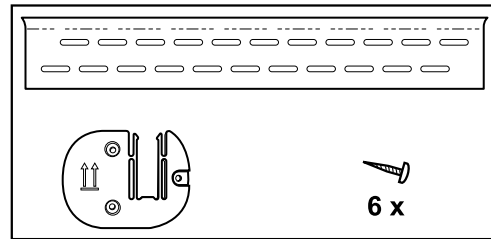


**Przeostroga** Na razie nie wyrzucać kartonu zabezpieczającego uchwyty po lewej stronie systemu ściennego. Karton zapobiega uszkodzeniu tych instrumentów podczas montażu.



Wykaz elementów montażowych

Użyć tych elementów do montażu systemu ściennego.



- Szyna mocująca
- Uchwyt kosza akcesoriów
- Wkręty

Lista narzędzi

Użyć tych narzędzi do montażu systemu ściennego:

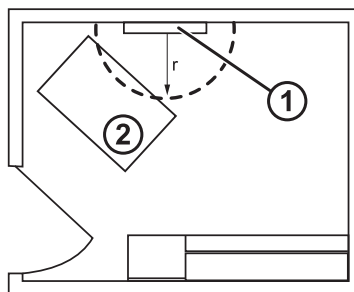
- wkrętak krzyżakowy nr 2
- poziomica
- taśma miernicza
- wykrywacz profili
- wiertło
- wiertło o średnicy 1/8 cala (3,17 mm)

Miejsce montażu

Przed montażem systemu ściennego w celu określenia najlepszego miejsca należy rozważyć następujące zalecenia:

- System ścienny należy zamontować do profili.
- System ścienny należy zamontować w zasięgu gniazdka prądu zmiennego. Przewód zasilający ma długość 2,44 m (8 stóp).
- Unikać jasno oświetlonych miejsc.
- Wąż do pomiaru ciśnienia krwi ma długość 2,44 m (8 stóp).
- System ścienny należy umieścić tak, aby dostępne były wszystkie instrumenty i w miejscu, które umożliwią ergonomiczne badania.

Przykładowy rozkład pomieszczenia



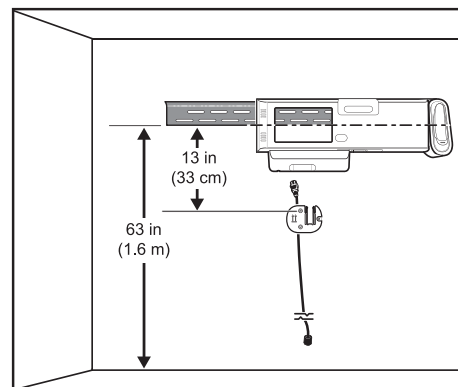
1. Connex Integrated Wall System
2. Stół do badań

Montaż systemu ściennego

1. Na wybranej ścianie należy znaleźć i zaznaczyć profile, wybrać wysokość systemu i odpowiednią wysokość dla szyny montażowej.

**Zalecenie:** Szynę montażową należy umieścić 1,6 m (63 cale) nad podłogą, co pozwoli umieścić środek ekranu na wysokości około 1,6 m (63 cale) nad podłogą.

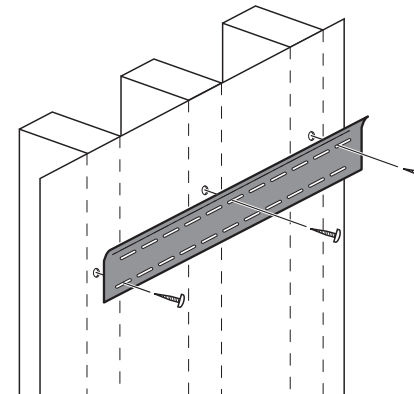
**Przeostroga** Niniejszy rysunek przedstawia fizyczne relacje uchwytów montażowych względem siebie i systemu ściennego **po** wykonaniu instrukcji montażowych. Systemu ściennego nie należy umieszczać na ścianie do czasu zakończenia wszystkich czynności wstępnych.



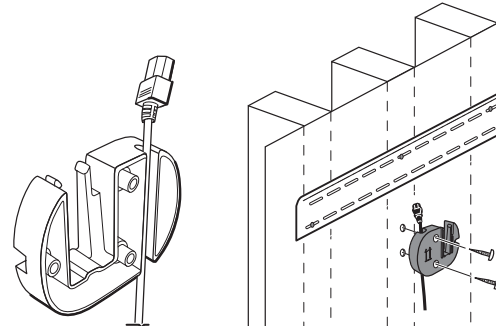
2. Przymocować szynę montażową do trzech profili na wybranej wysokości za pomocą dostępnych wkrętów (dla dodatkowego podtrzymania dostępne są kotwy).



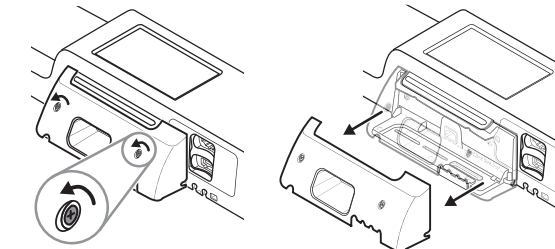
**Przeostroga** Upewnij się, że górny „dzióbek” uchwyty odstaje od ściany i uchwyt jest wypoziomowany.



3. Poprowadzić przewód zasilający przez kanał w tylnej części uchwyty kosza akcesoriów, a następnie zamontować uchwyt na centralnym profilu przynajmniej 33 cm (13 cali) pod szyną montażową.



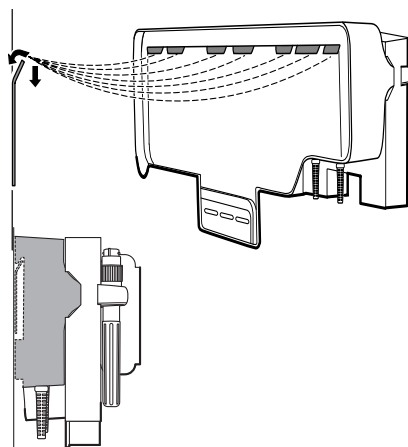
4. Przed montażem systemu ściennego zdjąć osłonę, luzując wkręty podtrzymujące zabezpieczone przed wypadnięciem.



5. Powiesić system na ścianie na szynie montażowej.



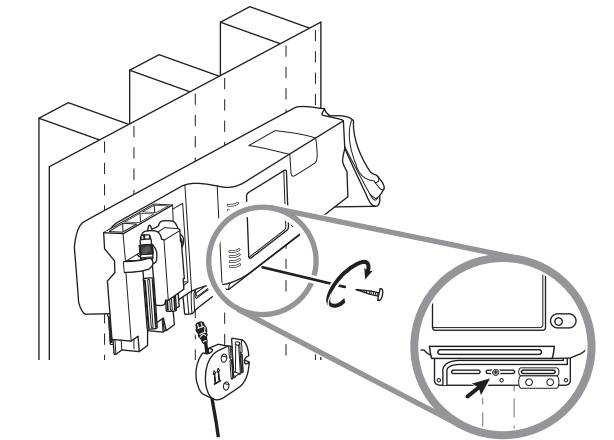
**OSTRZEŻENIE** Upewnij się, że „żeberka” z tyłu systemu ściennego w pełni zaczęły się z szyną montażową. System ścienny powinien być wypoziomowany i równoległy do ściany.



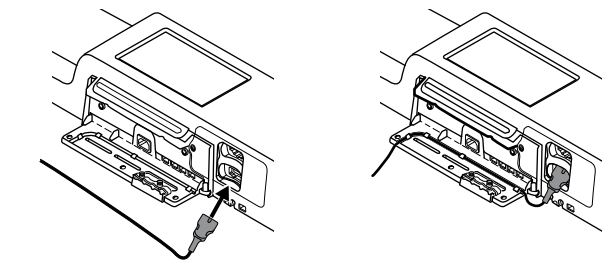
6. Wybrać jedną z trzech dostępnych szczelin w dolnej części jednostki, która nachodzi na profil i przymocować jednostkę do profilu za pomocą pozostałego wkrętu.



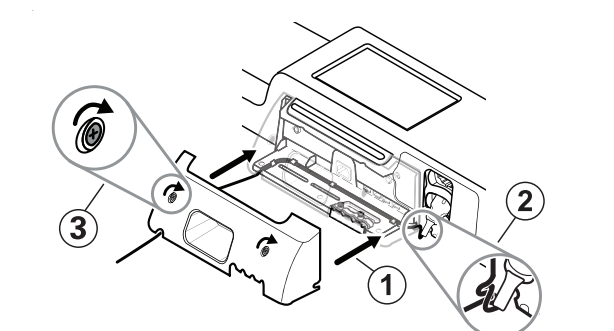
**OSTRZEŻENIE** Niezainstalowanie tego wkrętu zabezpieczającego może spowodować obrażenia osób oraz uszkodzenie sprzętu.



7. Jeżeli jednostka ścienna jest skonfigurowana do SpO2, podłączyć przewód SpO2 i poprowadzić go przez kanał nad właśnie zainstalowanym wkrętem zabezpieczającym.

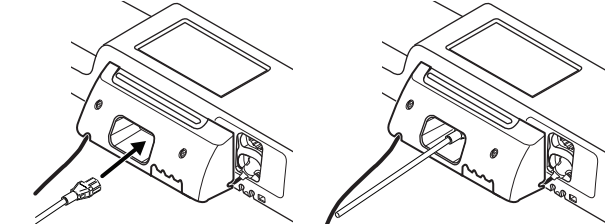


8. Założyć z powrotem osłonę.  
 a. Poprowadzić przewód SpO2 przez wycięcia w prawej górnej i dolnej lewej osłonie.



b. Dokręcić dwa wkręty mocujące.

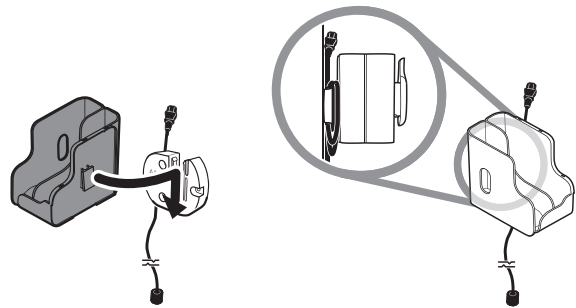
9. Przymocować przewód zasilania do jednostki ściennej. Nie podłączać jeszcze przewodu do gniazdka.



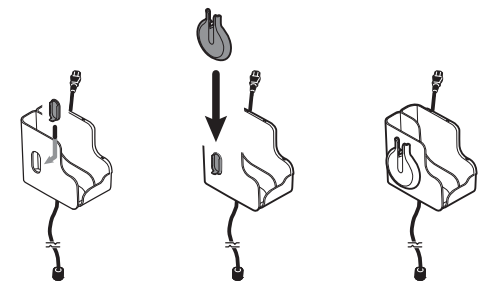


## Montaż kosza akcesoriów

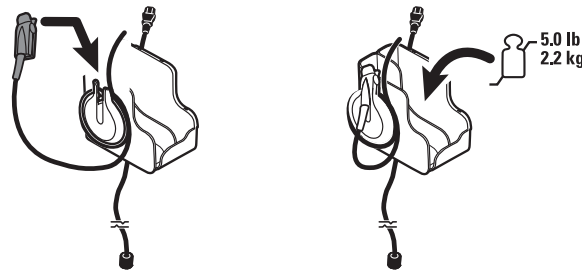
1. Zamontować kosz akcesoriów na uchwycie kosza akcesoriów, następnie luźno owinąć nadmiarowy przewód zasilający wokół uchwytu kosza akcesoriów.



2. Jeżeli system ścienny jest skonfigurowany do SpO2, przymocować szpulę do kosza akcesoriów, wsuwając ją na zacisk mocujący.



3. Prawidłowo ustawić i włożyć przewód czujnika SpO2 do złącza przewodu pacjenta (przeciwny koniec przewodu czujnika został właśnie podłączony do systemu ściennego). Upewnić się, że przewód czujnika jest całkowicie włożony, a następnie zamknąć osłonę zabezpieczającą (patrz wskazówki producenta czujnika).
4. Owinąć nadmiar przewodu pacjenta SpO2 na szpuli i umieścić zacisk na palec SpO2 w uchwycie SpO2.

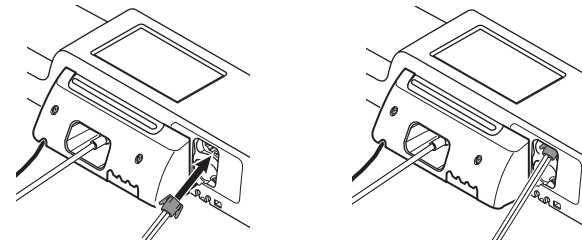


5.0 lb  
2.2 kg

Maksymalne dopuszczalne obciążenie robocze

## Podłączyć wąż do pomiaru ciśnienia krwi (NIBP)

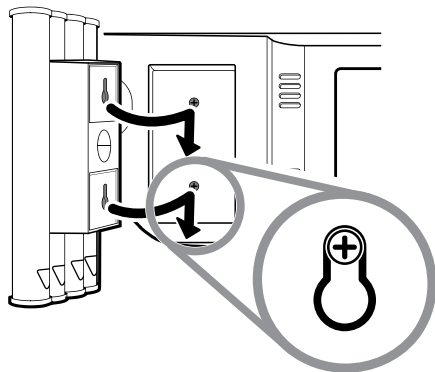
1. Złącze przewodu ustawić przy porcie złącza przewodu od spodu monitora.
2. Wprowadzić złącze przewodu, mocno dociskając, aż złącze zostanie zablokowane w miejscu, czemu będzie towarzyszyć dźwięk kliknięcia.



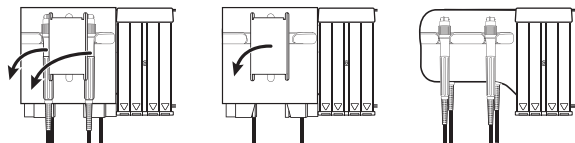
3. Przymocować mankiety do pomiaru ciśnienia krwi do drenu (patrz instrukcje producenta mankiety), a następnie umieścić mankiety w koszu akcesoriów.

## Skonfigurować uchwyty narzędzia do badania fizykalnego i dozownika wzierników

1. Przymocować dozownik wzierników. Upewnić się, że otwory blokujące z tyłu dozownika zaczeły wkręty blokujące systemu ściennego, a następnie opuścić mocno w dół.



2. Zdjąć karton zabezpieczający uchwyty narzędzia.



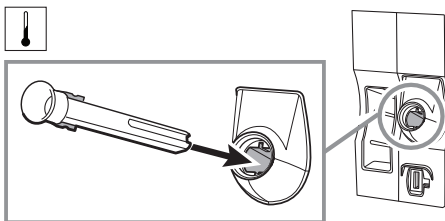
3. Podłączyć głowicę urządzenia Welch Allyn zasilanego prądem 3,5 V do uchwytu. Zapoznać się z instrukcjami obsługi wszystkich głowic urządzenia.

## Konfiguracja termometru SureTemp® Plus

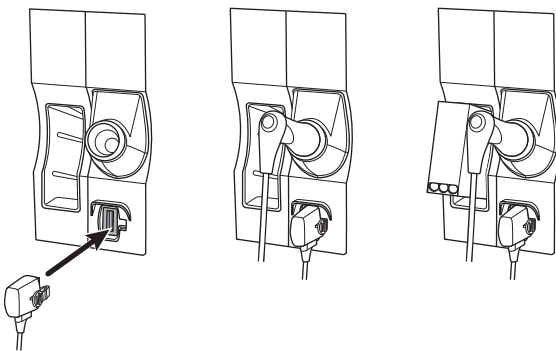
Jeżeli system ścienny skonfigurowano do współpracy z termometrem SureTemp, należy wykonać niniejsze instrukcje konfiguracji.

1. Ustawić gniazdo sondy w taki sposób, aby zapadki były skierowane w górę i w dół. Następnie wprowadzić gniazdo do modułu pomiaru temperatury.

W pełni osadzone gniazdo sondy zostanie nieruchomo zatrzaśnięte.



2. Chwycić złącze przewodu sondy temperatury w taki sposób, aby elastyczna zapadka była skierowana w prawo. Następnie włożyć złącze do portu sondy w module pomiaru temperatury. Wepchnąć złącze, aby je unieruchomić, czemu będzie towarzyszyć dźwięk kliknięcia.
3. Włożyć sondę temperatury do gniazda sondy.
4. Otworzyć pudełko osłon na sondę i umieścić w uchwycie pudełka osłony na sondę.

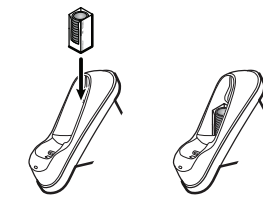
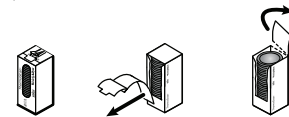


**Uwaga** Zapasowe pudełko osłon na sondę umieścić w magazynku w górnej części systemu ściennego.

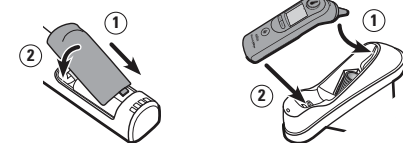
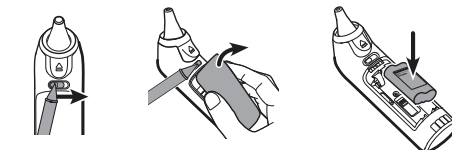
## Konfiguracja termometru Braun ThermoScan® PRO

Jeżeli system skonfigurowano do współpracy z termometrem Braun ThermoScan, należy wykonać niniejsze instrukcje konfiguracji.

1. Wyjąć termometr z opakowania. Następnie otworzyć pudełko osłon na sondę i umieścić w doku.



2. Zdjąć pokrywę termometru, włożyć baterię, założyć pokrywę termometru, a następnie umieścić termometr w doku.



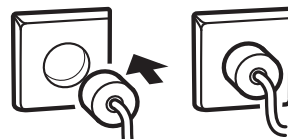
3. Ładować termometr Braun przez 24 godziny przed użyciem.
4. Informacje dotyczące zmiany skali ze stopni Celsjusza na stopnie Fahrenheita zawiera instrukcja obsługi termometru.

**Uwaga** Termometr Braun ThermoScan PRO 6000 nie ładuje się podczas monitorowania EKG i automatycznie wznowia ładowanie po zakończeniu monitorowania EKG.

## Podłączanie źródła prądu zmiennego

System ścienny wykorzystuje zarówno zasilanie akumulatorem oraz prądem zmiennym. Po zakończeniu wszystkich czynności konfiguracyjnych można podłączyć zasilane do systemu ściennego.

1. Włożyć wtyczkę przewodu do gniazda sieciowego, aby zasilac monitor i ładować akumulator.



**Uwaga** Nowe akumulatory są naładowane tylko do 30 procent pojemności. W celu pełnego naładowania akumulatora system ścienny należy podłączyć do zasilania prądem zmiennym. Przewodu zasilającego nie należy podłączać do czasu zakończenia wszystkich czynności wstępnych.

2. Przejść do uruchomienia.

## Uruchomienie

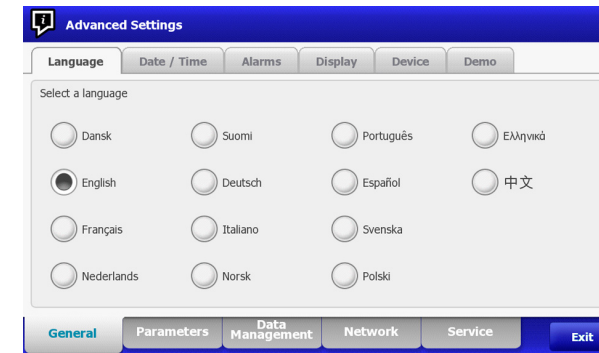
### Uruchomienie systemu ściennego

W celu uruchomienia systemu ściennego naciśnięć przycisk

#### Wybór języka

Po pierwszym uruchomieniu systemu ściennego zostanie wyświetlony ekran wyboru języka.

1. Wybrać język.



2. Dotknąć przycisku **Wyjdź**.

Następuje wyświetlenie karty Str.gł.

#### Ustawianie daty i godziny

1. Dotknąć karty **Ustawienia**.
2. Dotknąć karty **Urządzenie**.
3. W celu zmiany wartości daty i godziny dotykać przycisków strzałek góra/dół lub

dotknąć przycisku

Powtórzyć tę operację dla każdej wartości, która ma zostać zmieniona.

**Uwaga** Po zmianie ustawień daty i godziny zostaną dostosowane znaczniki daty i godziny zapisanych pomiarów pacjenta.

#### Ustawianie konfiguracji domyślnej

1. Dotknąć karty **Ustawienia**.
2. Dotknąć karty **Urządzenie**.
3. Wprowadzić lub wyregulować żądane ustawienia.

**Uwaga** Nowe ustawienia pojawią się po ich wprowadzeniu, lecz do chwili zapisania będą uznawane za tymczasowe.

4. Dotknąć opcji **Zapisz jako domyślne**.
5. Dotknąć przycisku **OK** w celu potwierdzenia zamiaru nadpisania poprzednich ustawień i zamiany ich na bieżące ustawienia w konfiguracji domyślnej lub dotknąć przycisku **Anuluj** w celu zachowania poprzednich ustawień.

Nowe ustawienia są zapisywane jako domyślne ustawienia uruchamiania po ponownym uruchomieniu monitora.

**Uwaga** Jeśli system ścienny jest podłączony do sieci, wówczas ustawienia daty i godziny są synchronizowane z ustawieniami sieciowymi.

**Uwaga** Po zmianie ustawień daty i godziny zostaną dostosowane znaczniki daty i godziny zapisanych pomiarów pacjenta.

Welch Allyn Inc.  
4341 State Street Road  
Skaneateles Falls, NY 13153 USA  
Tel. +1 800 535 6663 lub +1 315 685 4560 • Faks +1 315 685 3361  
www.welchallyn.com

Znak CE oznacza, że urządzenie spełnia wszystkie wymagania Dyrektywy europejskiej dotyczącej urządzeń medycznych 93/42/EWG.

Przedstawiciel ds. urzędowych, Welch Allyn Limited  
Navan Business Park, Dublin Road, Navan, County Meath, Republic of Ireland

© 2017 Welch Allyn, Inc. Wszelkie prawa zastrzeżone. Firma Welch Allyn nie ponosi odpowiedzialności za jakiegokolwiek uszkodzenia ciała jakichkolwiek osób oraz nielegalne lub nieprawidłowe korzystanie z produktu, które mogłoby wynikać z niestosowania się do instrukcji obsługi, ostrzeżeń lub przestróg zamieszczonych w niniejszej instrukcji uruchamiania. Welch Allyn jest zarejestrowanym znakiem towarowym firmy Welch Allyn, Inc.

Data aktualizacji: 2017-05  
Welch Allyn Technical Support  
www.welchallyn.com/support



Installeren

**Let op** Welch Allyn is niet verantwoordelijk voor de deugdelijkheid van de interface voor wandmontage. Welch Allyn adviseert u om contact op te nemen met uw afdeling voor biomedische techniek of onderhoudsdienst, om te garanderen dat accessoires vakkundig, veilig en deugdelijk worden gemonteerd.

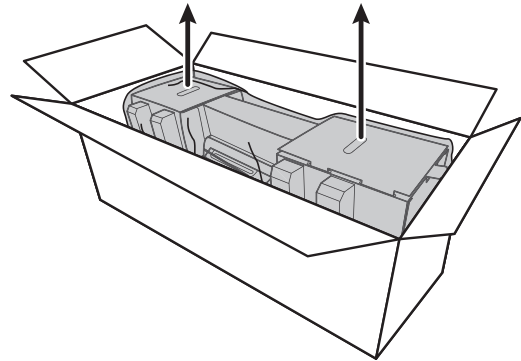
**Opmerking** Sommige van de in deze publicatie beschreven productfuncties zijn mogelijk niet beschikbaar in uw land. Neem voor de meest recente informatie over producten en functies contact op met de klantenservice van Welch Allyn.

De wandunit uitpakken

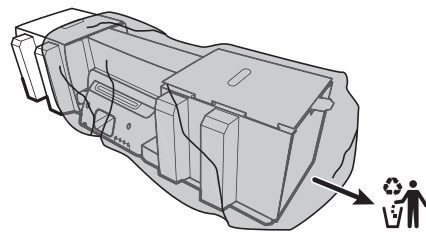
Deze procedure is van toepassing wanneer de wandunit voor de eerste keer wordt geïnstalleerd.

**Let op** U dient deze aanwijzingen nauwkeurig op te volgen ten behoeve van de veiligheid en het montagegemak.  
**Let op** Verwijder geen verpakkingsmateriaal van de wandunit voordat dit in de aanwijzingen wordt aangegeven.

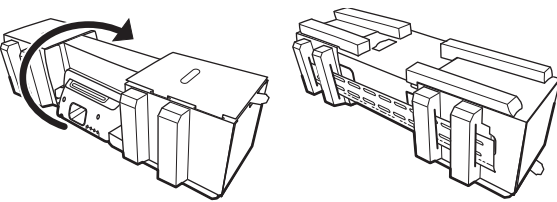
1. Til de wandunit aan de kartonnen handgrepen uit de doos.



2. Plaats de wandunit nog in de verpakking op een tafel of een plat werkblad en haal deze uit de kunststofzak.



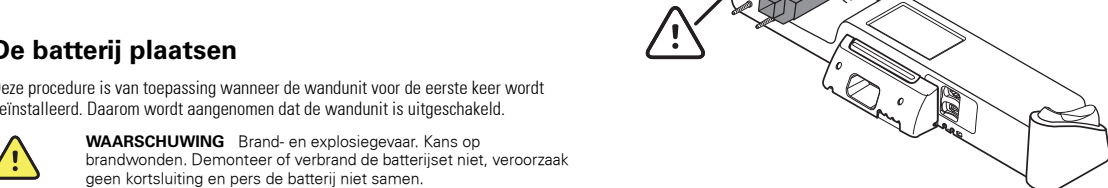
3. Draai de wandunit om zodat de achterkant van de wandunit naar boven gericht is.




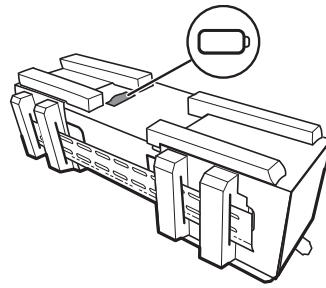
De batterij plaatsen

Deze procedure is van toepassing wanneer de wandunit voor de eerste keer wordt geïnstalleerd. Daarom wordt aangenomen dat de wandunit is uitgeschakeld.

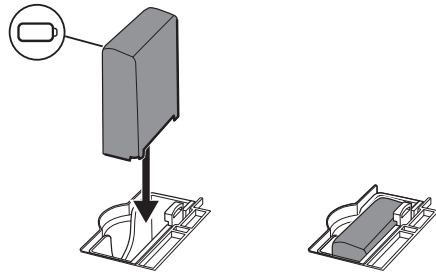
**WAARSCHUWING** Brand- en explosiegevaar. Kans op brandwonden. Demonteer of verbrand de batterijset niet, veroorzaakt geen kortsluiting en pers de batterij niet samen.



1. Zoek het batterijvak; dit wordt aangegeven met .

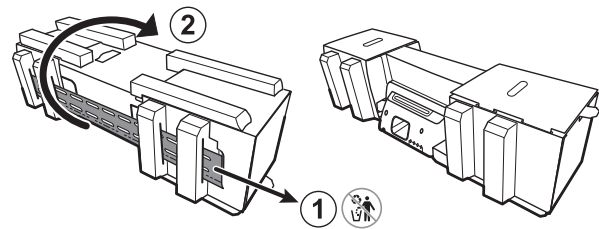


2. Plaats de batterij. (De batterij zit in een roze antistatische zak in de doos met accessoires.)

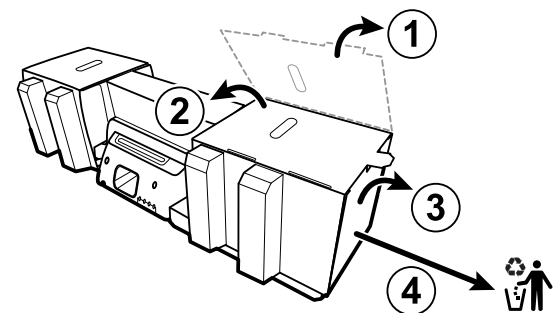


De montage voorbereiden

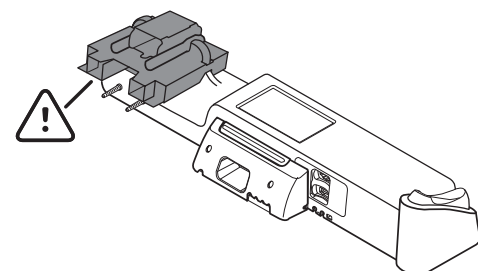
1. Schuif de montagerail uit de verpakking en leg deze opzij. Niet weggooien. Draai vervolgens de wandunit op de achterkant.



2. Verwijder de kartonnen eindkappen zoals afgebeeld en leg deze weg voor hergebruik.

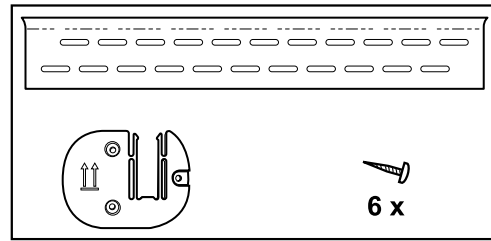


**Let op** Verwijder op dit moment nog niet het karton waarmee de handgrepen aan de linkerkant van de wandunit worden beschermd. Het karton voorkomt beschadiging van deze instrumenten tijdens de montage.



Onderdelen voor de montage

Gebruik deze onderdelen voor het bevestigen van de wandunit.



- Montagerail
- Steun voor accessoirebakje
- Schroeven

Gereedschappenlijst

Gebruik de volgende gereedschappen voor het bevestigen van de wandunit.

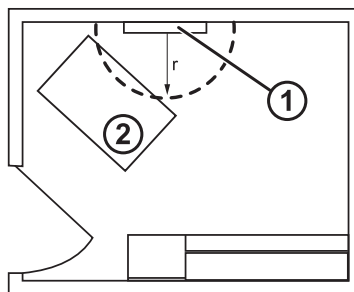
- kruiskopschroevendraaier #2
- waterpas
- meetlint
- balkzoeker
- boor
- boortje 1/8-inch (3,17 mm)

Bevestigingslocatie

Overweeg voor bevestiging van de wandunit de volgende aanbevelingen om de beste bevestigingslocatie te bepalen:

- Bevestig de wandunit aan muurbalken.
- Bevestig de wandunit in de buurt van een stopcontact. Het netsnoer is 2,44 m lang.
- Vermijd fel verlichte plaatsen.
- De bloeddrukslang is 2,44 m lang.
- Plaats de wandunit zodanig dat alle instrumenten toegankelijk zijn en zich op een plaats bevinden die ergonomisch onderzoek mogelijk maken.

Voorbeeldruimte-indeling



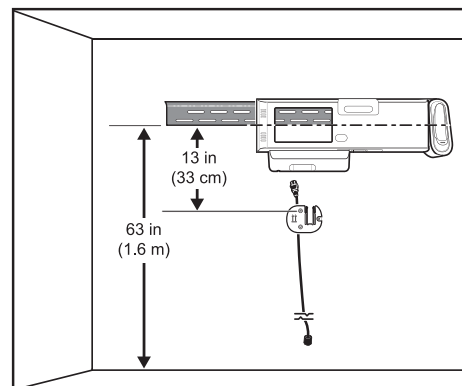
1. Connex Integrated Wall System
2. Onderzoekstafel

De wandunit bevestigen

1. Zoek de balken in de gekozen muur en markeer deze. Bepaal vervolgens hoe hoog de unit moet komen en wat de overeenkomstige hoogte voor de montagerail is.

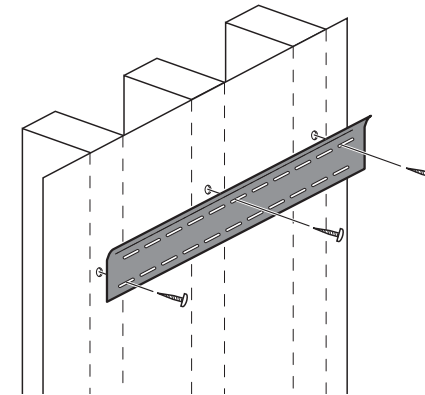
**Aanbeveling:** plaats de montagerail 1,6 m vanaf de vloer, waardoor het midden van het scherm op ongeveer 1,6 m van de vloer komt.

**Let op** In deze tekening ziet u de verhouding van de montagerail en de steun ten opzichte van elkaar en de wandunit **nadat** u de montage-instructies hebt opgevolgd. Hang de wandunit niet aan de wand voordat u alle voorbereidende stappen hebt voltooid.

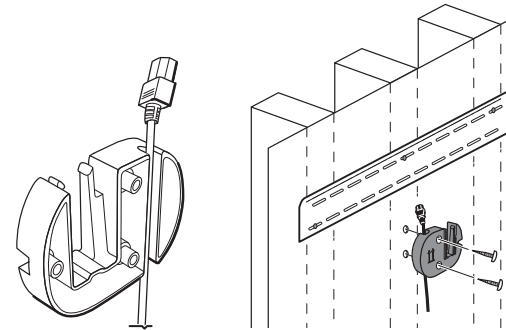


2. Bevestig de montagerail met de aanwezige schroeven aan drie balken op de gekozen hoogte (voor extra steun zijn ankers verkrijgbaar).

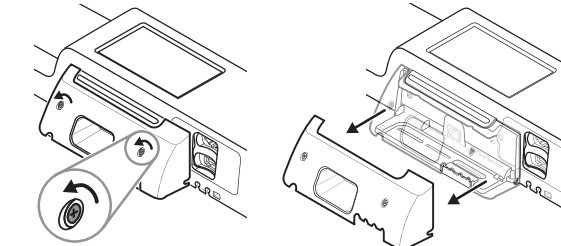
**Let op** Zorg ervoor dat de bovenste 'rand' van de rail uitsteekt van de muur en dat de rail waterpas staat.



3. Leid het netsnoer door de gleuf in de achterkant van de steun voor het accessoirebakje. Bevestig de steun vervolgens ten minste 33 cm onder de montagerail aan de middelste balk.

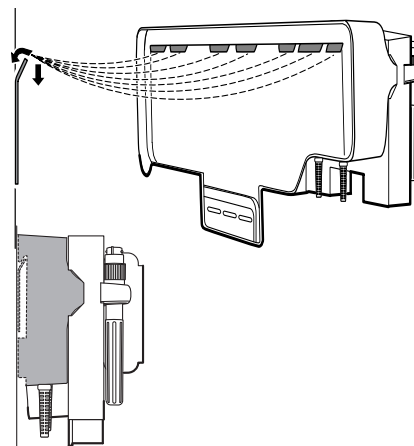


4. Verwijder de klep van de wandunit alvorens deze te bevestigen door de onverliesbare borgschroeven los te draaien.



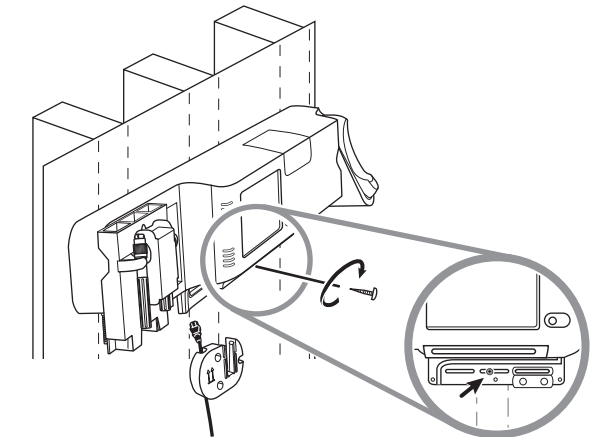
5. Hang de wandunit aan de montagerail.

**WAARSCHUWING** Zorg ervoor dat het 'profiel' aan de achterkant van de wandunit helemaal aan de montagerail is gekoppeld. De wandunit moet waterpas en gelijk met de muur hangen.

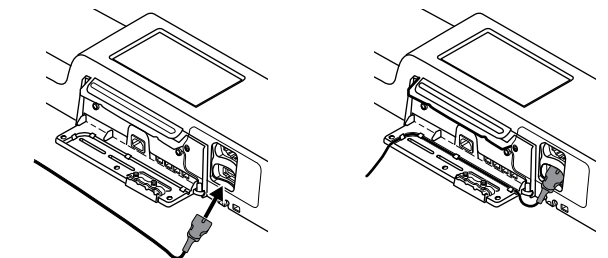


6. Kies een van de drie beschikbare openingen onderaan de unit die boven een balk ligt en maak de unit met de overgebleven schroef vast aan de balk.

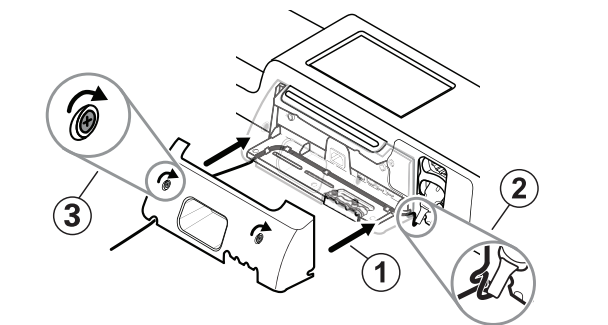
**WAARSCHUWING** Als u deze veiligheidsschroef niet aanbrengt, kan dit leiden tot lichamelijk letsel en beschadiging van de apparatuur.



7. Als de wandunit is geconfigureerd voor SpO2, sluit u de SpO2-kabel aan en leidt u deze door de gleuf boven de veiligheidsschroef die u zojuist heeft aangebracht.

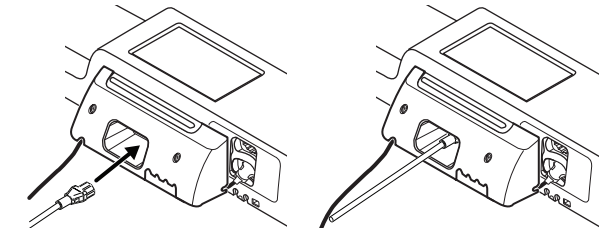


8. Maak de klep weer vast.  
 a. Voer de SpO2-kabel door de uitsparingen rechtsboven en de links onder in de klep



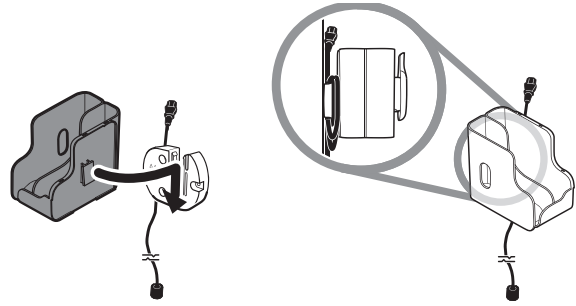
b. Draai de twee borgschroeven vast.

9. Sluit het netsnoer van het systeem aan op de wandunit. Sluit op dit moment het netsnoer nog niet aan op een contactdoos.

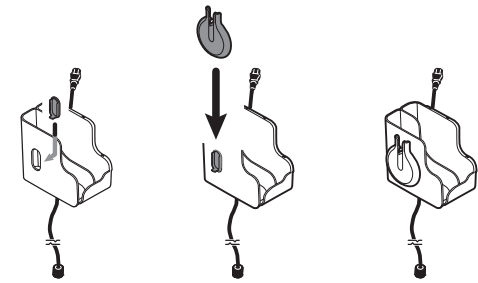


## Het accessoirebakje bevestigen

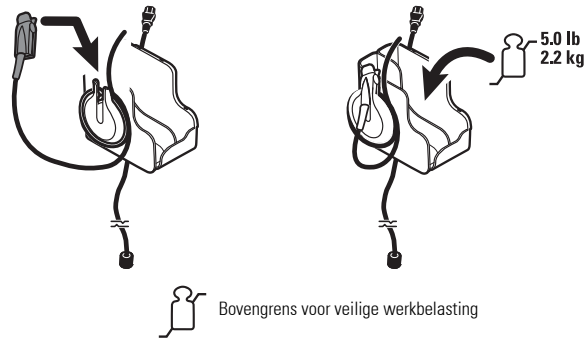
1. Bevestig het accessoirebakje aan de steun voor het accessoirebakje en wikkel het overloftige netsnoer rond deze steun.



2. Als uw wandunit is geconfigureerd voor SpO2, bevestigt u de SpO2-spoel aan het accessoirebakje door de spoel op de borgklem te schuiven.



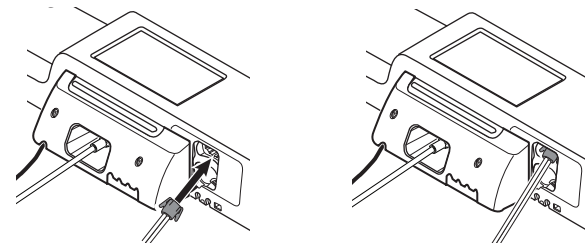
3. Richt de SpO2-sensorkabel zorgvuldig en breng deze aan in de connector van de patiëntenkabel. (U heeft zojuist het andere uiteinde van de sensorkabel aangesloten aan de wandunit.) Zorg ervoor dat de sensorkabel goed is aangebracht en sluit de beschermkap. (Raadpleeg de gebruiksaanwijzing van de fabrikant van de sensor.)
4. Wikkel de overloftige SpO2-patiëntenkabel om de spoel en plaats de SpO2-vingerklem in de SpO2-houder.



Bovengrens voor veilige werkbelasting

## De bloeddrukslang (NIBP-slang) aansluiten

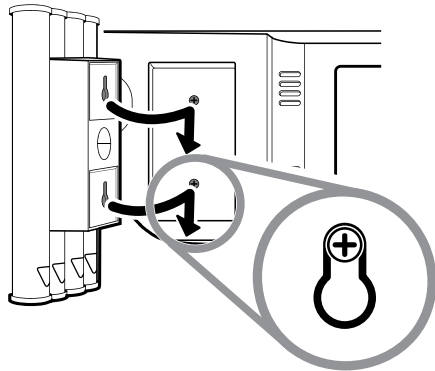
1. Lijn de slangaansluiting uit met de slangaansluitpoort aan de onderkant van de monitor.
2. Plaats de slangaansluiting en duw stevig tot deze op zijn plaats vastklikt.



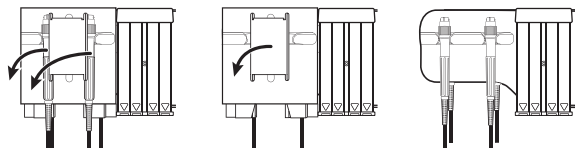
3. Bevestig een bloeddrukmanchet aan de slang (raadpleeg de gebruiksaanwijzing van de fabrikant van de manchet) en berg de manchet op in het accessoirebakje.

## De handgrepen voor instrumenten voor lichamelijk onderzoek en de speculumhouder installeren

1. Bevestig de speculumhouder. Zorg ervoor dat de sleutelgatvormige openingen aan de achterkant van de houder over de borgschroeven aan de wandunit vallen en duw vervolgens stevig naar beneden.



2. Verwijder het karton waarmee de handgrepen voor de instrumenten worden beschermd.



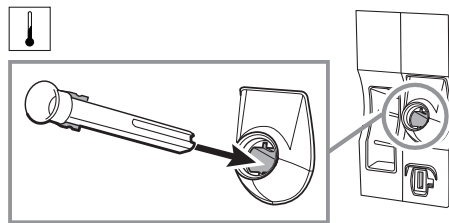
3. Bevestig de door u gewenste 3,5V Welch Allyn instrumentkoppen aan de handgrepen. Zie de gebruiksaanwijzingen van de afzonderlijke instrumentkoppen.

## De SureTemp® Plus-thermometer installeren

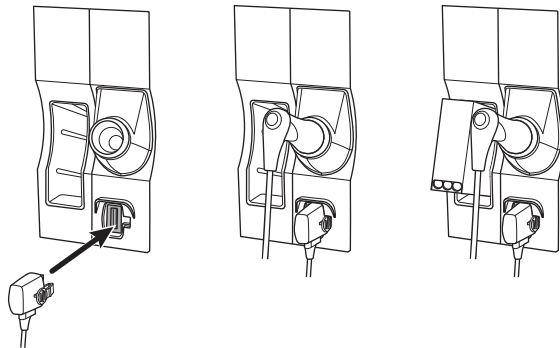
Als uw wandunit is geconfigureerd voor een SureTemp Plus-thermometer, volgt u deze instelinstructies.

1. Lijn de sondebasis uit met de lipjes omhoog en omlaag gericht en plaats de sondebasis in de temperatuurmodule.

De sondebasis klikt op zijn plaats vast wanneer deze volledig is geplaatst.



2. Houd de kabelaansluiting van de temperatuursonde vast met het geveerde lipje rechts en breng deze in de sondepoort van de temperatuurmodule in. Duw de kabelaansluiting op zijn plaats totdat deze vastklikt.
3. Plaats de temperatuursonde in de sondebasis.
4. Maak een doos met sondekopjes open en plaats deze in het opbergvak voor de doos met sondekopjes.

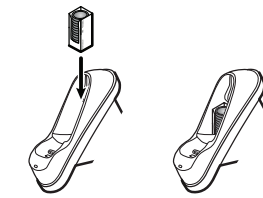
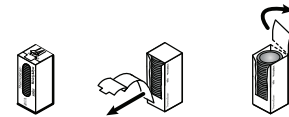


**Opmerking** Plaats reservedozen met sondekopjes in het opbergvak bovenop de wandunit.

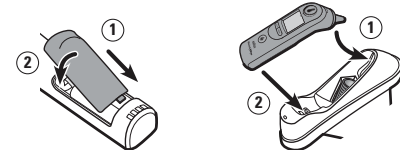
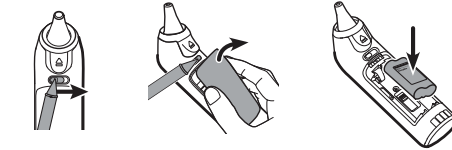
## De Braun ThermoScan® PRO-thermometer installeren

Als uw wandunit is geconfigureerd voor de Braun ThermoScan-thermometer, volgt u deze instelinstructies.

1. Verwijder de thermometer uit het pakket. Maak vervolgens een doos met sondekopjes open en plaats deze in de dock.



2. Verwijder het klepje van de thermometer, plaats de batterij, plaats het klepje van de thermometer terug en plaats de thermometer vervolgens in de dock..



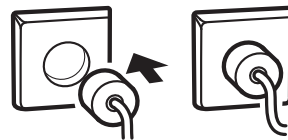
3. Laad de Braun-thermometer gedurende 24 uur op voordat u deze gaat gebruiken.
4. Raadpleeg de gebruiksaanwijzing van de fabrikant van de thermometer om v an graden Celsius naar graden Fahrenheit over te schakelen.

**Opmerking** De Braun ThermoScan PRO 6000-thermometer laadt niet op tijdens ECG-bewaking. Als de ECG-bewaking stopt, laadtthermometer automatisch verder op.

## Netvoeding aansluiten

De wandunit gebruikt zowel batterijen als wisselstroom. Nadat u alle overige instelactiviteiten hebt voltooid, kunt u stroom op de wandunit aansluiten.

1. Plaats de voedingsstekker in een contactdoos om de monitor van stroom te voorzien en de batterij op te laden.



**Opmerking** Nieuwe batterijen zijn slechts voor dertig procent opgeladen. U moet de wandunit op wisselstroom aansluiten om de batterij helemaal op te laden. Sluit het netsnoer niet aan voordat u alle voorbereidende stappen hebt voltooid.

2. Ga verder met Aan de slag.

## Aan de slag

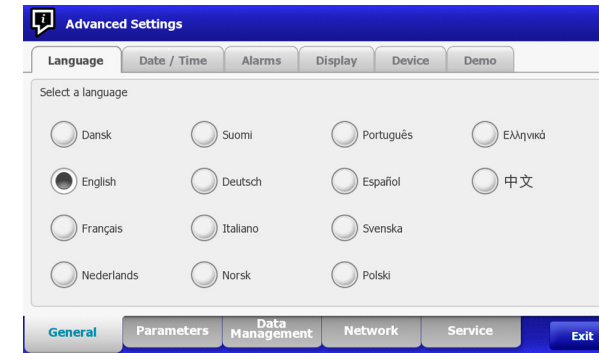
### De wandunit inschakelen

Druk op om de wandunit in te schakelen.

### Een taal selecteren

Wanneer u de wandunit voor de eerste keer inschakelt, wordt het scherm voor taalselectie weergegeven.

1. Selecteer uw taal.



2. Raak **Afsluiten** aan.

Het tabblad Home wordt weergegeven.

### Datum en tijd instellen

1. Raak het tabblad **Instellingen** aan.
2. Raak het tabblad **Apparaat** aan.

3. Raak de pijl omhoog of omlaag aan of raak aan en voer een waarde in om de waarden voor datum en tijd te wijzigen.

Herhaal dit voor elke waarde die u wilt wijzigen.

**Opmerking** De datum- en tijdmarkeringen op opgeslagen patiëntmetingen worden aangepast in reactie op nieuwe datum- en tijdstellingen.

### De standaardconfiguratie instellen

1. Raak het tabblad **Instellingen** aan.
2. Raak het tabblad **Apparaat** aan.
3. Voer de gewenste instellingen in die u wilt toevoegen of wijzigen of pas deze aan.

**Opmerking** De nieuwe instellingen worden na voltooiing weergegeven, maar zijn tijdelijk totdat deze zijn opgeslagen.

4. Raak **Opslaan als standaard** aan.
5. Raak **OK** aan om te bevestigen dat u uw vorige instellingen wilt overschrijven en deze wilt vervangen door uw huidige instellingen in de standaardstartconfiguratie. Of raak **Annuleren** aan om de vorige instellingen te behouden.

Nadat u de monitor opnieuw hebt gestart, worden de nieuwe instellingen opgeslagen als de standaardstartinstellingen.

**Opmerking** Als uw wandunit is verbonden met een netwerk, worden de datum- en tijdstellingen gesynchroniseerd met de netwerkinstellingen.

**Opmerking** De datum- en tijdmarkeringen op opgeslagen patiëntmetingen worden aangepast in reactie op nieuwe datum- en tijdstellingen.

Welch Allyn, Inc.  
4341 State Street Road  
Skaneateles Falls, NY 13153 USA  
Tel. +1 800 535 6663 of +1 315 685 4560 • Fax. +1 315 685 3361  
www.welchallyn.com

De CE-markering duidt aan dat het apparaat voldoet aan alle essentiële eisen van de Europese richtlijn inzake medische hulpmiddelen 93/42/EEG.

Vertegenwoordiger inzake naleving regelgevingsaangelegenheden, Welch Allyn Limited  
Navan Business Park, Dublin Road, Navan, County Meath, Republiek Ierland

© 2017 Welch Allyn, Inc. Alle rechten voorbehouden. Welch Allyn is niet verantwoordelijk voor enige schade jegens enige persoon of voor onrechtmatig of oneigenlijk gebruik van het product dat voortvloeit uit een verzuim het product te gebruiken in overeenstemming met de voorschriften, voorzorgsmaatregelen of waarschuwingen in deze startgids. Welch Allyn is een gedeponeerde handelsmerk van Welch Allyn, Inc.

Revisiedatum: 2017-05  
Welch Allyn Technical Support  
www.welchallyn.com/support



**Welch Allyn Connex® Integrated Wall System**

Giuda all'avvio

**ITALIANO**

**Impostazione**

**Attenzione** Welch Allyn non è responsabile dell'integrità delle interfacce di montaggio a parete. Welch Allyn consiglia ai clienti di rivolgersi ai rispettivi reparti biomedicali o al servizio di assistenza per garantire un'installazione professionale, la sicurezza e l'affidabilità di qualsiasi accessorio di montaggio.

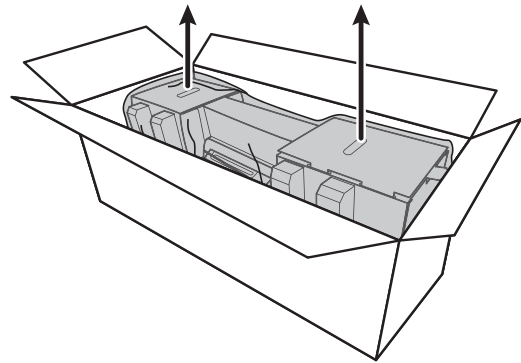
**Nota** Alcune caratteristiche del prodotto descritte nella presente pubblicazione potrebbero non essere disponibili nel Suo paese. Per le informazioni più aggiornate su prodotti e caratteristiche, rivolgersi all'Assistenza clienti Welch Allyn.

**Disimballare il sistema a parete**

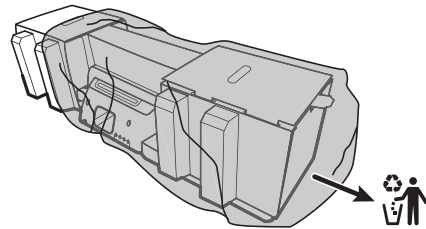
Questa procedura si riferisce all'installazione iniziale del sistema a parete.

**Attenzione** Per un assemblaggio facile e sicuro, seguire scrupolosamente queste istruzioni.  
**Attenzione** Non rimuovere nessuno dei materiali di imballaggio intorno al sistema a parete finché non viene espressamente indicato nelle istruzioni.

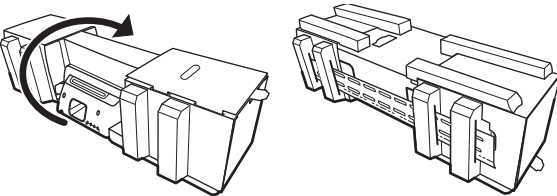
1. Estrarre il sistema a parete dalla scatola tramite le impugnature di cartone.



2. Mentre il sistema a parete è ancora nel suo materiale di imballaggio, posizionarlo su un tavolo o una superficie di lavoro piana e rimuoverlo dall'involucro di plastica.




3. Ruotare il sistema a parete in modo che il retro del sistema sia rivolto verso l'alto.

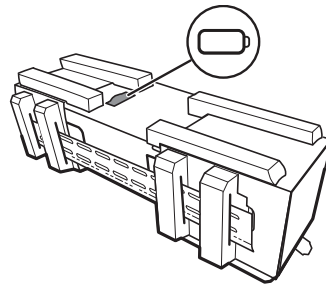


**Inserimento della batteria**

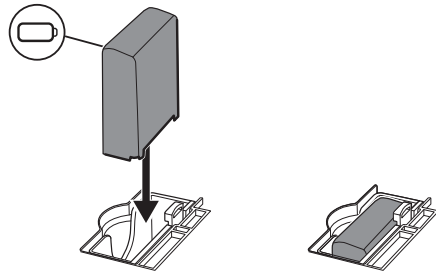
Questa procedura si riferisce all'installazione iniziale del sistema a parete. Quindi si presume che il sistema a parete sia spento.

**AVVERTENZA** Rischio di incendio, esplosione e ustioni. Non mettere la batteria in cortocircuito, non frantumarla, bruciarla o smontarla.

1. Individuare il vano della batteria, indicato da .

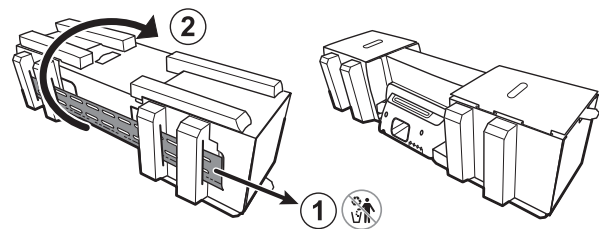


2. Inserire la batteria (si trova in un sacchetto di plastica rosa antistatico nella scatola degli accessori).

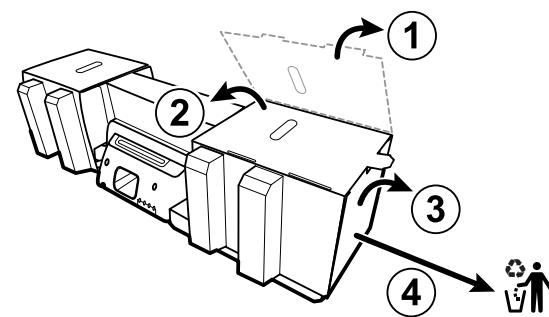


**Preparazione del montaggio**

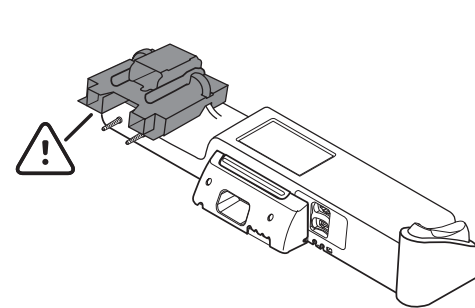
1. Sfilare la guida della staffa di montaggio dal materiale di imballaggio e metterla da parte. Non gettarla. Ruotare il sistema a parete in modo che il retro poggia sul tavolo/sulla superficie di lavoro piana.



2. Rimuovere le coperture in cartone alle estremità e metterle da parte per riciclarle.

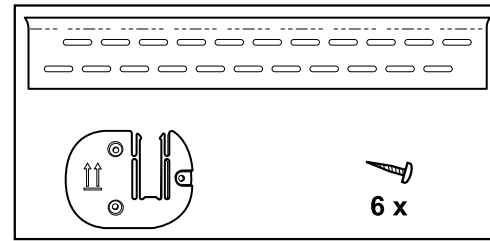


**Attenzione** Per il momento non rimuovere il cartone che fissa le impugnature sul lato sinistro del sistema a parete. Il cartone previene eventuali danni a questi strumenti durante la fase di montaggio.



**Inventario dei dispositivi di montaggio**

Utilizzare quanto segue per montare il sistema a parete.



- Staffa di montaggio
- Staffa del contenitore accessori
- Viti

**Elenco strumenti**

Utilizzare quanto segue per montare il sistema a parete.

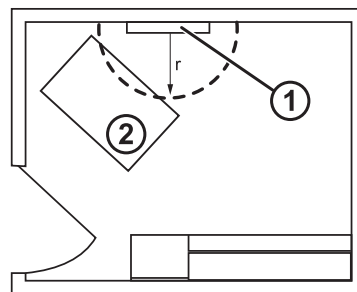
- Cacciavite Phillips n°2
- Livella
- Metro
- Rilevatore di particelle metalliche
- Trapano
- Punta per trapano di 3,17 mm di diametro

**Posizione di montaggio**

Prima di montare il sistema a parete, prendere in considerazione i consigli seguenti per individuare la posizione di montaggio ideale:

- Montare il sistema a parete sui perni.
- Montare il sistema a parete nelle vicinanze di una presa di alimentazione CA. Il cavo di alimentazione è lungo 2,44 m.
- Evitare aree molto illuminate.
- Il tubo della pressione sanguigna è lungo 2,44 m.
- Posizionare il sistema a parete in modo che tutti gli strumenti siano accessibili e ubicati in un luogo che consenta di effettuare esami in modo ergonomico.

**Layout di una stanza campione**



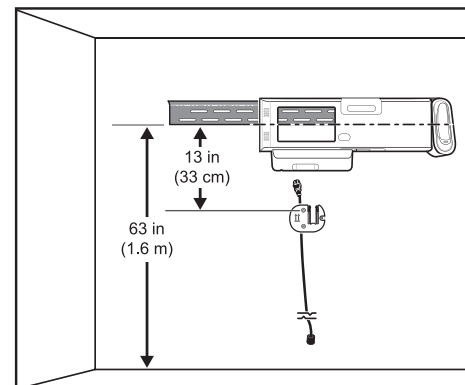
1. Connex Integrated Wall System
2. Lettino

**Montaggio del sistema a parete**

1. Sulla parete selezionata, trovare e contrassegnare le parti metalliche, quindi scegliere l'altezza del sistema e quella corrispondente per la staffa di montaggio.

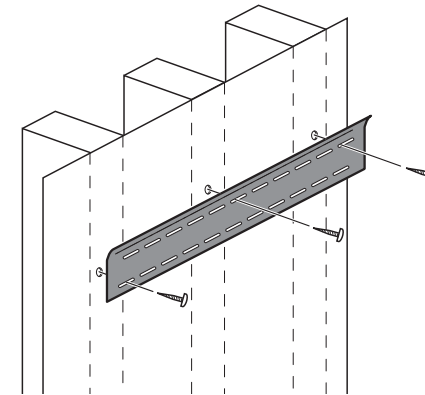
**Raccomandazione:** Posizionare la staffa di montaggio a 1,6 m dal pavimento, ponendo così l'altezza del centro dello schermo a circa 1,6 m dal pavimento.

**Attenzione** Questa illustrazione mostra le relazioni fisiche reciproche fra staffe di montaggio e sistema a parete **dopo** aver completato quanto richiesto dalle istruzioni di montaggio. Non posizionare il sistema sulla parete finché non sono state completate tutte le fasi preliminari.

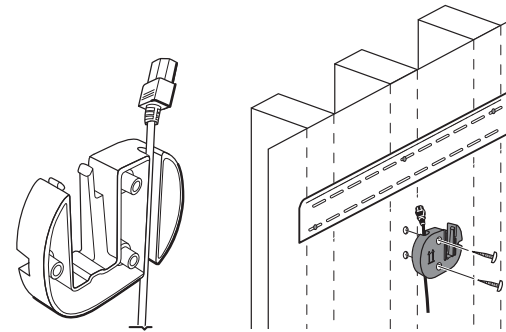


2. Fissare la staffa di montaggio e tre perni all'altezza selezionata utilizzando le viti disponibili (per un supporto aggiuntivo vengono forniti degli ancoraggi).

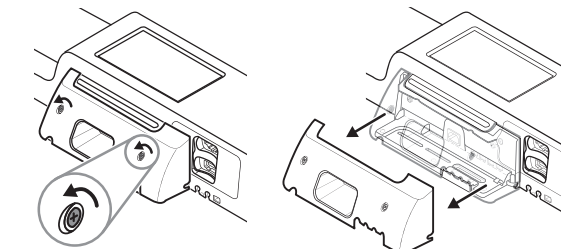
**Attenzione** Assicurarsi che il "labbro" superiore della staffa fuoriesca dal muro e che la staffa stessa sia in posizione orizzontale.



3. Far passare il cavo di alimentazione attraverso il canale sul retro della staffa del contenitore per accessori, quindi montare la staffa sul perno centrale almeno 33 cm al di sotto della guida della staffa di montaggio.

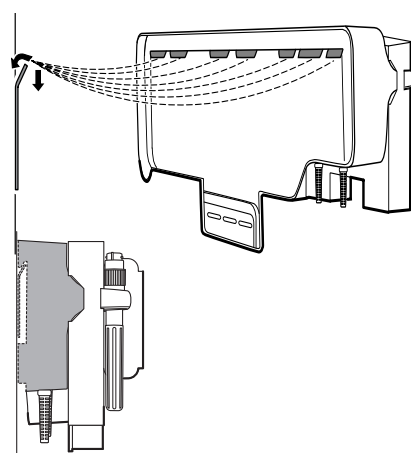


4. Prima di montare il sistema a parete, rimuovere il coperchio allentando le viti di ritenzione.



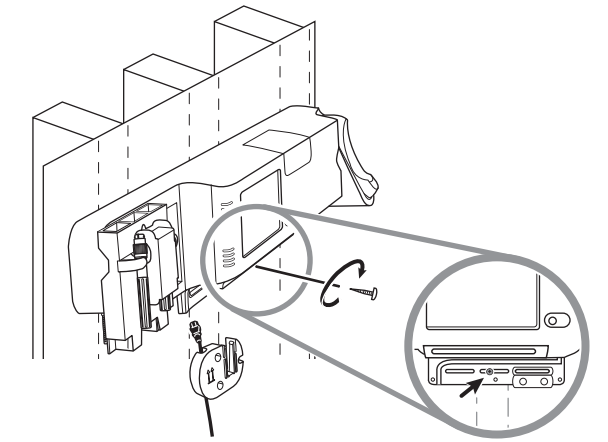
5. Appendere il sistema a parete sulla guida della staffa di montaggio.

**AVVERTENZA** Assicurarsi che le "linguette" sul retro del sistema a parete si incastrino perfettamente nella guida della staffa di montaggio. Il sistema a parete dovrebbe essere in posizione orizzontale e rasente al muro.

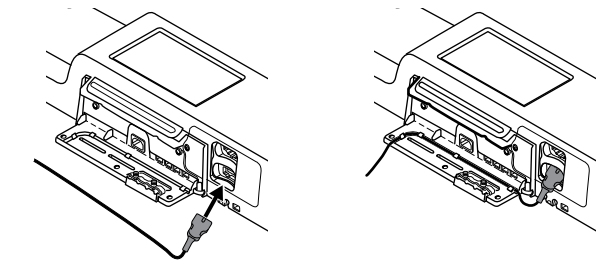


6. Selezionare uno dei tre slot disponibili in fondo all'unità che si sovrappone a un perno e, con la vite rimanente, assicurare l'unità al perno.

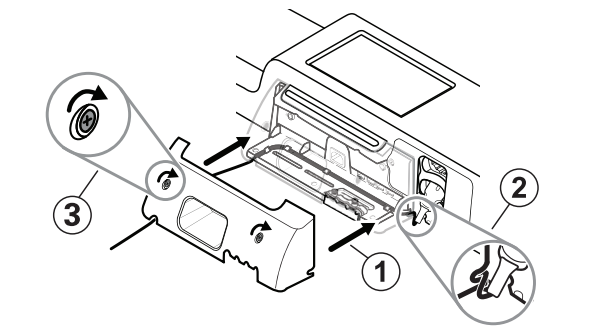
**AVVERTENZA** La mancata installazione di questa vite di sicurezza potrebbe portare a lesioni personali e danni alle apparecchiature.



7. Se l'unità a parete è configurata per SpO2, connettere il cavo SpO2 e farlo passare attraverso il canale al di sopra della vite di sicurezza appena installata.

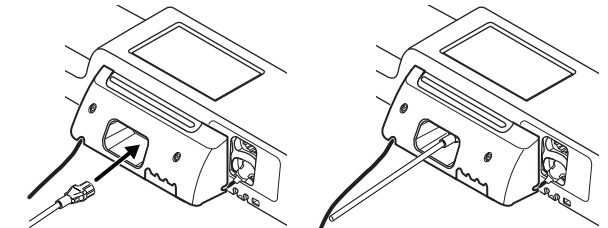


8. Ricollocare il coperchio.  
 a. Infilare il cavo SpO2 attraverso i fori sulla parte superiore destra e inferiore sinistra del coperchio



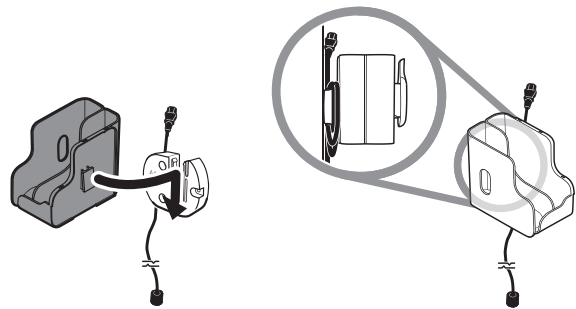
b. Serrare le due viti di ritenzione.

9. Collegare il cavo di alimentazione all'unità a parete. Per il momento non inserire il cavo in una presa di corrente.

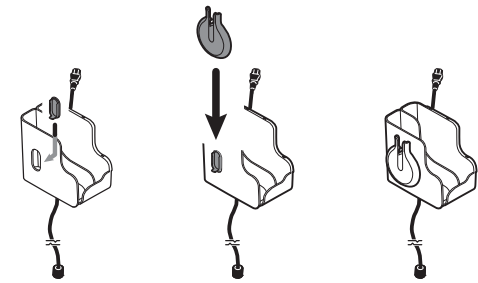


## Montare la staffa del contenitore degli accessori

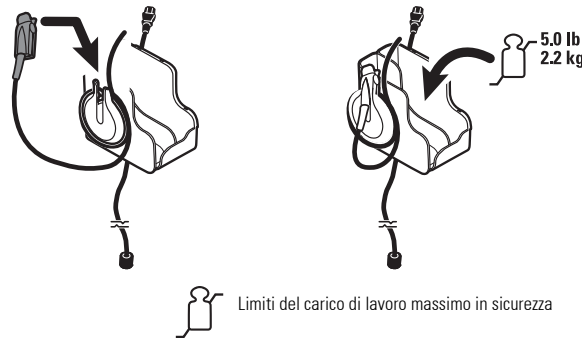
1. Montare il contenitore degli accessori sull'apposita staffa, quindi avvolgere il cavo di alimentazione intorno alla staffa del contenitore degli accessori, senza formare avvolgimenti troppo stretti.



2. Se il sistema a parete in uso è configurato per SpO2, applicare la bobina SpO2 al contenitore degli accessori facendola scivolare sulla pinza di ritenzione.

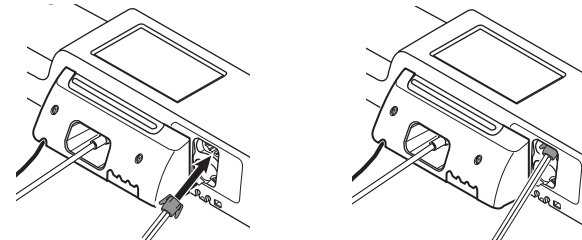


3. Orientare in modo appropriato e inserire il cavo del sensore SpO2 nel connettore del cavo del paziente (è appena stata collegata l'estremità opposta del cavo del sensore al sistema a parete). Assicurarsi che il cavo del sensore sia inserito completamente, poi chiudere il coperchio protettivo (fare riferimento alle istruzioni per l'uso del produttore del sensore).
4. Arrotolare il cavo SpO2 del paziente in eccesso intorno alla bobina, quindi posizionare il sensore SpO2 a dito nel supporto SpO2.



## Connettere il tubo flessibile della pressione sanguigna (NIBP)

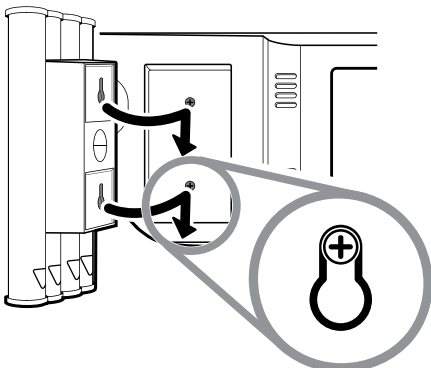
1. Allineare il connettore del tubo con la relativa porta sul fondo del monitor.
2. Inserire il connettore del tubo, premendo con decisione fino a farlo scattare in posizione.



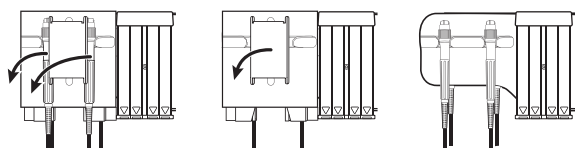
3. Applicare un bracciale per pressione sanguigna ai tubi (fare riferimento alle istruzioni per l'uso del bracciale), quindi riporre il bracciale nel contenitore degli accessori.

## Impostazione delle impugnature dello strumento di valutazione fisica e del dispenser di speculum

1. Applicare il dispenser di speculum. Assicurarsi che le slot di chiusura codificate sul retro del dispenser si incastrino con le viti sul sistema a parete, quindi spingere con decisione verso il basso.



2. Rimuovere il cartone che fissa le impugnature dello strumento.



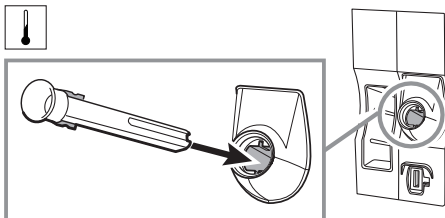
3. Collegare le testine dello strumento Welch Allyn 3.5V selezionate alle impugnature. Fare riferimento alle istruzioni per l'uso di ciascuna testina dello strumento.

## Impostazione del termometro SureTemp® Plus

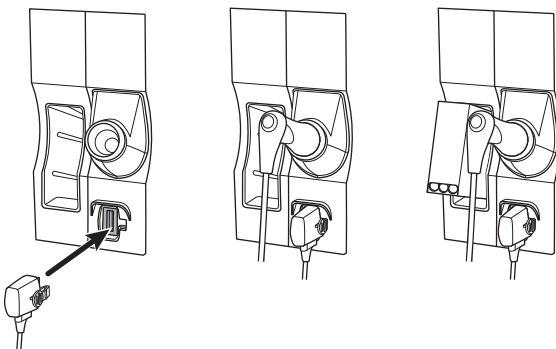
Se il sistema a parete è configurato per un termometro SureTemp Plus, attenersi alle istruzioni di installazione seguenti.

1. Allineare il pozzetto della sonda con le linguette rivolte verso l'alto e verso il basso, quindi inserirlo nel modulo della temperatura.

Una volta inserito completamente, il pozzetto della sonda si blocca in posizione.



2. Tenere il connettore del cavo della sonda della temperatura con la linguetta flessibile sulla destra e inserirlo nella porta della sonda del modulo della temperatura. Spingerlo in posizione fino a farlo scattare.
3. Inserire la sonda della temperatura nel pozzetto della sonda.
4. Aprire una scatola di coperture delle sonde e posizionarla nell'apposito contenitore.

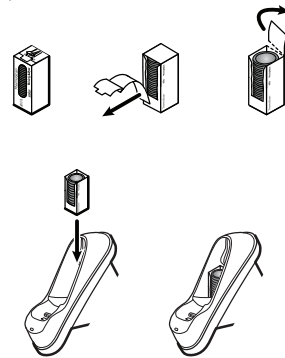


- Nota** Posizionare le restanti scatole di coperture per sonde nel vano di stoccaggio in cima al sistema a parete.

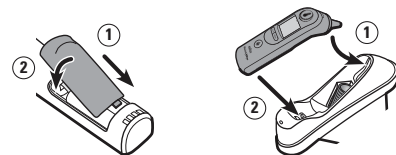
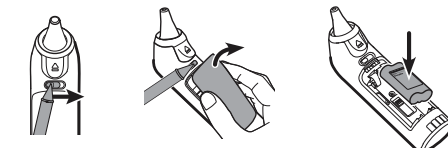
## Installazione del termometro Braun ThermoScan® PRO

Se la parete è configurata per un termometro Braun ThermoScan, attenersi alle istruzioni di installazione seguenti.

1. Rimuovere il termometro dalla confezione. Quindi aprire una scatola di coperture delle sonde e posizionarla nel dock.



2. Rimuovere il coperchio del termometro, inserire la batteria, sostituire il coperchio del termometro, quindi posizionare il termometro nel dock.



3. Caricare il termometro Braun per 24 ore prima di utilizzarlo.
4. Per passare dai gradi Celsius ai Fahrenheit e viceversa, consultare le istruzioni per l'uso del produttore del termometro.

- Nota** Il termometro Braun ThermoScan PRO 6000 non si carica durante il monitoraggio ECG. Al termine del monitoraggio ECG, il termometro riprende automaticamente a caricarsi.

## Connessione del cavo di alimentazione

Il sistema a parete utilizza sia la batteria che la corrente elettrica. Dopo aver completato tutte le altre fasi di installazione, è possibile accendere il sistema a parete.

1. Inserire la spina in una presa di alimentazione per alimentare il monitor e caricare la batteria.



- Nota** Le batterie nuove sono cariche solo al 30%. Inserire la spina in una presa di alimentazione per caricare completamente la batteria. Non inserire il cavo di alimentazione finché non sono state completate tutte le fasi preliminari.

2. Procedere all'avvio.

## Avvio

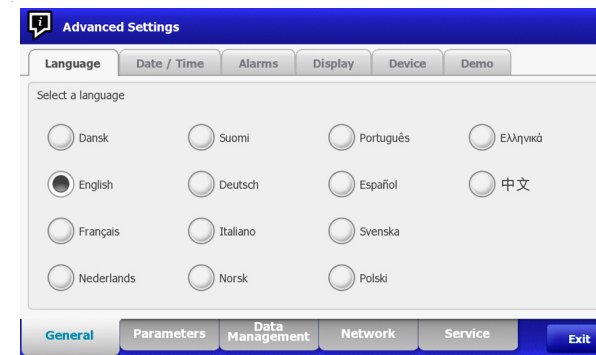
### Accensione del sistema a parete

Premere  per accendere il sistema a parete.

### Selezionare una lingua

Quando si avvia il sistema a parete per la prima volta, compare la schermata di selezione della lingua.

1. Selezionare la lingua da utilizzare.




2. Premere **Esci**.

Viene visualizzata la scheda Home.

### Impostazione di data e ora

1. Toccare la scheda **Impostazioni**.
2. Toccare la scheda **Dispositivo**.
3. Per modificare i valori di data e ora, utilizzare le frecce verso l'alto e verso il

basso, oppure premere  e inserire un valore.

Ripetere per ciascun valore che si desidera modificare.

- Nota** I timbri della data e dell'ora sulle misurazioni salvate del paziente si regoleranno in base alle nuove impostazioni di data e ora.

### Impostazione della configurazione predefinita

1. Toccare la scheda **Impostazioni**.
2. Toccare la scheda **Dispositivo**.
3. Immettere o regolare le impostazioni che si desidera aggiungere o modificare.

- Nota** Le nuove impostazioni vengono visualizzate non appena vengono impostate, ma occorre salvarle per renderle definitive.


4. Toccare **Salva come predefinito**.
5. Toccare **OK** per confermare che si desidera sovrascrivere le impostazioni precedenti e sostituirle con quelle attuali nella configurazione di avvio predefinita. Oppure toccare **Annulla** per mantenere le impostazioni precedenti.

Le nuove impostazioni vengono salvate come impostazioni di avvio predefinite una volta riavviato il monitor.

- Nota** Se il sistema a parete è collegato a una rete, le impostazioni della data e dell'ora sono sincronizzate con le impostazioni di rete.

- Nota** I timbri della data e dell'ora sulle misurazioni salvate del paziente si regoleranno in base alle nuove impostazioni di data e ora.

 Welch Allyn, Inc.  
4341 State Street Road  
Skaneateles Falls, NY 13153 USA  
Tel. +1 800 535 6663 o +1 315 685 4560 • Fax. +1 315 685 3361  
www.welchallyn.com

 La marcatura CE indica che il prodotto soddisfa i requisiti essenziali della Direttiva sui dispositivi medicali 93/42/CEE.

 Rappresentante Affari regolatori, Welch Allyn Limited  
Navan Business Park, Dublin Road, Navan, County Meath, Republic of Ireland

© 2017 Welch Allyn, Inc. Tutti i diritti riservati. Welch Allyn non si assume alcuna responsabilità per eventuali infortuni a qualsiasi utente o per l'uso illegale o improprio del prodotto, che risulti dal mancato utilizzo di questo prodotto in conformità alle istruzioni, alle precauzioni, alle avvertenze pubblicate in questa guida all'avvio. Welch Allyn è un marchio registrato di Welch Allyn, Inc.

Data di revisione: 2017-05  
Welch Allyn Technical Support  
www.welchallyn.com/support



**Welch Allyn Connex® Integrated Wall System**  
**Opstartsvejledning**

**DANSK**

**Opsætning**

**Forsigtig** Welch Allyn er ikke ansvarlig for integriteten af vægmonteringsstilslutninger. Welch Allyn anbefaler, at du kontakter din biomedicinske teknikafdeling eller vedligeholdelsesafdeling for at sikre, at monteringsstilbehøret er installeret professionelt, sikkert og pålideligt.

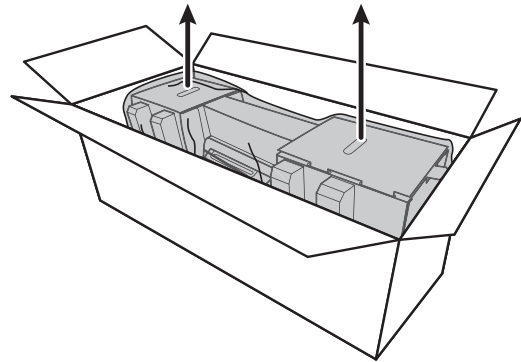
**Bemærk** Nogle af de produkttegenskaber, der er beskrevet i denne vejledning, er muligvis ikke tilgængelige i dit land. Hvis du ønsker den seneste information om produkter og egenskaber, kan du kontakte Welch Allyn's kundeservice.

**Udpakning af vægsystemet**

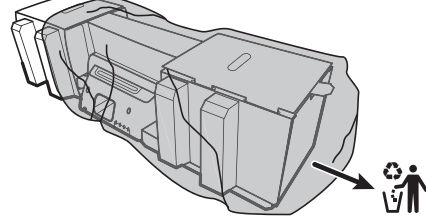
Denne procedure gælder, første gang vægsystemet opsættes.

**Forsigtig** Du skal følge disse instruktioner nøje for at sikre, at det er sikkert og let at samle.  
**Forsigtig** Fjern ikke noget af pakkematerialet omkring vægsystemet, før instruktionerne beder dig om det.

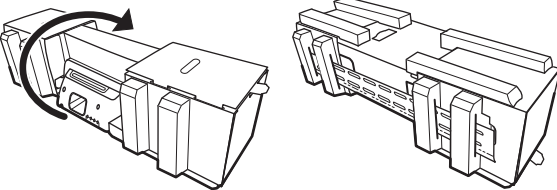
1. Løft vægsystemet ud af kassen ved hjælp af paphåndtagene.



2. Mens vægsystemet stadig er i sin emballage, anbringes det på et bord eller en flad arbejdsflade og fjernes fra plastikposen.




3. Vend vægsystemet om, således at bagsiden af vægsystemet vender opad.

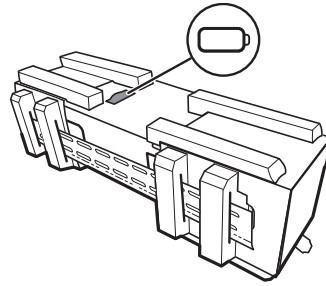


**Indsæt batteriet**

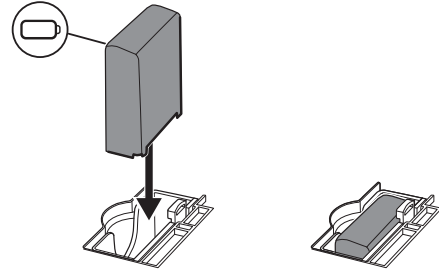
Denne procedure gælder, første gang vægsystemet opsættes. Det antages derfor, at vægsystemet er slukket.

**ADVARSEL** Risiko for brand, eksplosion og forbrændinger. Batteripakken må ikke kortsluttes, knuses, forbrændes eller skilles ad.

1. Find batterirummet, der angives med .

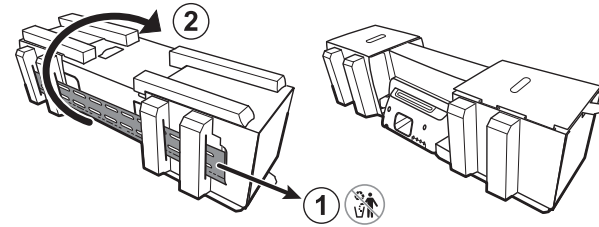


2. Indsæt batteriet. (Batteriet er i en lys rød antistatisk pose i tilbehørsæskan).

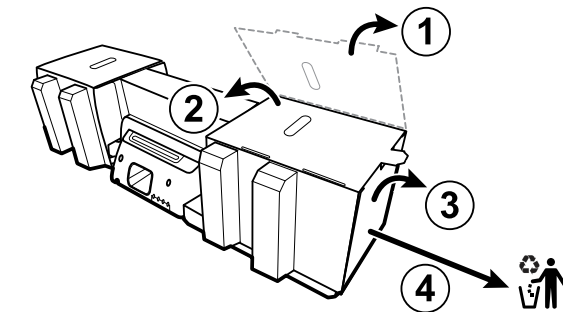


**Forberedelser til montering**

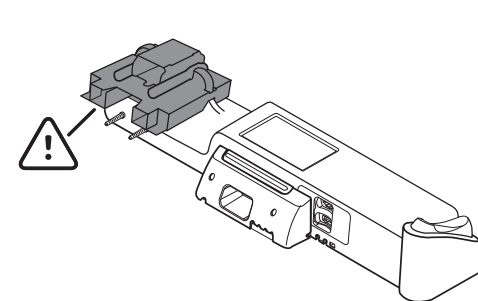
1. Træk monteringsskinnebeslaget ud af emballagen, og læg det til side. Kassér det ikke. Vend derefter vægsystemet om, så det ligger på bagsiden.



2. Fjern pappet i enderne som vist, og læg det til side til genbrug.

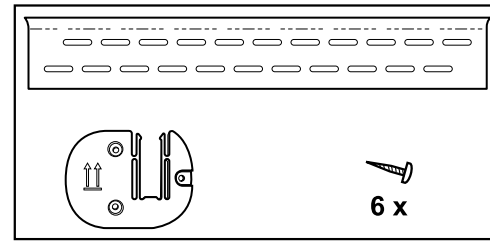


**Forsigtig** Fjern endnu ikke det pap, der holder håndtagene på venstre side af vægsystemet. Pappet forhindrer beskadigelse af instrumenterne under monteringen.



**Liste over hardware til montering**

Brug disse genstande til at montere vægsystemet.



- Skinnebeslag til montering
- Beslag til tilbehørsholder
- Skruer

**Liste over værktøj**

Brug dette værktøj til at montere vægsystemet.

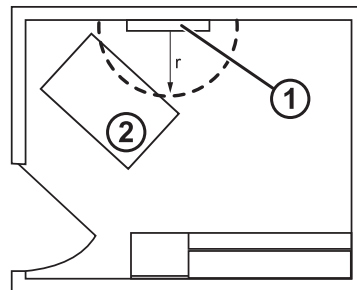
- nr. 2 Phillips-skruetrækker
- vaterpas
- målebånd
- stolpefinder
- bor
- borehoved med diameter på 3,17 mm (1/8 tomme)

**Monteringssted**

Inden montering af vægsystemet skal følgende anbefalinger overvejes for at bestemme det bedste monteringssted:

- Monter vægsystemet på stolper.
- Monter vægsystemet inden for rækkevidde af en stikkontakt. Elledningen er 2,44 m lang (8 fod).
- Undgå kraftigt oplyste områder.
- Blodtryksslangen er 2,44 m lang (8 fod).
- Placer vægsystemet således, at alle instrumenter er tilgængelige, og på et sted, hvor der kan foretages ergonomiske undersøgelser.

**Eksempel på indretning af lokale**



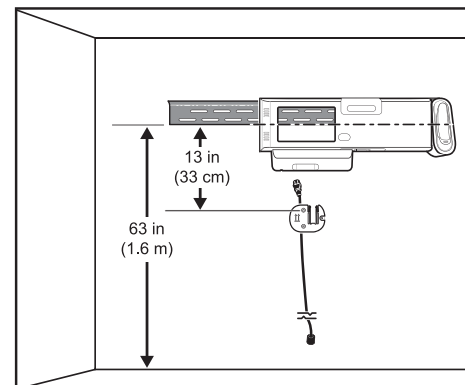
1. Connex Integrated Wall System
2. Undersøgelsesleje

**Montering af vægsystemet**

1. På den valgte væg findes og markeres stolperne, og systemets højde vælges samt den tilsvarende højde for monteringsskinnebeslaget.

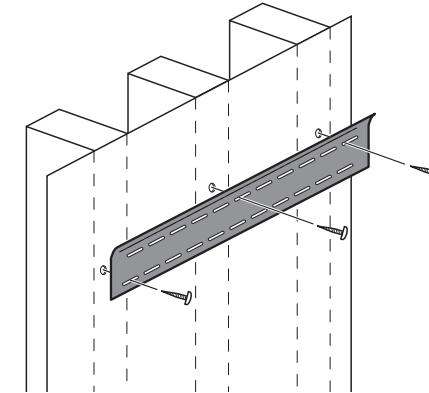
**Anbefaling:** Anbring monteringsskinnebeslaget 1,6 m (63 tommer) fra gulvet, således at skærmens midterhøjde er ca. 1,6 m (63 tommer) fra gulvet.

**Forsigtig** Denne tegning viser det fysiske forhold mellem monteringsbeslagene og mellem dem og vægsystemet, **efter** at du har fulgt monteringsanvisningerne. Vægsystemet må ikke anbringes på væggen, før du har udført alle de indledende trin.

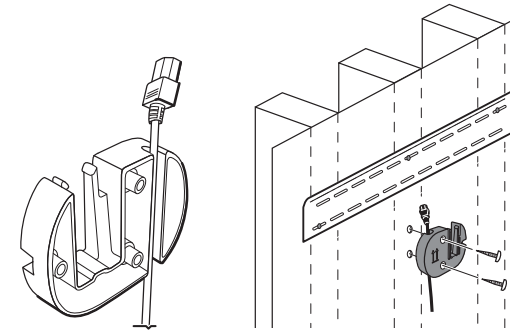


2. Monter monteringsskinnebeslaget på tre stolper i den valgte højde med de leverede skruer (der medfølger ankre som yderligere støtte).

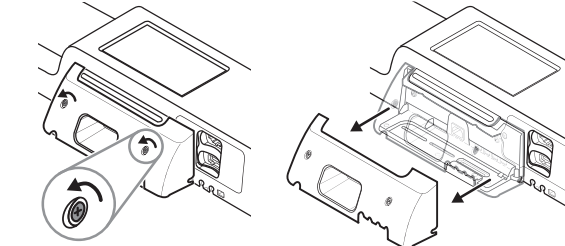
**Forsigtig** Sørg for, at beslagets overkant stikker ud fra væggen, og at beslaget er i vater.



3. Træk elledningen gennem kanalen bag på beslaget til tilbehørsholderen, og monter derefter beslaget på midterstolpen mindst 33 cm (13 tommer) under monteringsskinnebeslaget.

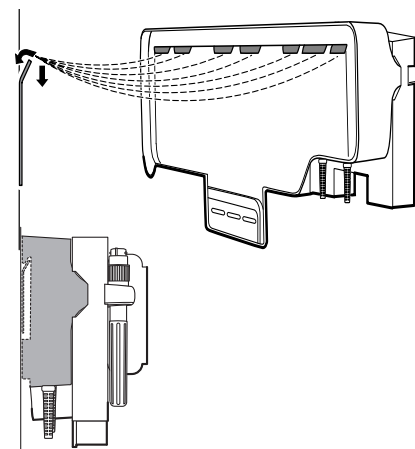


4. Før vægsystemet monteres, fjernes dækslet ved at løse holdeskrue.



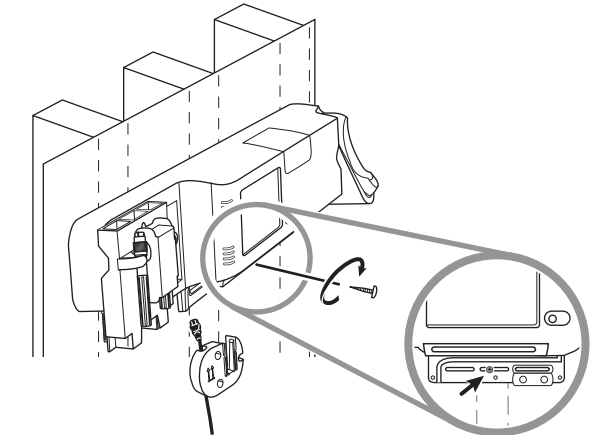
5. Hæng vægsystemet på monteringsskinnebeslaget.

**ADVARSEL** Sørg for, at "ribberne" på vægsystemets bagside griber helt ind i monteringsskinnebeslaget. Vægsystemet skal være vandret og hænge helt ind mod væggen.

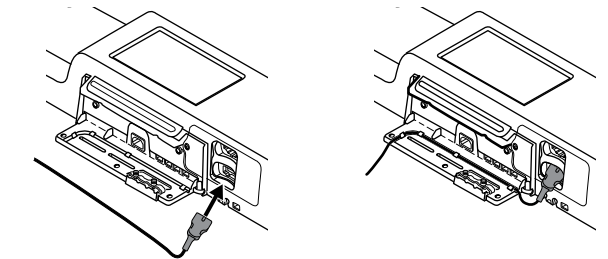


6. Vælg en af de tre slots i bunden af enheden, som overlapper stolpen, og fastgør enheden til stolpen med den tilbageværende skrue.

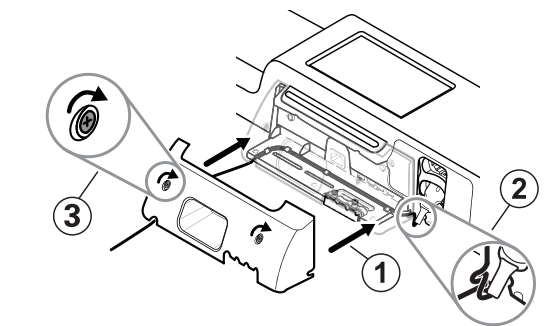
**ADVARSEL** Hvis denne sikkerhedsskrue ikke monteres, kan det medføre skader på personer og udstyr.



7. Hvis vægenheden er konfigureret til SpO2, tilsluttes SpO2-kablet og trækkes gennem kanalen over den sikkerhedsskrue, du netop har monteret.

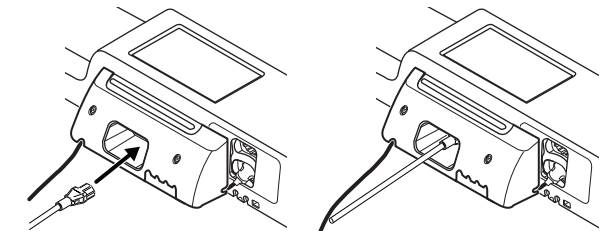


8. Sæt dækslet på igen.  
a. Træk SpO2-kablet gennem åbningerne øverst til højre og nederst til venstre på dækslet



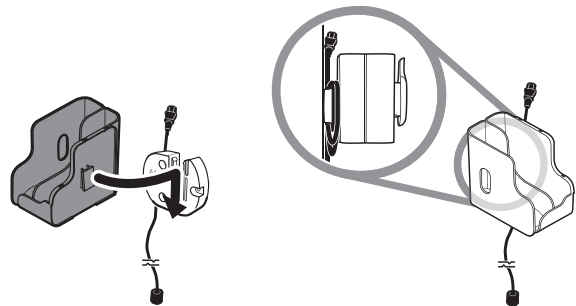
b. Spænd de to holdeskrue.

9. Slut systemets elledning til vægenheden. Sæt ikke elledningen i stikkontakten på nuværende tidspunkt.

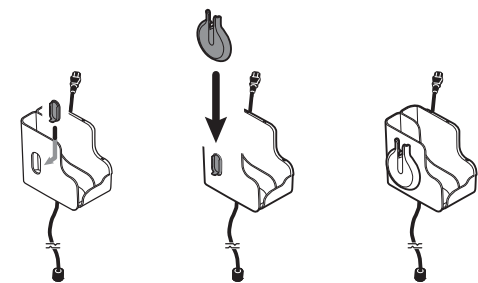


## Montering af tilbehørsholder

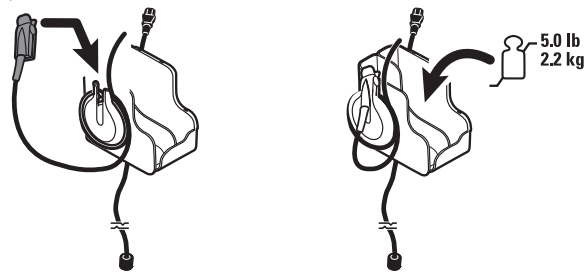
1. Monter tilbehørsbeholderen på beslaget til tilbehørsholderen, og vikl derefter den overskydende elledning løst rundt om beslaget til tilbehørsbeholderen.




2. Hvis vægssystemet er konfigureret til SpO2, fastgøres SpO2-spolen på tilbehørsbeholderen ved at skubbe den ned over holdeklipsen.



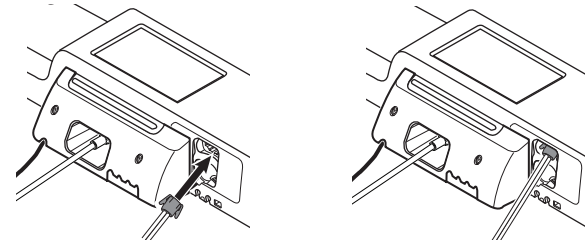
3. Vend SpO2-sensorkablet korrekt, og indsæt det i patientkabeltilslutningen. (Du har lige sluttet den modsatte ende af sensorkablet til vægssystemet). Sørg for, at sensorkablet er sat helt i, og luk derefter beskyttelsesdækslet. (Se sensorproducentens brugsanvisning).
4. Vikl det overskydende SpO2-patientkabel omkring spolen, og anbring SpO2-fingerklemmen i SpO2-holderen.



 Sikre maksimumgrænser for arbejdsbelastning

## Tilslutning af blodtrykslange (NIBP)

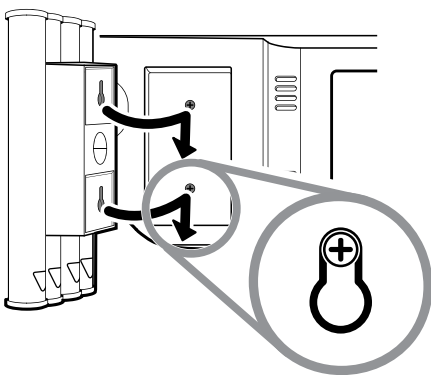
1. Juster slangetilslutningen med porten på bunden af monitoren.
2. Indsæt slangetilslutningen, og tryk til, indtil den klikker på plads.



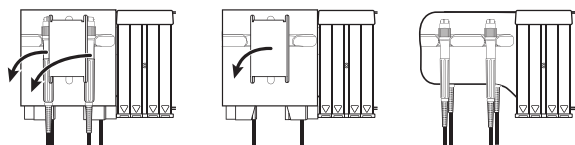
3. Monter en blodtryksmanchet på slangen (se manchetproducentens brugsanvisning), og opbevar manchetten i tilbehørsbeholderen.

## Opsætning af instrumenthåndtag til fysisk undersøgelse og speculumdispenser

1. Fastgør speculumdispenseren. Sørg for, at nøglehulslåseåbningerne bag på dispenseren griber om låseskruerne på vægssystemet, og tryk ned.



2. Fjern det pap, som holder instrumenthåndtagene.



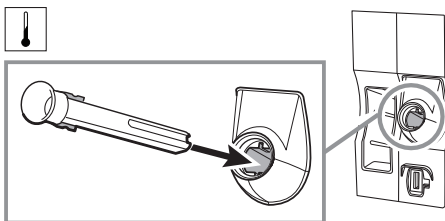
3. Fastgør de ønskede Welch Allyn 3,5V-instrumenthoveder til håndtagene. Se brugsanvisningerne for hvert instrumenthoved.

## Opsætning af SureTemp® Plus-termometer

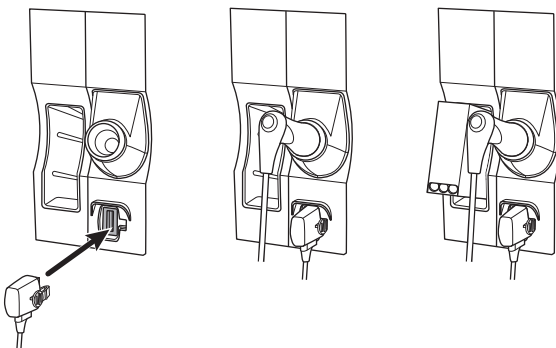
Hvis dit vægssystem er konfigureret til et SureTemp Plus-termometer, skal du følge disse instruktioner til opsætning.

1. Anbring probeholderen ud for de tapper, der vender op og ned, og indsæt probeholderen i temperaturmodulet.

Probeholderen klikker på plads, når den sidder helt i.



2. Hold temperaturprobens kabeltilslutning med fjedertappen til højre, og indsæt den i temperaturmodulets probeport. Skub den på plads, så den klikker.
3. Indsæt temperaturproben i probeholderen.
4. Åbn en æske med probeovertræk, og anbring den i holderen til æsker med probeovertræk.

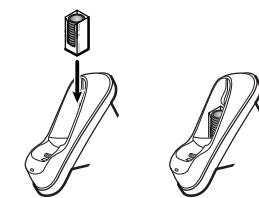
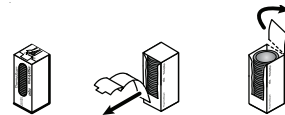


**Bemærk** Anbring ekstra æsker med probeovertræk i opbevaringsrummet øverst i vægssystemet.

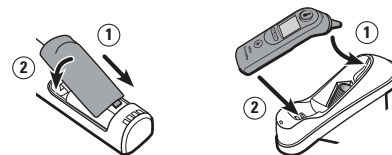
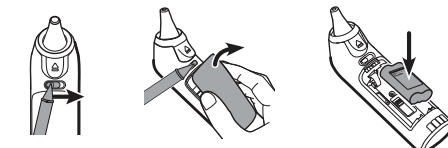
## Opsætning af Braun ThermoScan® PRO -termometer

Hvis dit vægssystem er konfigureret til et Braun ThermoScan-termometer, skal du følge disse instruktioner til opsætning.

1. Fjern termometeret fra pakken. Åbn derefter en æske med probeovertræk, og anbring den i holderen.



2. Fjern termometerdækslet, indsæt batteriet, sæt termometerdækslet på igen, og anbring termometeret i holderen.



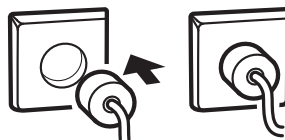
3. Oplad Braun-termometeret i 24 timer før brug.
4. For skift fra grader celsius til grader fahrenheit henvises der til termometerproducentens brugsanvisning.

**Bemærk** Braun ThermoScan PRO 6000-termometeret oplades ikke under EKG-monitorering. Når EKG-monitorering stopper, genoptager termometeret automatisk opladning.

## Tilslutning af netstrøm

Vægssystemet anvender både batteri og netstrøm. Når alle andre opsætningsaktiviteter er afsluttet, kan du sætte strøm på vægssystemet.

1. Indsæt stikket i en stikkontakt for at sætte strøm på monitoren og oplade batteriet.



**Bemærk** Nye batterier er kun 30 % opladede. Du skal slutte vægssystemet til netstrøm for at lade batteriet helt op. Sæt ikke elledningen i, før du har udført alle de indledende trin.

2. Gå videre til opstart.

## Opstart

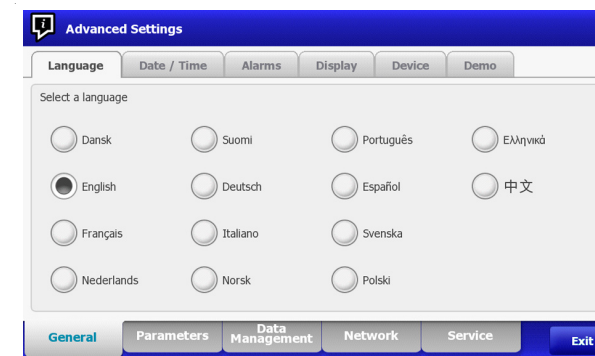
### Tænd for vægssystemet

Tryk på  for at tænde for vægssystemet.

### Vælg et sprog

Når du tænder vægssystemet for første gang, kommer skærmbilledet til valg af sprog frem.

1. Vælg dit sprog.



2. Tryk på **Afslut**.

Fanen Start vises.

### Indstil dato og tid

1. Tryk på fanen **Indstillinger**.
2. Tryk på fanen **Apparat**.
3. Tryk på piletasterne op og ned eller på  og indtast en værdi for at ændre dato og tid.

Gentag for hver værdi, du vil ændre.

**Bemærk** Dato- og tidsstemplerne på gemte patientmålinger justeres i henhold til de nye dato- og tidsindstillinger.

### Indstil standardkonfiguration

1. Tryk på fanen **Indstillinger**.
2. Tryk på fanen **Apparat**.
3. Indtast eller juster de indstillinger, du ønsker at tilføje eller ændre.

**Bemærk** De nye indstillinger fremstår som færdige, men de er kun midlertidige, indtil de er gemt.


4. Tryk på **Gem som standard**.
5. Tryk på **OK** for at bekræfte, at du ønsker at overskrive dine tidligere indstillinger og erstatte dem med dine aktuelle indstillinger i opstartens standardkonfiguration. Eller tryk på **Annuler** for at beholde de forrige indstillinger.

De nye indstillinger gemmes som standardopstartsindstillinger, når du genstarter monitoren.

**Bemærk** Hvis vægssystemet er tilsluttet netværket, synkroniseres dato- og tidsindstillinger med netværkets indstillinger.

**Bemærk** Dato- og tidsstemplerne på gemte patientmålinger justeres i henhold til de nye dato- og tidsindstillinger.

 Welch Allyn Inc.  
4341 State Street Road  
Skaneateles Falls, NY 13153 USA  
Tlf. +1 800 535 6663 eller +1 315 685 4560 • Fax. +1 315 685 3361  
www.welchallyn.com

 CE-mærket angiver, at enheden overholder alle de væsentlige krav i det europæiske direktiv om medicinske anordninger 93/42/EEF.

 Regulatory Affairs-repræsentant, Welch Allyn Limited  
Navan Business Park, Dublin Road, Navan, County Meath, Republic of Ireland

© 2017 Welch Allyn, Inc. Alle rettigheder forbeholdes. Welch Allyn påtager sig intet ansvar for skader på personer eller for en eventuel ulovlig eller forkert brug af produktet, som måtte skyldes, at produktet ikke er brugt i overensstemmelse med de anvisninger, forsigtighedsforanstaltninger og advarsler, som er offentliggjort i denne vejledning. Welch Allyn er et registreret varemærke tilhørende Welch Allyn, Inc.

Revisionsdato: 2017-05  
Welch Allyn Technical Support  
www.welchallyn.com/support



Configuração

**Cuidado** A Welch Allyn não se responsabiliza pela integridade de nenhuma montagem de parede. A Welch Allyn recomenda que você entre em contato com o Departamento de Engenharia Biomédica ou com o serviço de manutenção para garantir uma instalação profissional, maior segurança e confiabilidade na montagem de acessórios.

**Observação** Alguns recursos dos produtos descritos nesta publicação podem não estar disponíveis em seu país. Para obter as últimas informações sobre produtos e recursos, ligue para o Atendimento ao cliente da Welch Allyn.

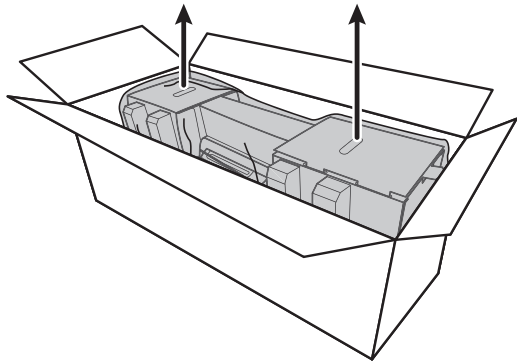
Desembalar o sistema de parede

Esse procedimento se aplica à primeira configuração do sistema de parede.

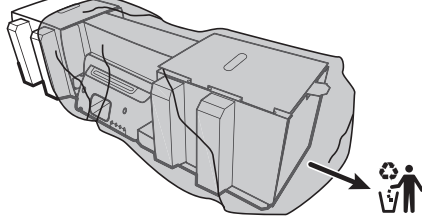
**Cuidado** Você deve seguir estas instruções precisamente para garantir a segurança e a facilidade de montagem.

**Cuidado** Não remova o material da embalagem ao redor do sistema de parede até que seja instruído a fazê-lo.

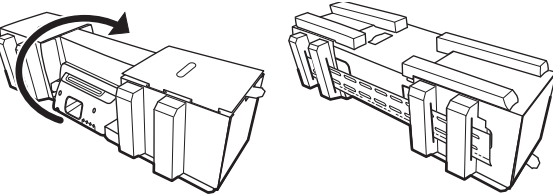
1. Erga o sistema de parede até retirá-lo da caixa pelas alças do papelão.



2. Com o sistema de parede ainda na embalagem, coloque-o em uma mesa ou superfície de trabalho plana e remova-o da embalagem plástica.



3. Vire o sistema de parede até que a parte traseira do sistema de parede esteja voltado para você.




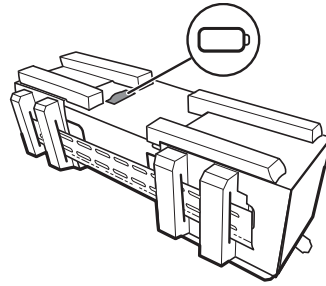
Inserir a bateria

Esse procedimento se aplica à primeira configuração do sistema de parede. Portanto, assume-se que o sistema de parede esteja desligado.

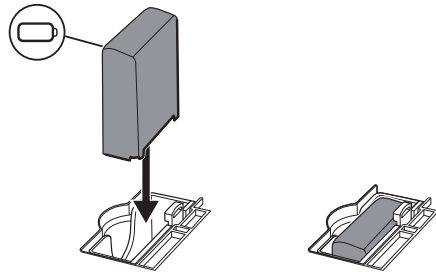
**AVISO** Risco de incêndio, explosão e queimaduras. Não provoque curto-circuito, não incinere nem desmonte a bateria.



1. Localize o compartimento da bateria, indicado por .

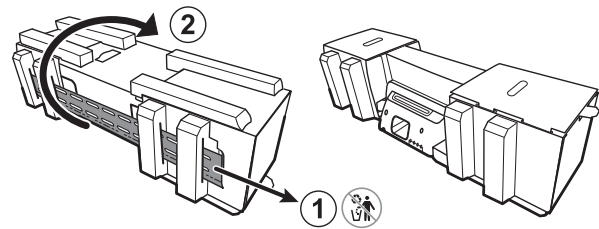


2. Insira a bateria. (A bateria está em um pacote rosa antiestático na caixa de acessórios.)

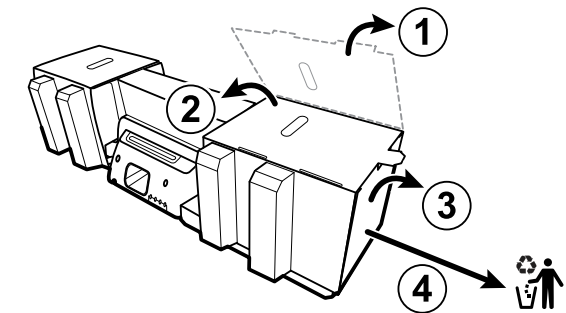


Preparar para montagem

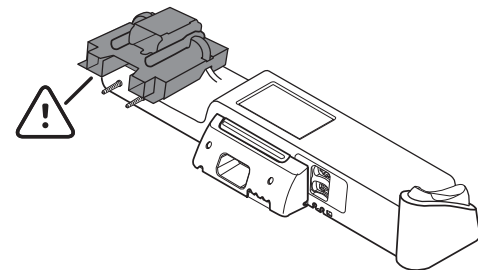
1. Deslize o suporte de trilho de montagem para fora do material da embalagem e coloque-o à parte. Não descarte. Em seguida, vire o sistema de parede com a parte traseira voltada para você.



2. Remova as capas de papelão como mostrado e separe-as para reciclagem.

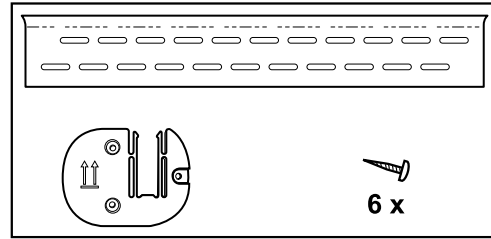


**Cuidado** Não remova o papelão segurando as alças na lateral esquerda do sistema de parede neste momento. O papelão evita danos a esses instrumentos durante o processo de montagem.



Montagem do inventário de hardware

Use estes itens para montar o sistema de parede.



- Montagem do suporte de trilho
- Suporte da caixa de acessórios
- Parafusos

Lista de ferramentas

Use estas ferramentas para montar o sistema de parede.

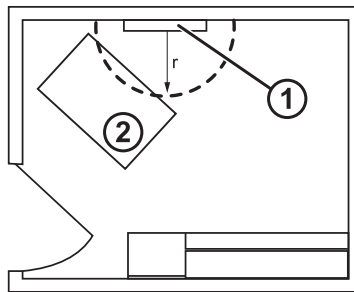
- chave de fenda Phillips nº 2
- nivelador
- fita métrica
- visor de pinos
- furadeira
- broca com diâmetro de 3,17 mm (1/8 pol.)

Local de montagem

Antes de montar o sistema de parede, considere as recomendações a seguir para determinar o melhor local de montagem:

- Monte o sistema de parede com os pinos.
- Monte o sistema de parede próximo a uma tomada CA. O cabo de alimentação tem 2,44 m (8 pés) de comprimento.
- Evite áreas com luz intensa.
- O tubo de pressão sanguínea tem 2,44 m (8 pés) de comprimento.
- Posicione o sistema de parede de modo que todos os instrumentos fiquem acessíveis e em um local que permita análises ergonômicas.

Layout de amostra da sala



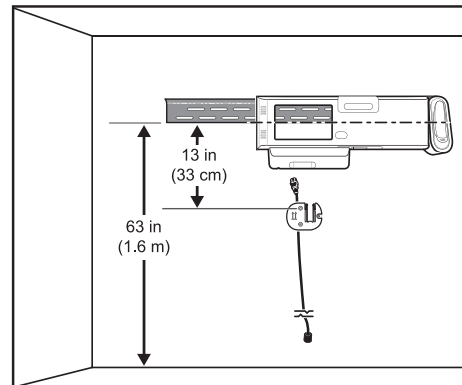
1. Connex Integrated Wall System
2. Tabela de análise

Montar o sistema de parede

1. Na parede escolhida, encontre e marque os pinos e escolha a altura do sistema e a altura correspondente para a montagem do suporte de trilho.

**Recomendação:** coloque o suporte de trilho de montagem a 1,6 m (63 pol.) do chão, o que posiciona a altura central da tela a aproximadamente 1,6 m (63 pol.) do chão.

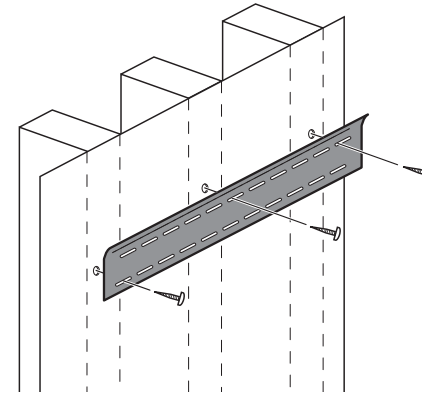
**Cuidado** Esse desenho mostra as relações físicas entre os próprios suportes de montagem e entre eles e o sistema de parede **depois** que você conclui as instruções de montagem. Não coloque o sistema de parede na parede até concluir todas as etapas preliminares.



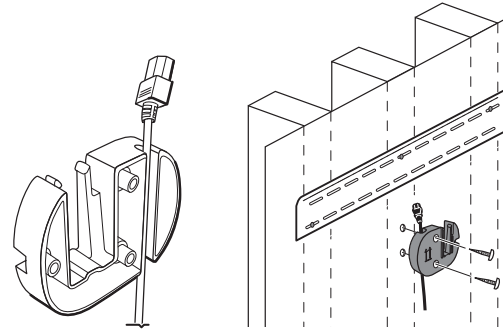
2. Fixe o suporte de trilho de montagem aos três pinos na altura selecionada usando os parafusos disponíveis (protetores estão disponíveis para suporte adicional).



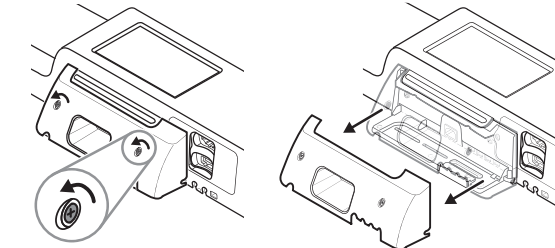
**Cuidado** Garanta que a extremidade superior do suporte esteja bem presa à parede e que o suporte esteja nivelado.



3. Posicione o cabo de alimentação por meio do canal na parte traseira do suporte da caixa de acessórios. Em seguida, monte o suporte no pino central a pelo menos 33 cm (13 pol.) abaixo do suporte de trilho de montagem.



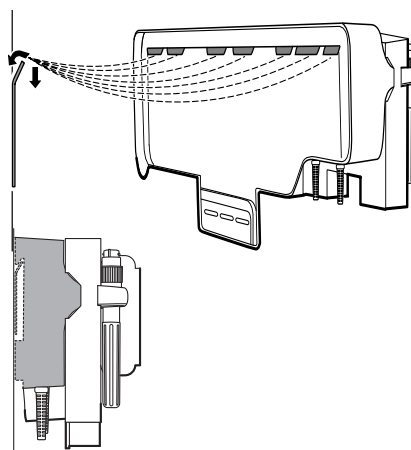
4. Antes de montar o sistema de parede, remova a tampa, soltando os parafusos de retenção que estão presos.



5. Pendure o sistema de parede no suporte de trilho de montagem.



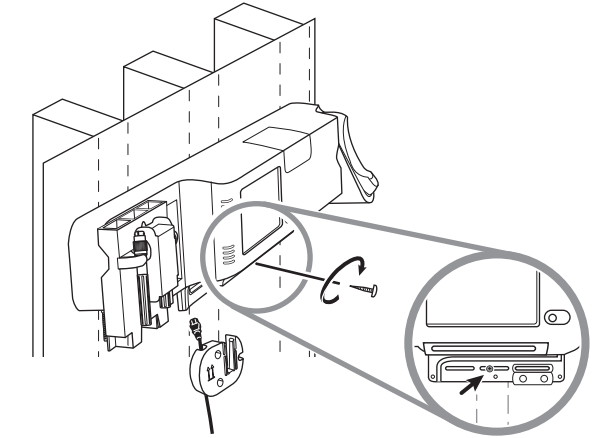
**AVISO** Certifique-se de que as abas na parte traseira do sistema de parede estejam totalmente inseridas no suporte de trilho de montagem. O sistema de parede deve estar nivelado à parede.



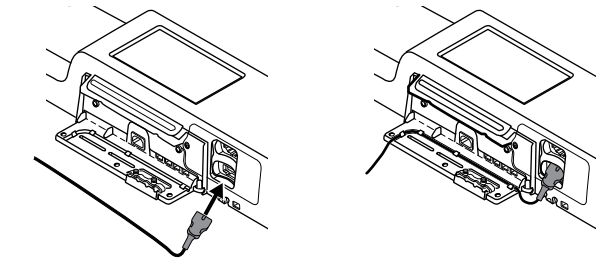
6. Selecione um dos três slots disponíveis na parte inferior da unidade que se sobrepõe ao pino e prenda a unidade ao pino com o parafuso restante.



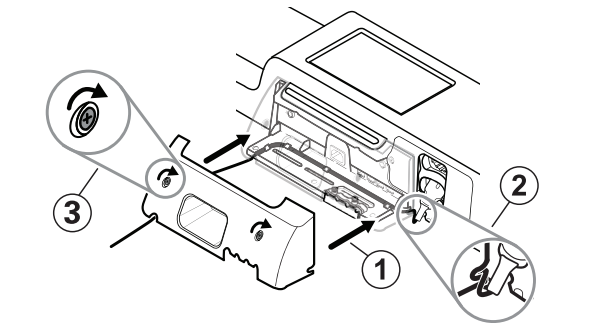
**AVISO** Se esse parafuso de segurança não for instalado corretamente, as pessoas poderão se ferir e o equipamento pode ser danificado.



7. Se a unidade de parede estiver configurada para SpO2, conecte o cabo de SpO2 e direcione-o pelo canal acima do parafuso de segurança que acabou de instalar.

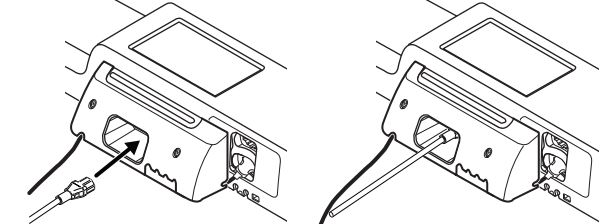


8. Recoloque a tampa. a. Insira o cabo SpO2 nos interruptores na parte superior direita e inferior esquerda da tampa.



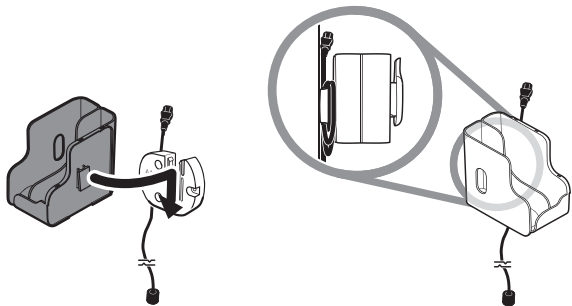
b. Aperte os dois parafusos de retenção.

9. Conecte o cabo de alimentação do sistema à unidade de parede. Não conecte o cabo à tomada neste momento.

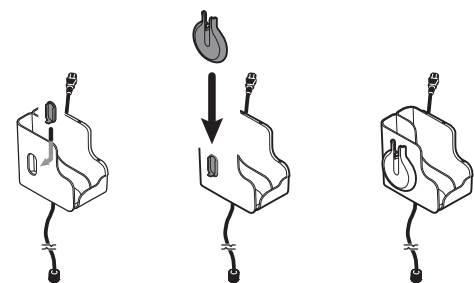


## Montar a caixa de acessórios

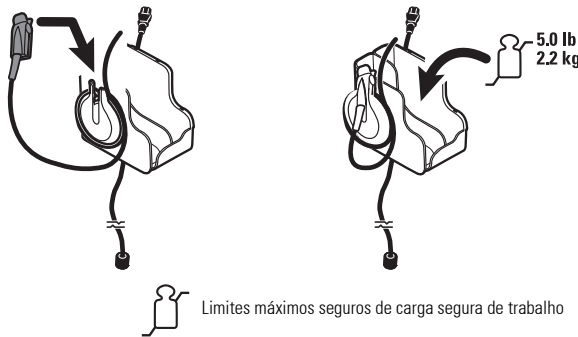
1. Monte a caixa de acessórios no suporte. Enrole e prenda o excesso de cabo de alimentação ao redor do suporte da caixa de acessórios.



2. Se o sistema de parede estiver configurado para SpO2, conecte o cilindro de SpO2 à caixa de acessórios, deslizando o cilindro no clipe de retenção.

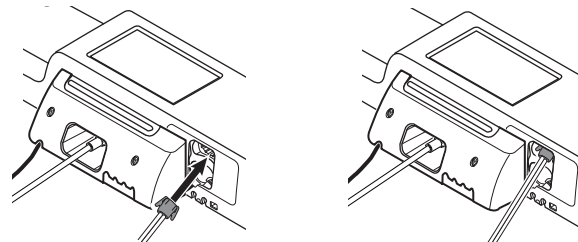


3. Oriente e insira corretamente o cabo do sensor de SpO2 no conector de cabo do paciente. (Você acabou de conectar a extremidade oposta do cabo do sensor no sistema de parede.) Certifique-se de que o cabo do sensor esteja totalmente inserido e feche a tampa protetora. (Consulte as orientações do fabricante do sensor quanto ao uso.)
4. Enrole o excesso do cabo de SpO2 do paciente ao redor do cilindro e posicione o clipe de dedo do SpO2 no suporte do SpO2.



## Conectar a mangueira de pressão sanguínea (NIBP)

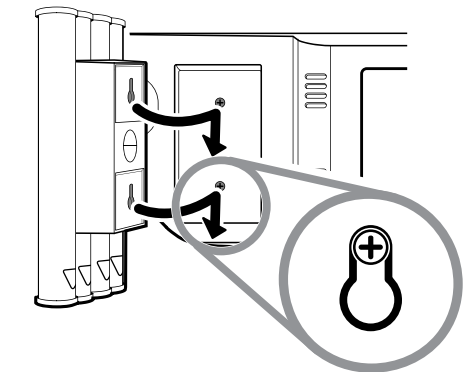
1. Alinhe o conector da mangueira à porta desse conector na parte inferior do monitor.
2. Insira o conector da mangueira, pressionando-o firmemente até que ele se encaixe no lugar.



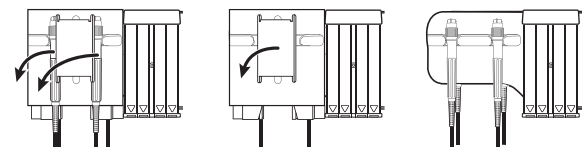
3. Conecte o aparelho de pressão sanguínea ao tubo (consulte as orientações do fabricante do aparelho quanto ao uso) e guarde-o na caixa de acessórios.

## Configurar as alavancas do instrumento de avaliação física e o dispenser do espêculo

1. Conecte o dispenser do espêculo. Certifique-se de que os slots de bloqueio dos furos na parte traseira do dispenser envolvam os parafusos de bloqueio no sistema de parede e empurre-os para baixo com firmeza.



2. Remova o papelão que protege as alavancas do instrumento.



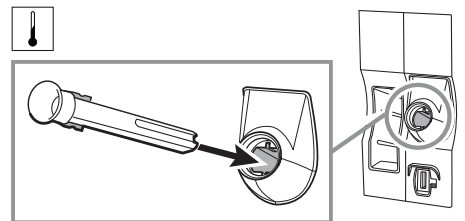
3. Conecte a cabeça dos instrumentos de 3,5 V da Welch Allyn de sua escolha nas alavancas. Consulte as orientações de uso da cabeça dos instrumentos.

## Configurar o termômetro SureTemp® Plus

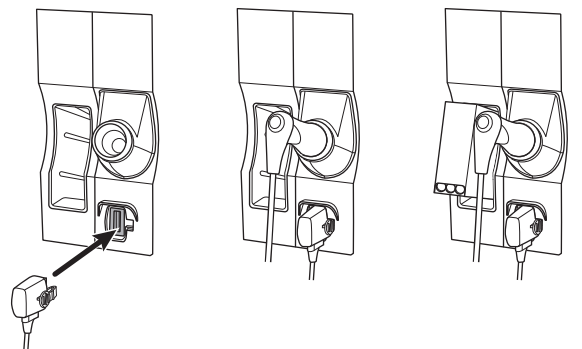
Se o sistema de parede estiver configurado para um termômetro SureTemp Plus, siga estas instruções de configuração.

1. Alinhe a cavidade da sonda às abas voltadas para cima e para baixo e insira a cavidade da sonda no módulo de temperatura.

A cavidade da sonda se encaixa no lugar quando é totalmente fixada.



2. Prenda o conector do cabo da sonda de temperatura com a aba elástica à direita e insira-a na porta da sonda do módulo de temperatura. Empurre-o no lugar até ouvir um clique.
3. Insira a sonda de temperatura na cavidade da sonda.
4. Abra uma caixa de invólucros da sonda e coloque-a no suporte de caixa de invólucros da sonda.

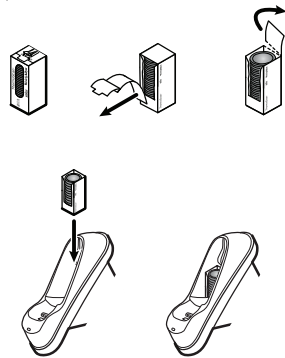


**Observação** Coloque as caixas de substituição dos invólucros da sonda no compartimento de armazenamento na parte superior do sistema de parede.

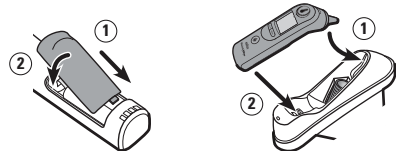
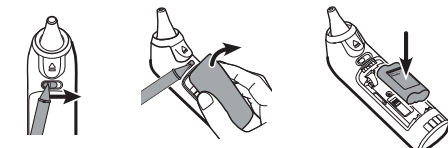
## Configurar o termômetro Braun ThermoScan® PRO

Se o sistema estiver configurado para um termômetro Braun ThermoScan, siga estas instruções de configuração.

1. Remova o termômetro da embalagem. Abra uma caixa de invólucros da sonda e coloque-a na plataforma.



2. Remova a tampa do termômetro, insira a bateria, recoloca a tampa do termômetro e coloque-o na plataforma.



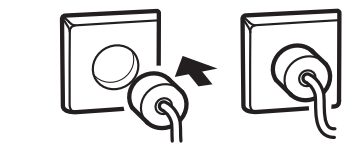
3. Carregue o termômetro Braun por 24 horas antes de utilizá-lo.
4. Para alterar a unidade de temperatura de Celsius para Fahrenheit, consulte as instruções de uso do fabricante do termômetro.

**Observação** Não é possível carregar o termômetro Braun ThermoScan PRO 6000 durante a monitorização de ECG. Assim que a monitorização de ECG for interrompida, o carregamento do termômetro será automaticamente retomado.

## Conectar a alimentação CA

O sistema de parede usa bateria e alimentação CA. Depois de concluir todas as outras atividades de configuração, você pode ligar a alimentação do sistema de parede.

1. Insira o plugue de alimentação a uma tomada para ligar o monitor e carregar a bateria.



**Observação** Baterias novas estão apenas com 30% de carga. Você deve conectar o sistema de parede à alimentação CA para carregar totalmente a bateria. Não conecte o cabo de alimentação até que conclua todas as etapas preliminares.

2. Continue para inicializar.

## Inicializar

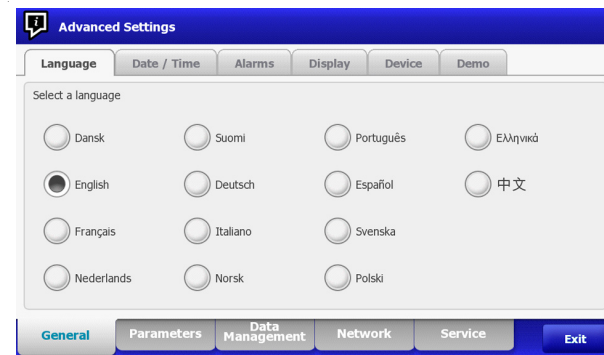
### Ligar o sistema de parede

Pressione  para ligar o sistema de parede.

### Selecionar um idioma

Quando você liga o sistema de parede pela primeira vez, a tela de seleção de idioma é exibida.

1. Selecione seu idioma.



2. Toque em **Exit** (Sair).

A guia Home (Início) é exibida.

### Definir data e hora

1. Toque na guia **Settings** (Configurações).
2. Toque na guia **Device** (Dispositivo).
3. Para alterar os valores de data e hora, toque nas teclas de seta para cima e

para baixo ou toque em  e digite um valor.

Repita esse procedimento para cada valor que deseja alterar.

**Observação** As marcas de data e hora nas medições salvas do paciente se ajustarão em resposta às novas configurações de data e hora.

### Definir a configuração padrão

1. Toque na guia **Settings** (Configurações).
2. Toque na guia **Device** (Dispositivo).
3. Insira ou ajuste as configurações que deseja adicionar ou alterar.

**Observação** As novas configurações são exibidas assim que forem concluídas, mas serão temporárias até que sejam salvas.

4. Toque em **Save as default** (Salvar como padrão).
5. Toque em **OK** para confirmar que você deseja sobrescrever as configurações anteriores e substituí-las pelas configurações atuais na configuração padrão de inicialização. Ou toque em **Cancel** (Cancelar) para manter as configurações anteriores.

As novas configurações são armazenadas nas configurações padrão de inicialização assim que você reiniciar o monitor.

**Observação** Se o sistema de parede estiver conectado a uma rede, as configurações de data e hora serão sincronizadas com as configurações de rede.

**Observação** As marcas de data e hora nas medições salvas do paciente se ajustarão em resposta às novas configurações de data e hora.

 Welch Allyn Inc.  
4341 State Street Road  
Skaneateles Falls, NY 13153 USA  
Tel. +1 800 535 6663 ou +1 315 685 4560 • Fax. +1 315 685 3361  
www.welchallyn.com

 A marca CE significa que o dispositivo atende a todas as exigências essenciais da Diretiva Europeia sobre Dispositivos Médicos 93/42/EEC.

 Representante de Assuntos Regulatórios, Welch Allyn Limited  
Navan Business Park, Dublin Road, Navan, County Meath, República da Irlanda

© 2017 Welch Allyn, Inc. Todos os direitos reservados. A Welch Allyn isenta-se de qualquer responsabilidade por prejuízos a terceiros ou por uso ilegal ou inadequado do produto que possa ocorrer por falha em seguir as instruções, precauções ou avisos publicados neste guia de inicialização. Welch Allyn é uma marca registrada da Welch Allyn, Inc.

Data da revisão: 2017-05  
Welch Allyn Technical Support  
www.welchallyn.com/support



Εγκατάσταση

**Προσοχή** Η Welch Allyn δεν είναι υπεύθυνη για την ακεραιότητα οποιασδήποτε διεπιφάνειας στερέωσης στον τοίχο. Η Welch Allyn συνιστά να επικοινωνήσετε με το Τεχνικό Γραφείο Βιοϊατρικής Μηχανικής ή το τμήμα συντήρησης και σέρβις του ιδρύματός σας, προκειμένου να διασφαλίσετε την επαγγελματική εγκατάσταση, την ασφάλεια και την αξιοπιστία οποιουδήποτε εξαρτήματος στερέωσης.

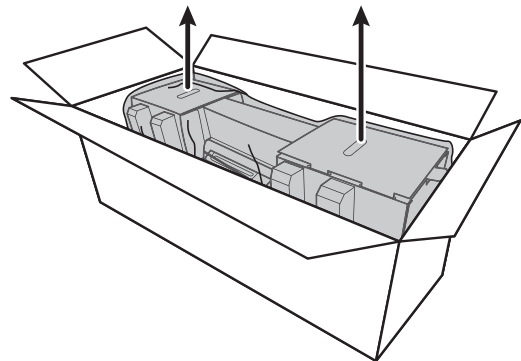
**Σημείωση** Ορισμένα χαρακτηριστικά του προϊόντος που περιγράφονται σε αυτή την έκδοση μπορεί να μην είναι διαθέσιμα στη χώρα σας. Για τις τελευταίες πληροφορίες σχετικά με τα προϊόντα και τα χαρακτηριστικά, επικοινωνήστε με το Τμήμα εξυπηρέτησης πελατών της Welch Allyn.

Αποσυσκευασία του επιτοιχίου συστήματος

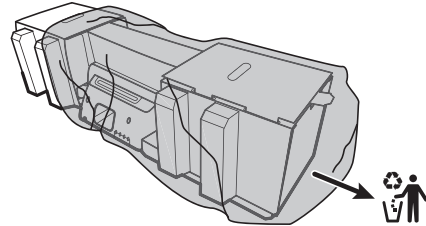
Αυτή η διαδικασία ισχύει κατά την εγκατάσταση του επιτοιχίου συστήματος για πρώτη φορά.

**Προσοχή** Πρέπει να ακολουθήσετε πιστά αυτές τις οδηγίες προκειμένου να εξασφαλίσετε ασφάλεια και ευκολία συναρμολόγησης.  
**Προσοχή** Μην απομακρύνετε οποιοδήποτε υλικό συσκευασίας γύρω από το επιτοιχίο σύστημα προτού σας ζητηθεί κάτι τέτοιο από τις οδηγίες.

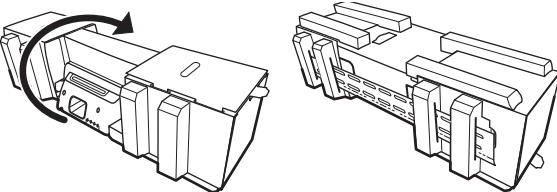
1. Ανασηκώστε το επιτοιχίο σύστημα από τις λαβές από χαρτόνι και βγάλτε το από το κουτί.



2. Διατηρώντας το επιτοιχίο σύστημα στο υλικό συσκευασίας του, τοποθετήστε το σε ένα τραπέζι ή σε μια επίπεδη επιφάνεια εργασίας και αφαιρέστε το από τον πλαστικό σάκο.



3. Στρέψτε το επιτοιχίο σύστημα έτσι ώστε το πίσω μέρος του επιτοιχίου συστήματος να είναι στραμμένο προς τα πάνω.




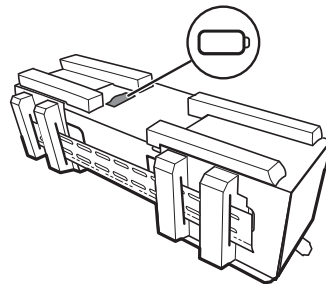
Εισαγωγή της μπαταρίας

Αυτή η διαδικασία ισχύει κατά την εγκατάσταση του επιτοιχίου συστήματος για πρώτη φορά. Κατά συνέπεια, θεωρείται ότι το επιτοιχίο σύστημα είναι απενεργοποιημένο.

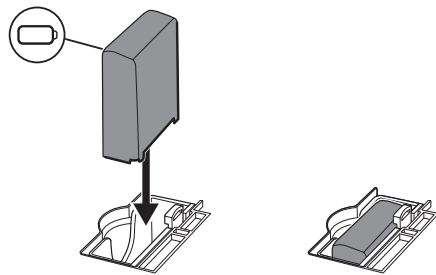
**Κίνδυνος** Κίνδυνος φωτιάς, έκρηξης και εγκαυμάτων. Μην βραχυκυκλώνετε, χτυπάτε, αποτεφρώνετε ή αποσυναρμολογείτε την μπαταρία.



1. Εντοπίστε το διαμέρισμα της μπαταρίας, το οποίο υποδεικνύεται από την ένδειξη .

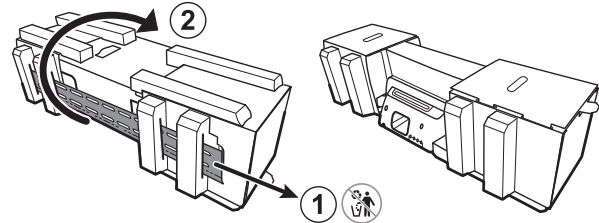


2. Εισαγάγετε την μπαταρία. (Η μπαταρία περιέχεται σε έναν ροζ αντιστατικό σάκο στο κουτί εξαρτημάτων).

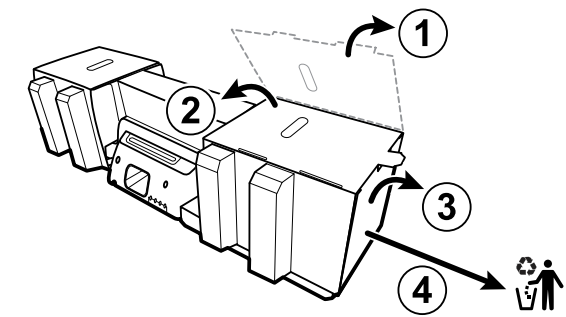


Προετοιμασία για στερέωση

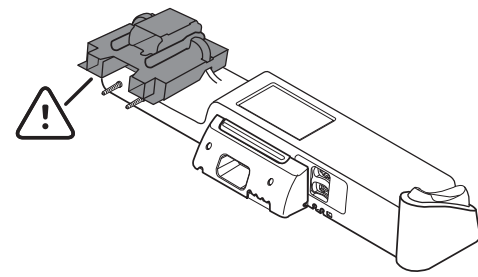
1. Συρtez την υποστηρικτική ράβδο στερέωσης έξω από το υλικό συσκευασίας και αφήστε το στο πλάι. Μην το απορρίψτε. Στη συνέχεια, αναστρέψτε το επιτοιχίο σύστημα ώστε η πίσω πλευρά του να είναι στραμμένη προς τα κάτω.



2. Αφαιρέστε τα πώματα άκρου από χαρτόνι, όπως παρουσιάζεται, και φυλάξτε τα για ανακύκλωση.

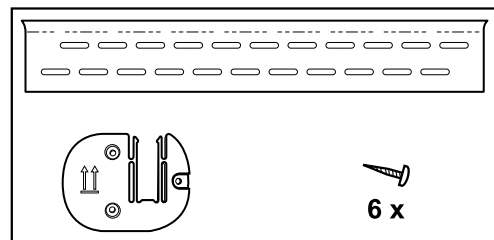


**Προσοχή** Μην αφαιρέτε το χαρτόνι που προφυλάσσει τις λαβές στην αριστερή πλευρά του επιτοιχίου συστήματος σε αυτή τη φάση. Το χαρτόνι αποτρέπει την πρόκληση ζημιάς σε εκείνα τα όργανα κατά τη διάρκεια της διαδικασίας στερέωσης.



Κατάλογος εξοπλισμού στερέωσης

Χρησιμοποιήστε τα παρακάτω είδη για να στερεώσετε το επιτοιχίο σύστημα.



- Υποστηρικτική ράβδος στερέωσης
- Υποστήριγμα κουτιού αποθήκευσης εξαρτημάτων
- Βίδες

Λίστα εργαλείων

Χρησιμοποιήστε τα παρακάτω εργαλεία για να στερεώσετε το επιτοιχίο σύστημα.

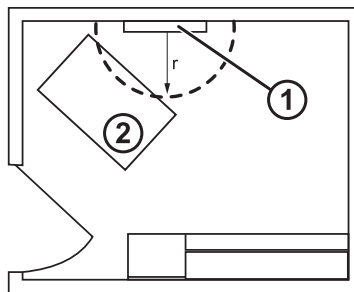
- Κατσαβίδι Phillips αρ. 2
- αλφάδι
- μετροταινία
- ανιχνευτής ορθοστάτη
- τρυπάνι
- μύτη τρυπανιού διαμέτρου 3,17 mm (1/8 ιντσών)

Θέση στερέωσης

Πριν από τη στερέωση του επιτοιχίου συστήματος, λάβετε υπόψη τις παρακάτω συστάσεις για να προσδιορίσετε την καλύτερη θέση στερέωσης:

- Στερεώστε το επιτοιχίο σύστημα στους ορθοστάτες.
- Στερεώστε το επιτοιχίο σύστημα σε σημείο στο οποίο το καλώδιό του μπορεί να φθάσει στην πρίζα εναλλασσόμενου ρεύματος. Το καλώδιο έχει μήκος 8 ft. (2,44 m).
- Αποφύγετε τις περιοχές με έντονο φωτισμό.
- Η σωλήνωση μέτρησης της αρτηριακής πίεσης έχει μήκος 8 ft. (2,44 m).
- Τοποθετήστε το επιτοιχίο σύστημα έτσι ώστε όλα τα όργανα να είναι προσβάσιμα σε μια περιοχz στην οποία Επιτρέπονται εργονομικές εξετάσεις.

Σχεδιάγραμμα χώρου δειγματοληψίας



1. Connex Integrated Wall System
2. Τράπεζα εξέτασης

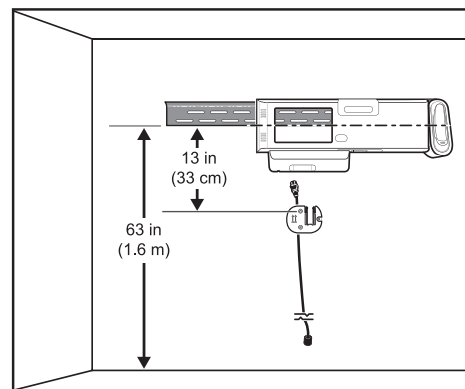
Στερέωση του επιτοιχίου συστήματος

1. Στον επιλεγμένο τοίχο, βρείτε και σημαδέψτε τους ορθοστάτες και επιλέξτε το ύψος του συστήματος, καθώς και το αντίστοιχο ύψος για την υποστηρικτική ράβδο στερέωσης.

**Σύσταση:** Τοποθετήστε την υποστηρικτική ράβδο στερέωσης σε απόσταση 1,6 m (63 ίντσες) από το δάπεδο, ώστε το κέντρο της οθόνης να απέχει περίπου 1,6 m (63 ίντσες) από το δάπεδο.



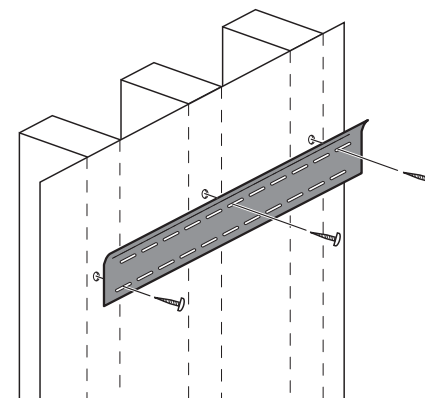
**Προσοχή** Σε αυτό το σχέδιο εμφανίζεται η φυσική σχέση των υποστηριγμάτων μεταξύ τους και με το επιτοιχίο σύστημα **αφz** ακολουθήσετε πλήρως τις οδηγίες στερέωσης. Μην τοποθετήσετε το επιτοιχίο σύστημα στον τοίχο εάν δεν έχετε ολοκληρώσει όλα τα προκαταρκτικά βήματα.



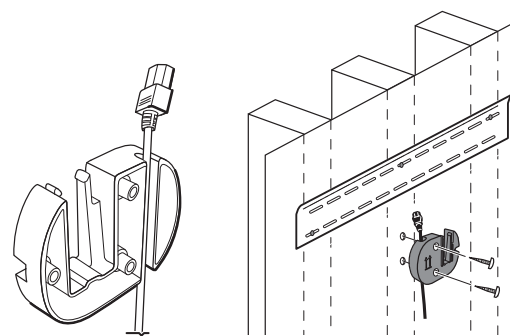
2. Προσαρτήστε την υποστηρικτική ράβδο στερέωσης στους τρεις ορθοστάτες, στο επιλεγμένο ύψος, χρησιμοποιώντας τις διαθέσιμες βίδες (παρέχονται άγκιστρα για πρόσθετη στήριξη).



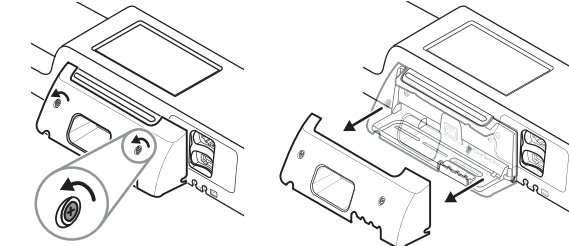
**Προσοχή** Βεβαιωθείτε ότι το επάνω "χείλος" της ράβδου είναι στραμμένο προς τα έξω, αντίθετα από τον τοίχο και ότι η ράβδος είναι ευθυγραμμισμένη.



3. Περάστε το καλώδιο τροφοδοσίας μέσα από το κανάλι, στο πίσω μέρος του υποστηρίγματος θήκης εξαρτημάτων, στη συνέχεια, στερεώστε το υποστήριγμα στον κεντρικό ορθοστάτη τουλάχιστον 33 εκατοστά (13 ίντσες) κάτω από την υποστηρικτική ράβδο στερέωσης.



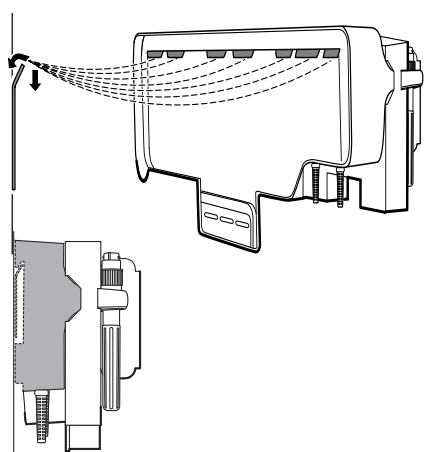
4. Προτού στερεώσετε το επιτοιχίο σύστημα, αφαιρέστε το κάλυμμα ξεσφίγγοντας τις ασφαλιστικές βίδες.



5. Αναρτήστε το επιτοιχίο σύστημα στην υποστηρικτική ράβδο στερέωσης.



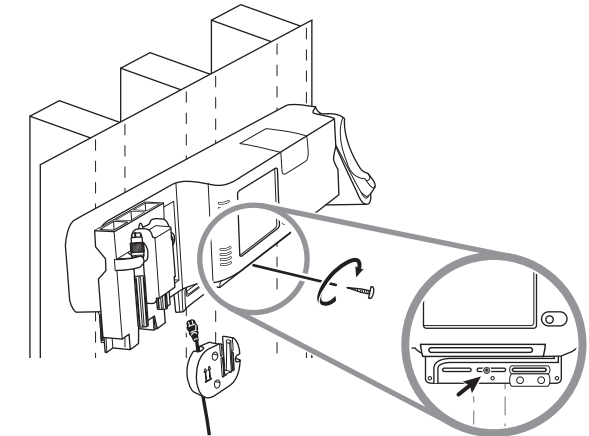
**Κίνδυνος** Βεβαιωθείτε ότι οι πτυχώσεις που υπάρχουν στο πίσω μέρος του επιτοιχίου συστήματος εμπλέκονται πλήρως στην υποστηρικτική ράβδο στερέωσης. Το επιτοιχίο σύστημα θα πρέπει να είναι ευθυγραμμισμένο και να εφzπτεται στον τοίχο.



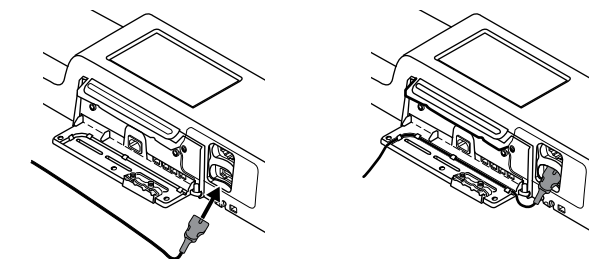
6. Από τις τρεις διαθέσιμες υποδοχές που υπάρχουν στο κάτω μέρος της μονάδας, επιλέξτε μία που να επικαλύπτει έναν ορθοστάτη και ασφαλίστε τη μονάδα στον ορθοστάτη με τη βίδα που απομένει.



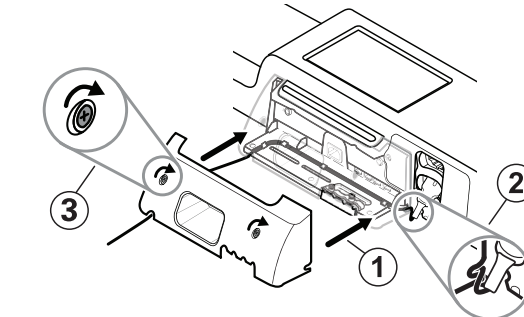
**Κίνδυνος** Εάν δεν τοποθετήσετε αυτήν τη βίδα ασφαλείας, ενδέχεται να προκληθεί τραυματισμός και ζημιά στον εξοπλισμό.



7. Εάν η επιτοιχία μονάδα έχει διαμορφωθεί για SpO2, συνδέστε το καλώδιο SpO2 και περάστε το μέσα από το κανάλι, επάνω από τη βίδα ασφαλείας που μόλις τοποθετήσατε.

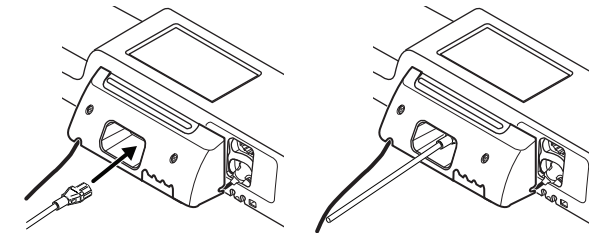


8. Επανασυνδέστε το κάλυμμα.
  - α. Περάστε το καλώδιο SpO2 μέσα από τις εγκοπές, στο επάνω δεξί και κάτω αριστερό τμήμα του καλύμματος.



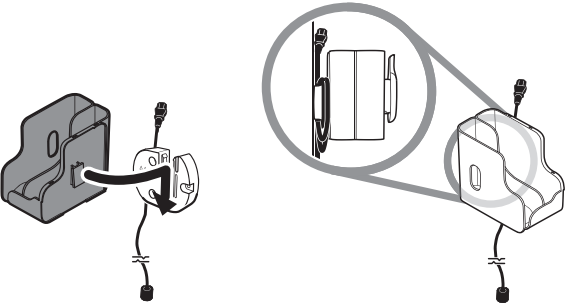
β. Σφίξτε τις δύο ασφαλιστικές βίδες.

9. Προσαρτήστε το καλώδιο τροφοδοσίας του συστήματος στην επιτοιχία μονάδα. Μην συνδέσετε το καλώδιο στην πρίζα προς το παρόν.

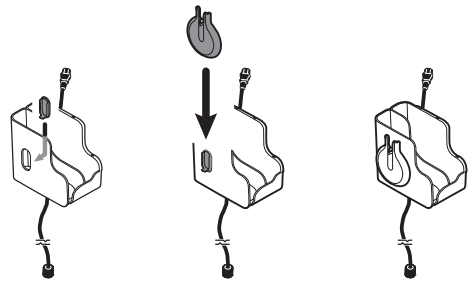


## Στερέωση της θήκης εξαρτημάτων

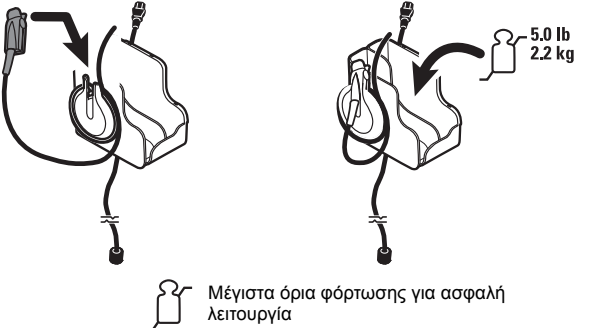
1. Στερεώστε τη θήκη εξαρτημάτων στο υποστήριγμα της θήκης εξαρτημάτων και, στη συνέχεια, τυλίξτε χαλαρά το καλώδιο τροφοδοσίας που περισεύει γύρω από το υποστήριγμα της θήκης εξαρτημάτων.



2. Εάν το επιτοίχιο σύστημα έχει διαμορφωθεί για SpO2, προσαρτήστε το καρούλι SpO2 στη θήκη εξαρτημάτων, σύροντας το καρούλι στο κλιπ συγκράτησης.

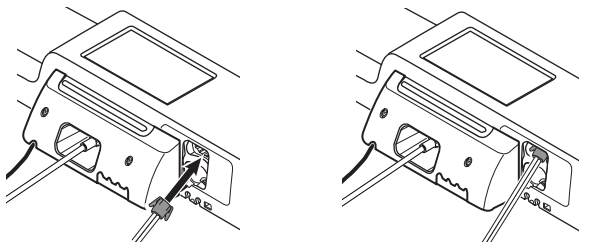


3. Προσανατολίστε σωστά και εισαγάγετε το καλώδιο του αισθητήρα SpO2 στο βύσμα του καλωδίου ασθενούς. (Μόλις συνδέσατε το αντίθετο άκρο του καλωδίου του αισθητήρα στο επιτοίχιο σύστημα). Βεβαιωθείτε ότι το καλώδιο αισθητήρα έχει εισαχθεί πλήρως και, στη συνέχεια, κλείστε το προστατευτικό κάλυμμα. (Ανατρέξτε στις οδηγίες χρήσης του αισθητήρα που παρέχει ο κατασκευαστής).
4. Τυλίξτε το καλώδιο ασθενούς SpO2 που περισεύει γύρω από το καρούλι και τοποθετήστε το κλιπ SpO2 στη βάση SpO2.



## Σύνδεση του εύκαμπτου σωλήνα αρτηριακής πίεσης (ΜΕΑΠ)

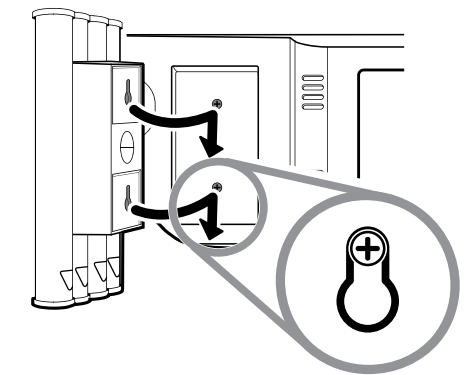
1. Ευθυγραμμίστε το σύνδεσμο του εύκαμπτου σωλήνα με τη θύρα συνδέσμου του εύκαμπτου σωλήνα στο κάτω μέρος του μόνιτορ.
2. Εισαγάγετε το σύνδεσμο του εύκαμπτου σωλήνα, πιέζοντας σταθερά μέχρι να ασφαλίσει στη θέση του.



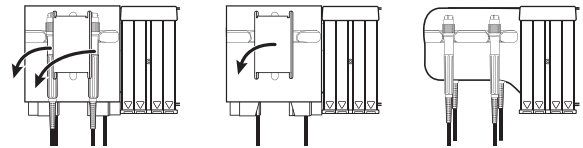
3. Προσαρτήστε στη σωλήνωση μια περιχειρίδα αρτηριακής πίεσης (ανατρέξτε στις οδηγίες χρήσης της περιχειρίδας που παρέχει ο κατασκευαστής) και, στη συνέχεια, αποθηκεύστε την περιχειρίδα στη θήκη εξαρτημάτων.

## Ρύθμιση των λαβών του οργάνου σωματικής αξιολόγησης και της συσκευής χορήγησης διαστολέα

1. Προσαρτήστε τη συσκευή χορήγησης διαστολέα. Βεβαιωθείτε ότι οι υποδοχές ασφάλισης σχήματος κλειδαρότρυπας, που υπάρχουν στο πίσω μέρος της συσκευής χορήγησης, εμπλέκουν τις βίδες ασφάλισης στο επιτοίχιο σύστημα και, στη συνέχεια, πιέστε σταθερά προς τα κάτω.



2. Αφαιρέστε το χαρτόνι που ασφαλίζει τις λαβές του οργάνου.



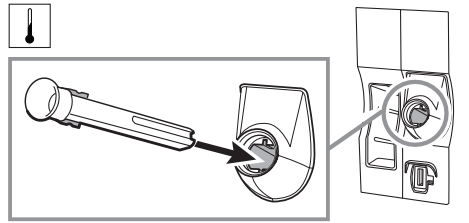
3. Προσαρτήστε στις λαβές τις επιθυμητές κεφαλές του οργάνου Welch Allyn 3.5V. Ανατρέξτε στις οδηγίες χρήσης για κάθε κεφαλή οργάνου.

## Ρύθμιση του θερμομέτρου SureTemp® Plus

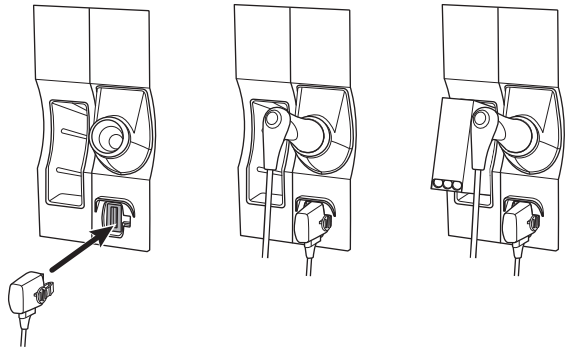
Εάν το επιτοίχιο σύστημα έχει διαμορφωθεί για θερμομότρο τύπου SureTemp Plus, ακολουθήστε αυτές τις οδηγίες ρύθμισης.

1. Ευθυγραμμίστε την υποδοχή του ακροδέκτη με τις προεξοχές στραμμένες προς τα επάνω και προς τα κάτω και τοποθετήστε την υποδοχή του ακροδέκτη στη μονάδα θερμοκρασίας.

Η υποδοχή του ακροδέκτη ασφαλίζει στη θέση της, όταν εδράσει πλήρως.



2. Κρατήστε το σύνδεσμο καλωδίου του ακροδέκτη θερμοκρασίας με την ελατηριωτή προεξοχή στα δεξιά και τοποθετήστε την μέσα στη θύρα ακροδέκτη της μονάδας θερμοκρασίας. Ωθήστε την μέχρι να ασφαλίσει στη θέση της.
3. Τοποθετήστε τον ακροδέκτη θερμοκρασίας στην υποδοχή του ακροδέκτη.
4. Ανοίξτε ένα κουτί καλυμμάτων ακροδέκτη και τοποθετήστε το στη βάση του κουτιού καλυμμάτων ακροδέκτη.

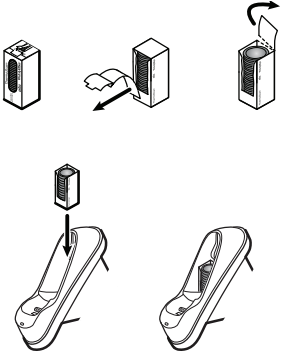


- Σημείωση** Τοποθετήστε εφεδρικά κουτιά καλυμμάτων ακροδέκτη στο διαμέρισμα φύλαξης, στο επάνω μέρος του επιτοίχιου συστήματος.

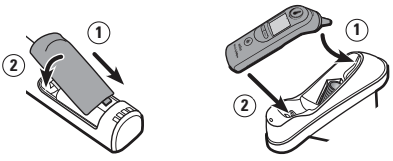
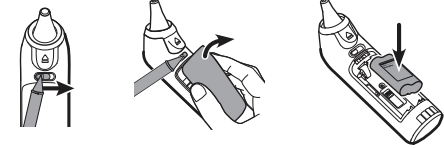
## Ρύθμιση του θερμομέτρου Braun ThermoScan® PRO

Εάν το σύστημα έχει διαμορφωθεί για θερμομότρο τύπου Braun ThermoScan, ακολουθήστε αυτές τις οδηγίες ρύθμισης.

1. Αφαιρέστε το θερμομότρο από τη συσκευασία. Στη συνέχεια, ανοίξτε ένα κουτί καλυμμάτων ακροδέκτη και τοποθετήστε το στη βάση.



2. Αφαιρέστε το κάλυμμα του θερμομέτρου, τοποθετήστε την μπαταρία, επανατοποθετήστε το κάλυμμα του θερμομέτρου και, στη συνέχεια, τοποθετήστε το θερμομότρο στη βάση.

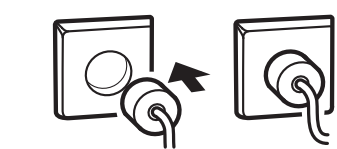


3. Φορτίστε το θερμομότρο Braun επί 24 ώρες πριν από τη χρήση.
4. Για μετατροπή από βαθμούς Κελσίου σε Φαρενάιτ, ανατρέξτε στις οδηγίες χρήσης του κατασκευαστή του θερμομέτρου.

**Σημείωση** Το θερμομότρο ThermoScan PRO 6000 της Braun δεν φορτίζει κατά την παρακολούθηση ΗΚΓ. Μόλις σταματήσει η παρακολούθηση ΗΚΓ, το θερμομότρο συνεχίζει αυτομάτως τη φόρτιση.

Το επιτοίχιο σύστημα χρησιμοποιείται τόσο με μπαταρία όσο και με ρεύμα AC. Αφού ολοκληρώσετε όλες τις υπόλοιπες ενέργειες ρύθμισης, μπορείτε να δώσετε ρεύμα στο επιτοίχιο σύστημα.

1. Τοποθετήστε το βύσμα σε μια πρίζα για να τροφοδοτήσετε το μόνιτορ και να φορτίσετε την μπαταρία.



**Σημείωση** Οι καινούργιες μπαταρίες είναι φορτισμένες μόνο κατά 30%. Για την πλήρη φόρτιση της μπαταρίας, πρέπει να συνδέσετε το επιτοίχιο σύστημα στο ρεύμα (AC). Μην συνδέσετε το καλώδιο τροφοδοσίας εάν δεν ολοκληρώσετε όλα τα προκαταρκτικά βήματα.

2. Προχωρήστε στην έναρξη λειτουργίας.

## Έναρξη λειτουργίας

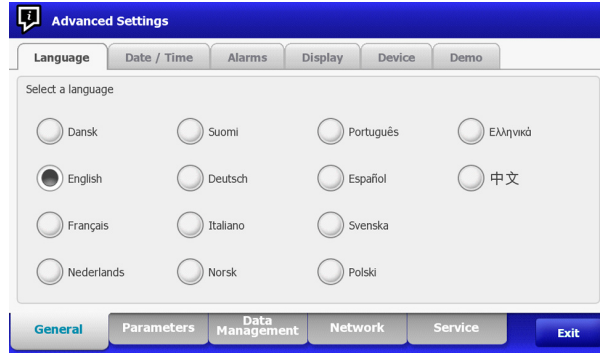
Ενεργοποιήστε το επιτοίχιο σύστημα

Πατήστε  για να ενεργοποιηθεί το επιτοίχιο σύστημα.

**Επιλογή γλώσσας**

Όταν ενεργοποιήσετε το επιτοίχιο σύστημα για πρώτη φορά, θα εμφανιστεί η οθόνη επιλογής γλώσσας.

1. Επιλέξτε τη γλώσσα σας.



2. Αγγίξτε **Έξοδος**.

Εμφανίζεται η καρτέλα Αρχ.

**Ρύθμιση ημερομηνίας και ώρας**

1. Αγγίξτε την καρτέλα **Ρυθμίσεις**.
2. Αγγίξτε την καρτέλα **Συσκευή**.
3. Προκειμένου να αλλάξετε τις τιμές ημερομηνίας και ώρας, αγγίξτε τα πλήκτρα

βέλους επάνω και κάτω ή αγγίξτε  και εισαγάγετε μια τιμή.

Επαναλάβετε για κάθε τιμή που θέλετε να αλλάξετε.

**Σημείωση**

Οι ενδείξεις ημερομηνίας και ώρας που εμφανίζονται στις αποθηκευμένες μετρήσεις του ασθενούς θα προσαρμοστούν σύμφωνα με ρυθμίσεις της νέας ημερομηνίας και ώρας.

**Ρύθμιση της προεπιλεγμένης διαμόρφωσης**

1. Αγγίξτε την καρτέλα **Ρυθμίσεις**.
2. Αγγίξτε την καρτέλα **Συσκευή**.
3. Εισαγάγετε ή προσαρμόστε τις ρυθμίσεις που θέλετε να προσθέσετε ή να αλλάξετε.

**Σημείωση**

Οι νέες ρυθμίσεις εμφανίζονται εφάσον έχουν ολοκληρωθεί, αλλά είναι προσωρινές μέχρι να αποθηκευτούν.

4. Πατήστε **Αποθ ως προεπ**.
5. Πατήστε **OK** για να επιβεβαιώσετε ότι θέλετε να αντικαταστήσετε τις προηγούμενες ρυθμίσεις αντικαταστήστε τις με τις τρέχουσες ρυθμίσεις που έχετε καθορίσει στην προεπιλεγμένη διαμόρφωση έναρξης. Εναλλακτικά, αγγίξτε **Άκυρο** για ανάκτηση των προηγούμενων ρυθμίσεων.


Αφού κάνετε επανεκκίνηση του μόνιτορ, οι νέες ρυθμίσεις αποθηκεύονται ως προεπιλεγμένες ρυθμίσεις έναρξης.


**Σημείωση**


Εάν το επιτοίχιο σύστημα είναι συνδεδεμένο σε κάποιο δίκτυο, οι ρυθμίσεις ημερομηνίας και ώρας συγχρονίζονται με τις ρυθμίσεις δικτύου.

**Σημείωση**

Οι ενδείξεις ημερομηνίας και ώρας που εμφανίζονται στις αποθηκευμένες μετρήσεις του ασθενούς θα προσαρμοστούν σύμφωνα με ρυθμίσεις της νέας ημερομηνίας και ώρας.

 Welch Allyn Inc.  
4341 State Street Road  
Skaneateles Falls, NY 13153 USA  
Τηλ. +1 800 535 6663 ή +1 315 685 4560 • Φαξ +1 315 685 3361  
www.welchallyn.com

 Η σήμανση CE πιστοποιεί ότι η συσκευή πληροί τις κύριες απαιτήσεις της Ευρωπαϊκής Οδηγίας 93/42/EOK περί ιατροτεχνολογικών προϊόντων.

 Αντιπρόσωπος ρυθμιστικών υποθέσεων, Welch Allyn Limited  
Navan Business Park, Dublin Road, Navan, County Meath, Δημοκρατία της Ιρλανδίας

© 2017 Welch Allyn, Inc. Με επιφύλαξη παντός δικαιώματος. Η Welch Allyn δεν αναλαμβάνει καμία ευθύνη για τον τραυματισμό οποιουδήποτε ατόμου ή για οποιαδήποτε παράνομη ή εσφαλμένη χρήση του προϊόντος, η οποία μπορεί να προκύψει από την αδυναμία χρήσης του εν λόγω προϊόντος σύμφωνα με τις οδηγίες, τις προφυλάξεις ή τις προειδοποιήσεις που δημοσιεύονται σε αυτό τον οδηγό εκκίνησης. Το Welch Allyn, PCH100 είναι σίμα κατατεθέν της Welch Allyn, Inc.

Ημ/νία αναθεώρησης: 2017-05  
Welch Allyn Technical Support  
www.welchallyn.com/support



**Welch Allyn Connex® Integrated Wall System**  
**Oppstartsveiledning**

**NORSK**

**Oppsetting**

**Forsiktig** Welch Allyn er ikke ansvarlig for montering på vegg. Welch Allyn anbefaler at du tar kontakt med medisinsk-teknisk avdeling eller vedlikeholdstjenesten i institusjonen for å sørge for profesjonell montering, sikkerhet og pålitelige festeordninger.

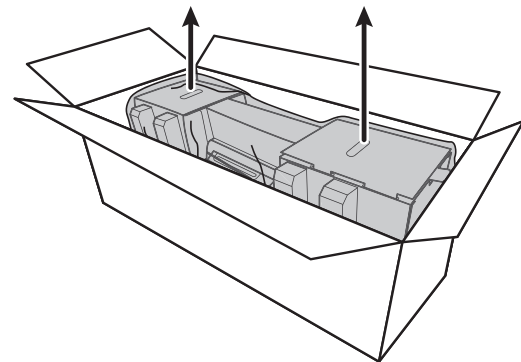
**Merknad** Det kan hende enkelte produktfunksjoner som beskrives i denne publikasjonen, ikke er tilgjengelige i ditt land. Ta kontakt med kundeservice hos Welch Allyn for å få den nyeste informasjon om produkter og funksjoner.

**Pakk ut veggssystemet.**

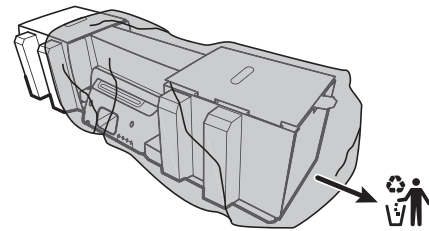
Denne prosedyren gjelder oppsetting av veggssystemet første gang.

**Forsiktig** Du må følge disse instruksjonene nøyaktig for å sørge for sikkerhet og enkel montering.  
**Forsiktig** Ikke fjern emballasjemateriale fra veggssystemet før instruksjonene sier du skal gjøre det.

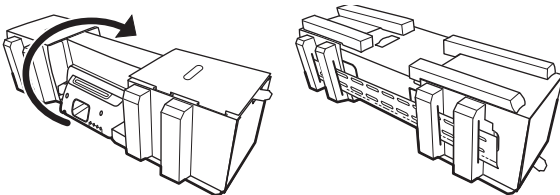
1. Løft veggssystemet ut av esken etter håndtakene i pappen.



2. Mens veggssystemet fortsatt er i emballasjen, plasserer du det på et bord eller på et flatt arbeidsområde og tar det ut av plastposen.



3. Snu veggssystemet rundt, slik at baksiden av systemet vender opp.




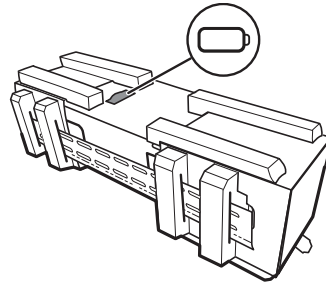
**Sett inn batteriet**

Denne prosedyren gjelder oppsetting av veggssystemet første gang. Derfor forutsettes det at veggssystemet er slått av.

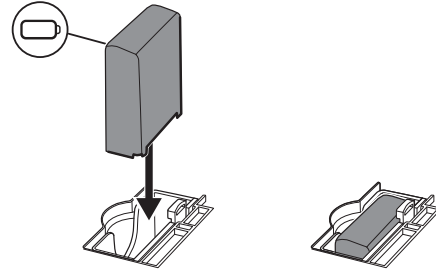
**ADVARSEL** Fare for brann, eksplosjon og forbrenninger. Prøv aldri å kortslutte, knuse, brenne eller demontere batteripakken.



1. Finn batterirommet, merket med .

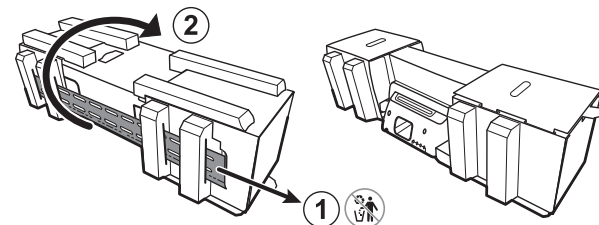


2. Sett inn batteriet. (Batteriet er en lyserød antistatisk pose i tilbehørsesken.)

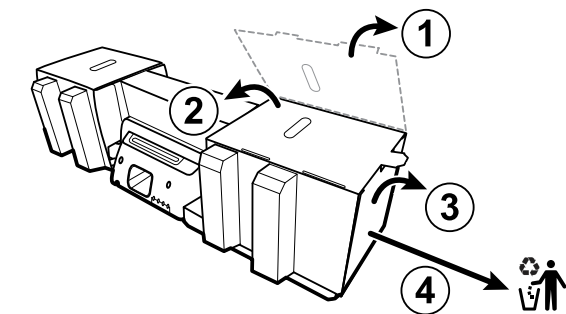


**Klargjør for oppsetting**

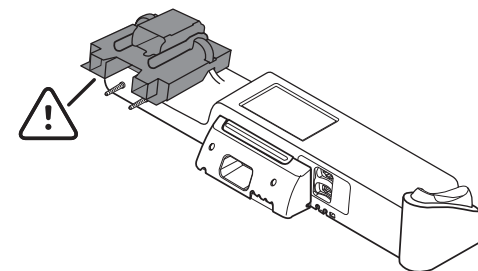
1. Skyv monteringsskinnebraketten ut av emballasjen, og legg den til side. Skal ikke kastes. Snu deretter veggssystemet så det ligger på baksiden.



2. Fjern pappendestykkene som vist, og legg dette til side for resirkulering.

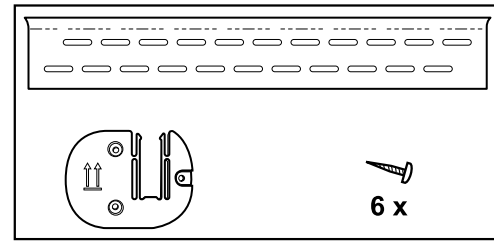


**Forsiktig** Ikke fjern pappen som beskytter håndtakene på venstre side av veggssystemet, nå. Pappen hindrer skade på disse instrumentene under oppsettingsprosessen.



**Oversikt over festeutstyr**

Bruk dette utstyret til å feste veggssystemet.



- Monteringsskinnebrakett
- Brakett for tilbehørsholder
- Skruer

**Verktøyliste**

Bruk disse verktøyene til å feste veggssystemet.

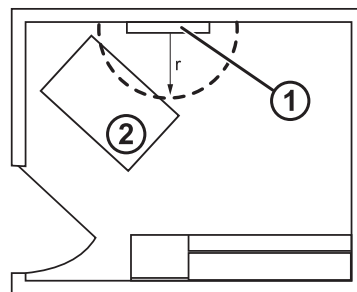
- stjerneskrutrekker nr. 2
- vater
- målebånd
- stendersøker
- drill
- bor med diameter 3,17 mm (1/8 tommet)

**Monteringssted**

Før du monterer veggssystemet, må du ta hensyn til følgende anbefalinger for å bestemme det beste monteringsstedet:

- Fest veggssystemet til stendere.
- Fest veggssystemet innenfor rekkevidde av en stikkontakt. Strømledningen er 2,44 m lang (8 fot).
- Unngå områder med sterkt lys.
- Blodtrykkslangen er 2,44 m lang (8 fot).
- Plasser veggssystemet slik at alle instrumenter kan nås, og på et sted som muliggjør ergonomiske undersøkelser.

**Eksempel på romutforming**



1. Connex Integrated Wall System
2. Undersøkelsesseng

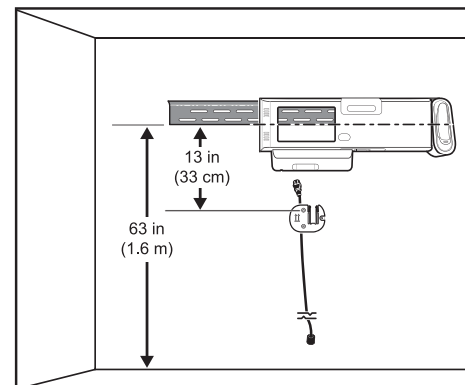
**Feste veggssystemet**

1. På den valgte vegg lokaliserer du og markerer stenderne og velger systemets høyde og den tilsvarende høyden for monteringsskinnebraketten.

**Anbefaling:** Plasser monteringsskinnebraketten 1,6 m (63 tommet) fra gulvet. Dermed plasseres sentrum av skjermen ca. 1,6 m (63 tommet) over gulvet.



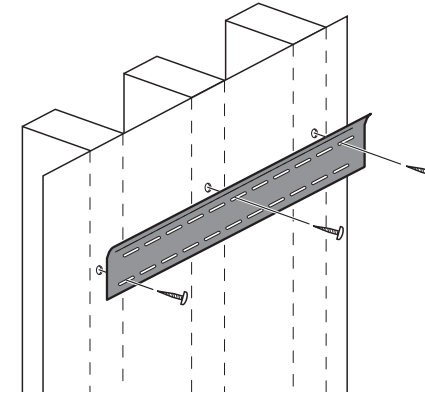
**Forsiktig** Denne tegningen viser den fysiske plasseringen av monteringsbrakettene i forhold til hverandre og veggssystemet **etter** at du har fulgt monteringsinstruksjonene. Ikke plasser veggssystemet på vegg før du har gjennomført alle de forberedende trinnene.



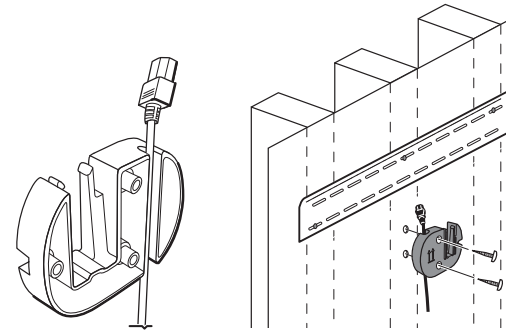
2. Fest monteringsskinnebraketten til tre stendere i valgt høyde med skruene som følger med (det følger med fester for ekstra støtte).



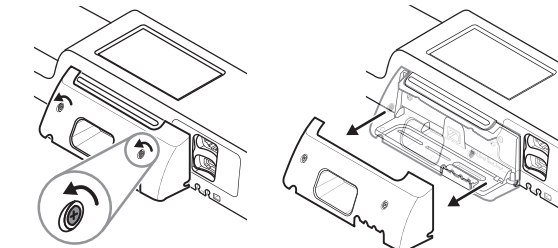
**Forsiktig** Påse at den øvre "leppen" stikker ut fra vegg, og at braketten er i vater.



3. Trekk strømledningen gjennom kanalen bak på tilbehørsholderbraketten, og fest deretter braketten på den midtre stenderen minst 33 cm (13 tommet) under monteringsskinnebraketten.



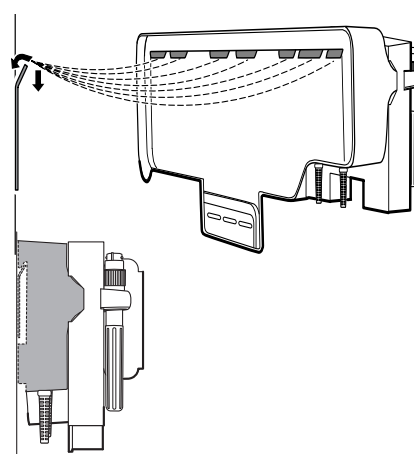
4. Før du fester veggssystemet, tar du av dekslet ved å løsne festeskruene, som blir sittende i dekslet.



5. Heng veggssystemet på monteringsskinnebraketten.



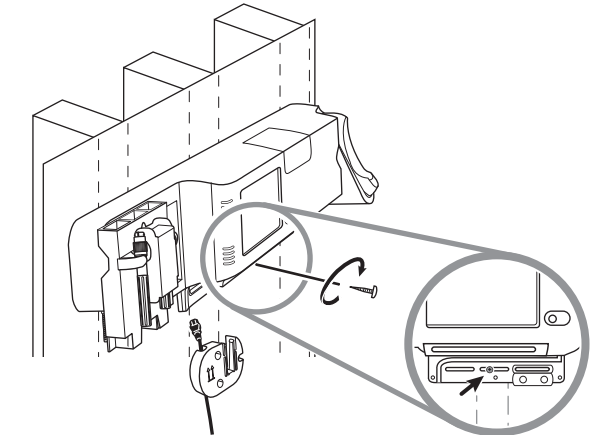
**ADVARSEL** Påse at listene bak på veggssystemet sitter riktig i monteringsskinnebraketten. Veggssystemet skal være i vater og sitte tett inntil vegg.



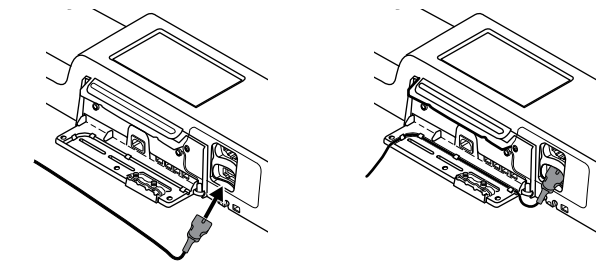
6. Velg et av de tre tilgjengelige sporene i bunnen av enheten, et som overlapper med en stender, og fest enheten til stenderen med skruen som er igjen.



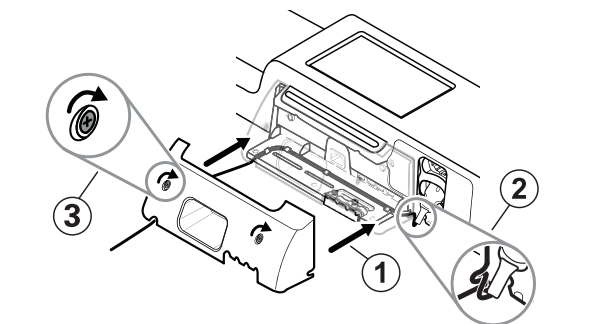
**ADVARSEL** Hvis ikke denne sikringskruen festes, kan det medføre personskaide og skade på utstyret.



7. Hvis vegggheten er konfigurert for SpO2, kobler du til SpO2-kabelen og trekker den gjennom kanalen over sikkerhetskruen du nettopp festet

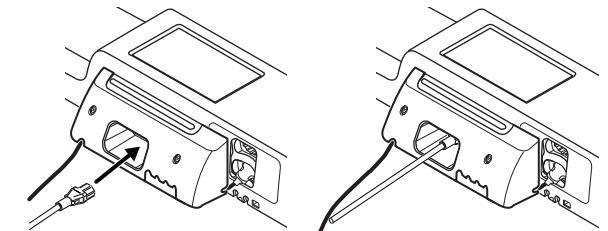


8. Sett på dekslet igjen.  
a. Trø SpO2-kabelen gjennom hullene øverst til høyre og nederst til venstre i dekslet.



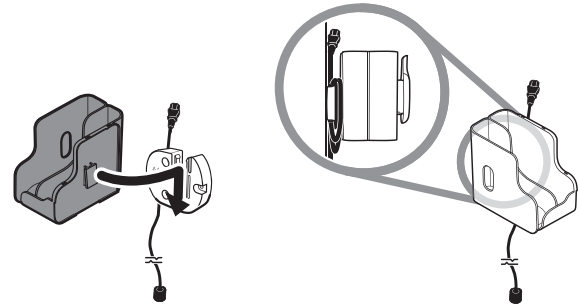
b. Skru til de to festeskruene.

9. Fest systemstrømledningen til vegggheten. Ikke sett støpslet i stikkontakten ennå.

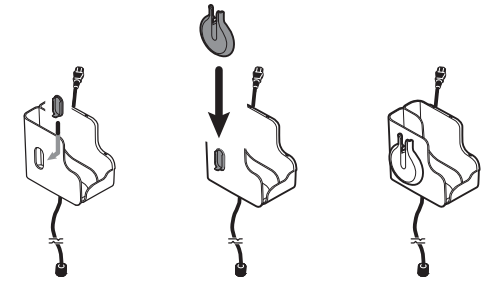


## Feste tilbehørholderen

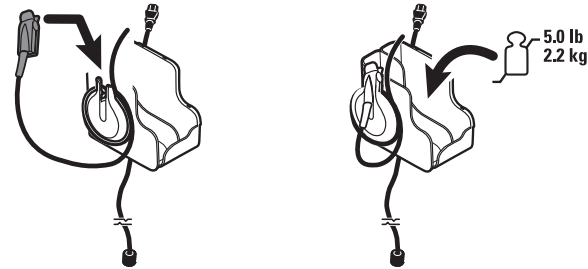
1. Fest tilbehørholderen på tilbehørholderbraketten, og kveil deretter overskytende strømledning løst rundt tilbehørholderbraketten.




2. Hvis veggssystemet er konfigurert for SpO2, fester du SpO2-spolen til tilbehørholderen ved å skyve spolen inn på festeklemmen.



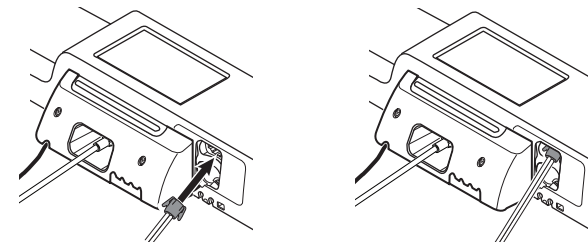
3. Orienter SpO2-kabelen riktig, og sett den inn i pasientkabelkontakten. (Du koblet nettopp den andre enden av sensorkabelen til veggssystemet.) Påse at sensorkabelen er satt helt inn, og lukk deretter beskyttelsesdekelet. (Se i sensorprodusentens bruksanvisning.)
4. Kveil overskytende SpO2-pasientkabel rundt spolen, og sett SpO2-fingerklemmen i SpO2-holderen.



 Grenser for maksimale driftsbelastninger

## Koble til blodtrykksslangen (NIBP)

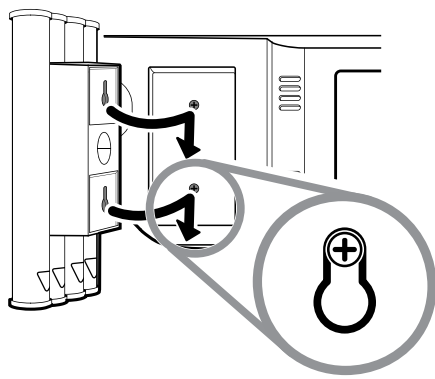
1. Plasser slangekontakten overfor slangekontaktporten i bunnen av monitoren.
2. Sett inn slangekontakten, og trykk bestemt til den klikker på plass.



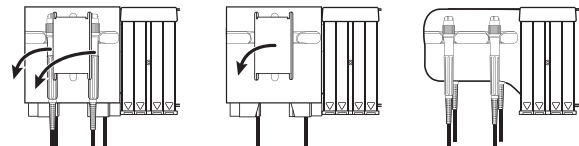
3. Fest en blodtrykksmansjett til slangen (se mansjettprodusentens bruksanvisning), og oppbevar deretter mansjetten i tilbehørholderen.

## Sett opp instrumenthåndtakene for fysiske undersøkelser og tubedispenseren

1. Fest tubedispenseren. Pass på at nøkkelhulllåsesporene bak på dispenseren griper i låseskruene til veggssystemet, og trykk deretter bestemt nedover.



2. Fjern pappen som beskytter instrumenthåndtakene.



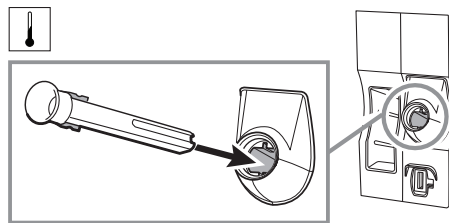
3. Fest det ønskede Welch Allyn 3.5V-instrumenttilbehøret på håndtakene. Se bruksanvisningen for hvert instrumenthode.

## Sett opp SureTemp® Plus-termometeret

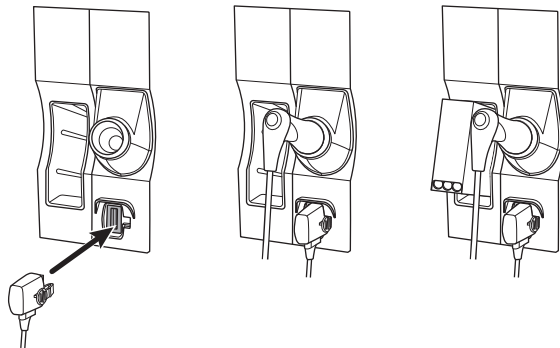
Hvis veggssystemet er konfigurert for et SureTemp Plus-termometer, følger du disse instruksjonene for oppsett.

1. Plasser probelommen i forhold til tappene som er vendt opp og ned, og sett probelommen inn i temperaturmodulen.

Probelommen klikker på plass når den sitter riktig.



2. Hold temperaturprobekabelkontakten med den fjærbelastete tappen til høyre, og sett den inn i probeporten på temperaturmodulen. Skyv den på plass til det klikker.
3. Sett inn temperaturproben inn i probelommen.
4. Åpne en eske med probebeskyttere, og plasser den i holderen for probebeskytteresken.

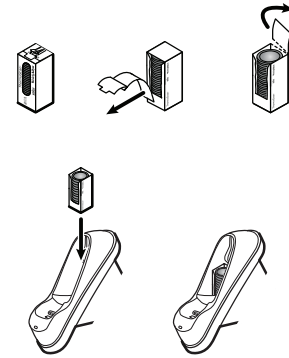


**Merknad** Plasser ekstra esker med probebeskyttere i oppbevaringsrommet på toppen av veggssystemet.

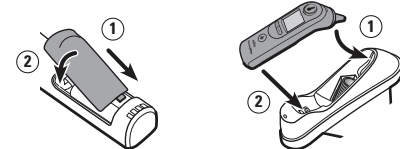
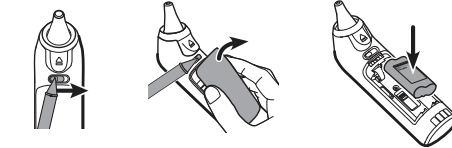
## Sett opp Braun ThermoScan® PRO termometeret

Hvis systemet er konfigurert for Braun ThermoScan-termometeret, følger du disse instruksjonene for oppsett.

1. Ta termometeret ut av emballasjen. Åpne deretter en eske med probebeskyttere, og plasser den i dokken.



2. Åpne dekselet på termometeret, sett inn batteriet, sett termometerdekelet på plass, og plasser deretter termometeret i dokken.



3. Lad Braun-termometeret i 24 timer før bruk.
4. Se produsentens instruksjoner for hvordan du bytter fra Celsius til Fahrenheit.

**Merknad** Braun ThermoScan Pro 6000-termometeret lades ikke under EKG-overvåking. Når EKG-overvåkingen stoppes, starter termometeret å lades igjen automatisk.

## Koble til strøm

Veggssystemet benytter både batteri- og nettstrøm. Når du har fullført alle andre oppsettaktiviteter, kan du tilføre strøm til veggssystemet.

1. Sett støpselet i stikkkontakten for å tilføre strøm til monitoren og lade batteriet.




**Merknad** Nye batterier er bare 30 prosent oppladet. Du må koble veggssystemet til nettstrøm for å lade batteriet fullstendig. Ikke sett i strømledningen for alle forberedende trinn er utført.

2. Gå videre til oppstart.

## Oppstart

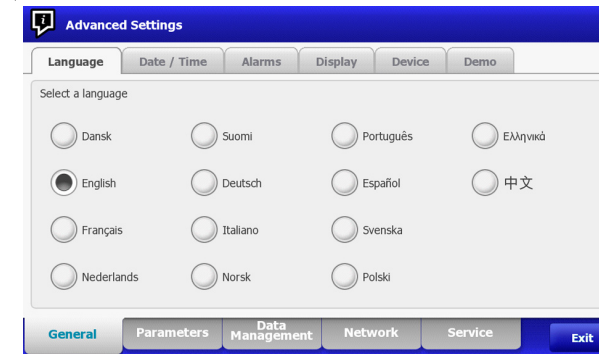
### Slå på veggssystemet.

Trykk på  for å slå på veggssystemet.

### Velg et språk

Når du slår på veggssystemet for første gang, vises skjermbildet for valg av språk.

1. Velg språk.




2. Trykk på **Avslutt**.

Hjem-fanen vises.

### Angi dato og klokkeslett

1. Berør **Innstillinger**-fanen.
2. Berør **Enhet**-fanen.
3. Hvis du vil endre dato og klokkeslett, berører du pil opp eller pil ned eller

berører  og legger inn en verdi.

Gjenta for hver verdi du vil endre.

**Merknad** Dato- og tidsstempel på lagrede pasientmålinger blir justert i henhold til nye innstillinger for dato og klokkeslett.

### Stille inn standard konfigurasjon

1. Berør **Innstillinger**-fanen.
2. Berør **Enhet**-fanen.
3. Oppgi eller endre de innstillingene du ønsker å bruke eller justere.

**Merknad** De nye innstillingene vises etter hvert som de fullføres, men er midlertidige inntil de blir lagret.


4. Touch **Lagre som standard**.
5. Berør **OK** for å bekrefte at du ønsker å overskrive dine tidligere innstillinger og erstatte dem med dine nye innstillinger som standard konfigurasjon ved oppstart. Eller berør **Avbryt** hvis du vil beholde de tidligere innstillingene.


De nye innstillingene blir lagret som standard konfigurasjon ved oppstart så snart du har startet monitoren på nytt.

**Merknad** Hvis veggssystemet er koblet til et nettverk, vil innstillinger for tid og dato bli synkronisert med nettverkets innstillinger.

**Merknad** Dato- og tidsstempel på lagrede pasientmålinger blir justert i henhold til nye innstillinger for dato og klokkeslett.

 Welch Allyn Inc.  
4341 State Street Road  
Skaneateles Falls, NY 13153 USA  
Tel. +1 800 535 6663 eller +1 315 685 4560 • Fax. +1 315 685 3361  
www.welchallyn.com

 CE-merkingen viser at utstyret oppfyller de sentrale kravene i EU-direktiv 93/42/EEF for medisinsk utstyr.

 Representant for juridiske spørsmål, Welch Allyn Limited  
Navan Business Park, Dublin Road, Navan, County Meath, Republic of Ireland

© 2017 Welch Allyn, Inc. Ned enerett. Welch Allyn skal ikke ha ansvar for skade på personer som forårsakes av ulovlig eller feilaktig bruk av produktet, eller som kan være et resultat av at instruksjoner, forsiktingsregler eller advarsler som er publisert i denne oppstartveiledningen. Welch Allyn er et registrert varemerke som tilhører Welch Allyn, Inc.

Revisjonsdato: 2017-05  
Welch Allyn Technical Support  
www.welchallyn.com/support



Welch Allyn Connex® Integrated Wall System

Aloitussopas

SUOMI

Asennus

**Varoitus** Welch Allyn ei ole vastuussa minkään laitteen seinäasennuksen moitteettomuudesta. Welch Allyn suosittelee, että otat yhteyttä lääketieteellisen tekniikan osastoon tai huoltopalveluun ammattitaitoisen asennuksen ja kiinnityslaitteiden turvallisuuden ja luotettavuuden takaamiseksi.

**Huomautus** Jotkin tässä julkaisussa kuvatut tuotteen ominaisuudet eivät ehkä ole saatavilla kaikissa maissa. Uusimmat tiedot Welch Allynin tuotteista ja niiden ominaisuuksista saat soittamalla Welch Allynin tekniseen tukeen.

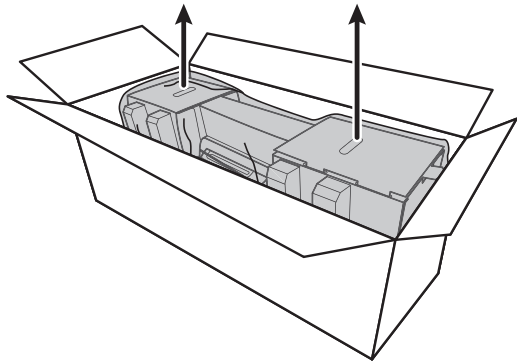
Poista seinäjärjestelmä pakkauksestaan

Tämä toiminto tehdään seinäjärjestelmän ensimmäisen asennuksen yhteydessä.

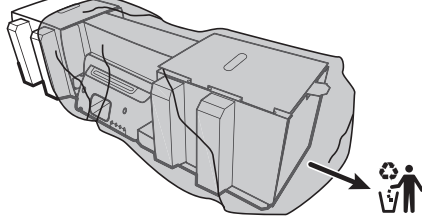
**Varoitus** Seuraa näitä ohjeita tarkalleen turvallisen ja helpon asennuksen takaamiseksi.

**Varoitus** Älä poista mitään pakkausmateriaaleja seinäjärjestelmän ympäriltä ennen kuin ohjeissa kehoitetaan.

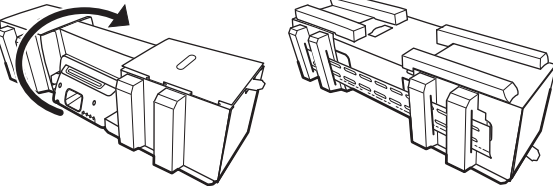
1. Nosta seinäjärjestelmä laatikosta kartonkikahvoista.



2. Nosta järjestelmä pakkausmateriaaleineen pöydälle tai tasaiselle työskentelyalustalle ja poista se muovipussista.



3. Käännä seinäjärjestelmä niin, että sen takaosa on ylöspäin.




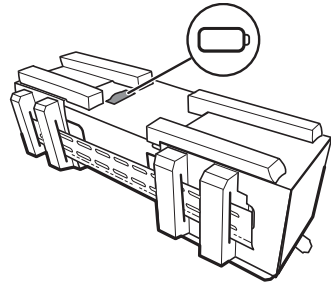
Akun asettaminen

Tämä toiminto tehdään seinäjärjestelmän ensimmäisen asennuksen yhteydessä. Näin ollen seinäjärjestelmän oletetaan olevan sammutettuna.

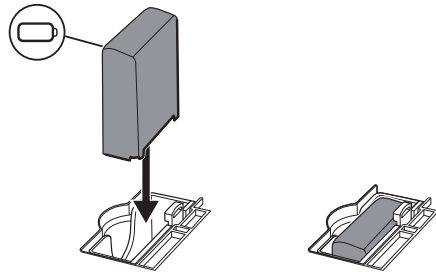
**VAARA** Tulipalon, räjähdys- ja palovammojen vaara. Älä oikosulje, murskaa, polta tai pura akkua.



1. Etsi akkulokero, joka on merkitty merkillä .

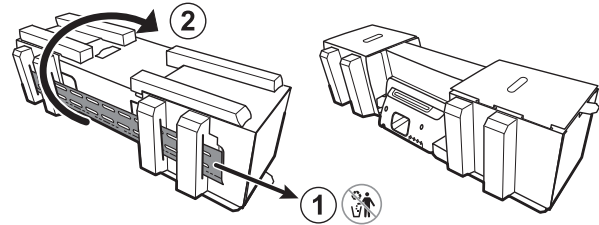


2. Aseta akku akkulokeroon. (Akku on vaaleanpunaisessa antistaattisessa pussissa tarvikelaatikossa.)

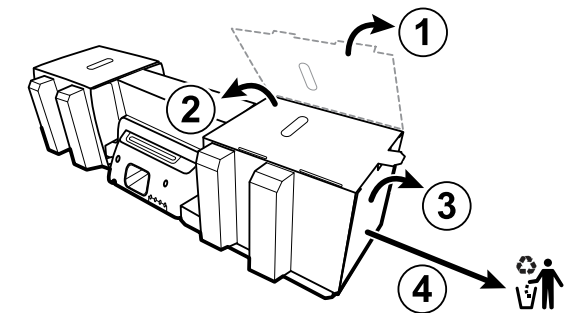


Asennuksen valmistelu

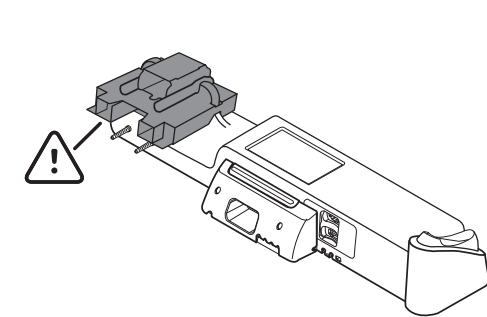
1. Liu'uta asennuskisko irti pakkauksesta ja aseta se sivuun. Älä heitä sitä roskiin. Käännä seinäjärjestelmä niin, että sen takaosa on alaspäin.



2. Poista kartonkipäädyt kuvan mukaisesti ja aseta ne sivuun kierrätystä varten.

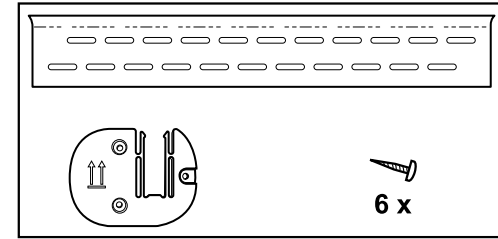


**Varoitus** Älä poista vielä kartonkia, joka pitää vasemman puolen kahvat paikallaan. Kartonki estää näiden instrumenttien vaurioitumisen asennuksen aikana.



Asennustarvikeluettelo

Käytä näitä osia seinäjärjestelmän asennukseen.



- Asennuskisko
- Tarviketelosen asennuslevy
- Ruuvit

Työkaluluettelo

Käytä näitä työkaluja seinäjärjestelmän asennukseen.

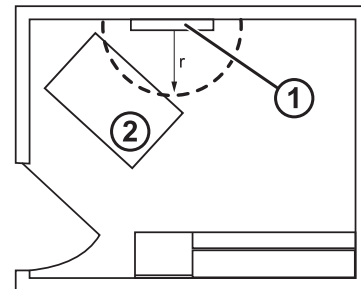
- ristipääruuvitalla (#2 Phillips)
- vesivaaka
- mittanauha
- paikkittunnistin
- pora
- 1/8-tuuman (3,17 mm) poranterä

Asennuspaikka

Ennen seinäjärjestelmän asentamista ota huomioon seuraavat suositukset parhaan asennuspaikan määrittämiseksi:

- Kiinnitä seinäjärjestelmä pystypalkkeihin.
- Asenna seinäjärjestelmä pistorasian ulottuville. Virtajohton pituus on 2,44 m.
- Vältä kirrkaasti valaistuja paikkoja.
- Verenpaineletkun pituus on 2,44 m.
- Sijoita seinäjärjestelmä niin, että kaikki instrumentit ovat saatavilla paikkaan, joka mahdollistaa tutkimusten suorittamisen ergonomisesti.

Malli huoneen pohjapiirustuksesta



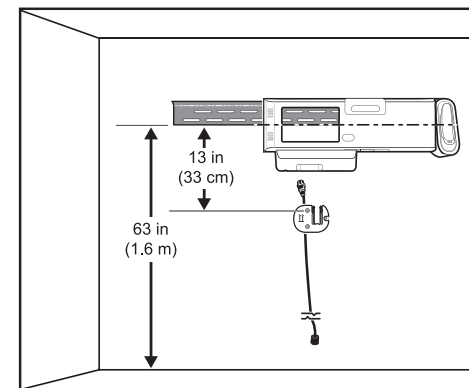
1. Connex Integrated Wall System
2. Tutkimuspöytä

Seinäjärjestelmän asentaminen

1. Etsi ja merkitse pystypalkit valitulla seinällä ja valitse järjestelmän korkeus sekä asennuskiskon vastaava korkeus.

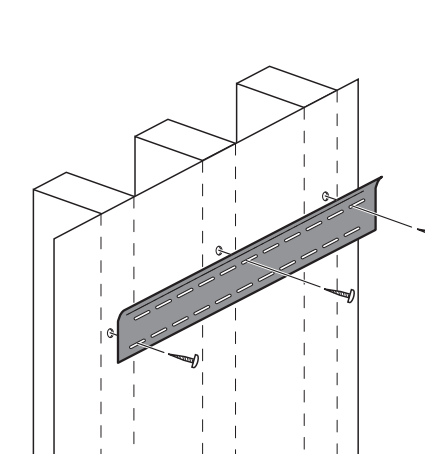
**Suusitus:** Sijoita asennuskisko 1,6 m korkeudelle lattiasta, jolloin näytön keskiosa tulee sijaitsemaan lähimmän samalla korkeudella.

**Varoitus** Tässä piirroksessa esitetään kiinnikkeiden sijainti toisiinsa ja seinäjärjestelmään nähden **sen jälkeen** kun olet suorittanut asennuksen. Älä kiinnitä seinäjärjestelmää seinään, ennen kuin olet suorittanut kaikki edelliset vaiheet.

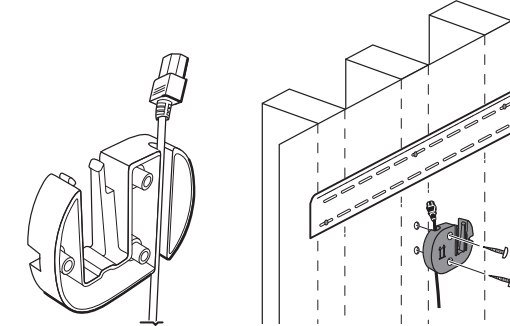


2. Kiinnitä asennuskisko kolmeen pystypalkkiin valitulle korkeudelle käyttäen ruuveja (ruuviankurit sisältyvät tarvikkeisiin).

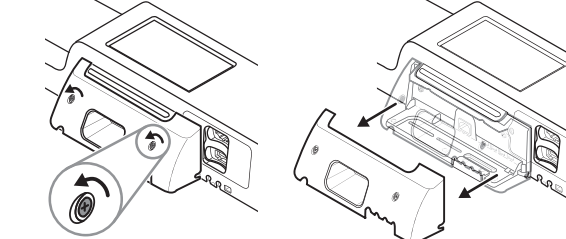
**Varoitus** Varmista, että kiskon "ylähuuli" työnny ulos seinästä ja että kisko on vaakasuorassa.



3. Ohjaa virtajohto tarviketelosen asennuslevyn takana olevan uran läpi ja kiinnitä sitten asennuslevy keskipalkkiin vähintään 33 cm kiinnityskiskon alapuolelle.

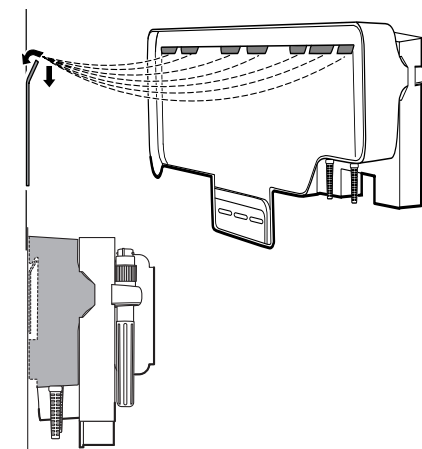


4. Ennen seinäjärjestelmän kiinnitystä poista kansi löysäämällä kiinnitysruuvit.



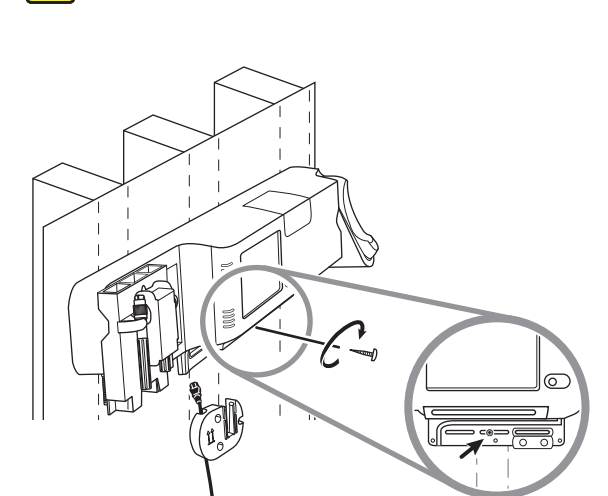
5. Nosta seinäjärjestelmä asennuskiskoon.

**VAARA** Varmista, että seinäjärjestelmän takana olevat kannattimet kiinnittyvät täysin asennuskiskoon. Seinäjärjestelmän tulisi olla suorassa ja tasassa seinän kanssa.

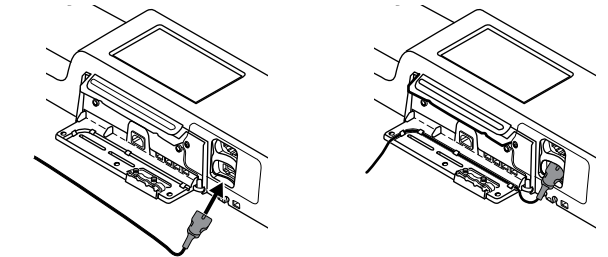


6. Valitse yksikön alaosassa olevista kolmesta aukosta yksi, joka on pystypalkin kohdalla ja varmista kiinnitys viimeisellä ruuvilla.

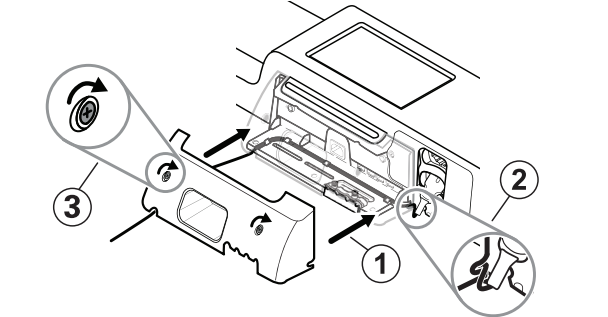
**VAARA** Tämän varmistusruuvien jättäminen kiinnittämättä voi johtaa henkilövahinkoon tai laitevaurioon.



7. Jos seinäjärjestelmä on konfiguroitu SpO2:lle, yhdistä SpO2-kaapeli ja ohjaa se juuri kiinnittämi turvaruuvien yläpuolella olevaan uraan.

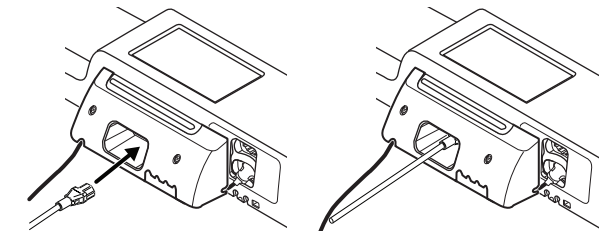


8. Kiinnitä kansi.  
a. Pujota SpO2-kaapeli kannen oikeassa yläreunassa ja vasemmassa alareunassa olevien reikien läpi.



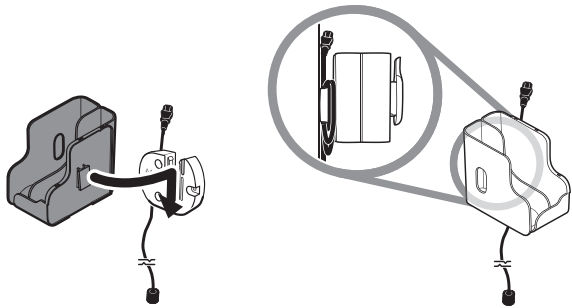
b. Kiristä kannen kaksi kiinnitysruuvia.

9. Kiinnitä järjestelmän virtajohto seinäyksikköön. Älä kiinnitä virtajohtoa pistorasiaan tässä vaiheessa.

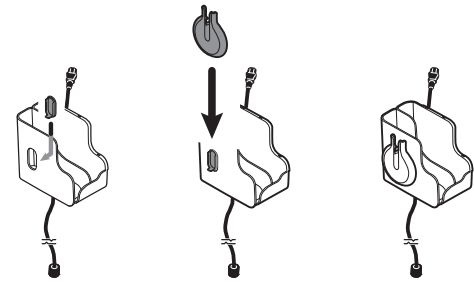


## Tarviketotelon kiinnittäminen

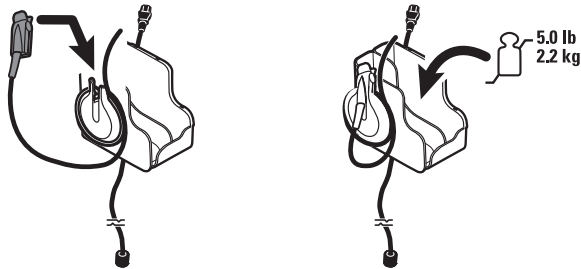
1. Kiinnitä tarviketotelo asennuslevyyn ja kiedo ylimääräinen virtajohto löyhästi sen ympäri.



2. Jos seinäjärjestelmä on konfiguroitu SpO2:lle, kiinnitä SpO2-teline tarviketoteloon liu'uttamalla teline pidikkeeseensä.

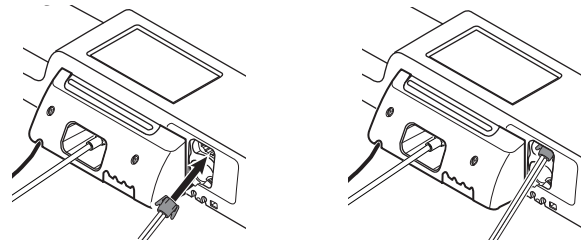


3. Suuntaa SpO2-anturikaapeli niin, että saat sen yhdistettyä potilaskaapelin liittimeen. (Liitit juuri anturikaapelin vastakkaisen pään seinäjärjestelmään.) Varmista, että anturin johto on asetettu täysin sisään ja sulje suojus. (Lue anturin valmistajan käyttöohjeet.)
4. Kiedo ylimääräinen virtajohto löyhästi telineen ympäri ja aseta SpO2-sormiklipsi SpO2-pidikkeeseen.



## Verenpaineletkun liittäminen

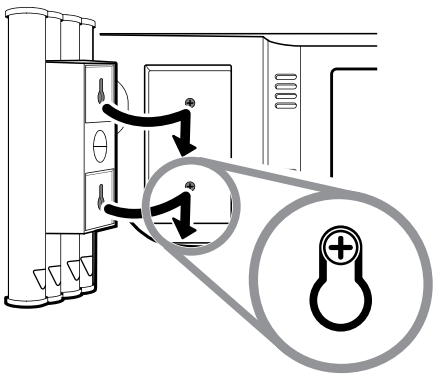
1. Kohdistat letkun liittin monitorin pohjassa olevaan letkun liittäntään.
2. Liitä letkun liittin painamalla sitä lujasti, kunnes se napsahtaa paikalleen.



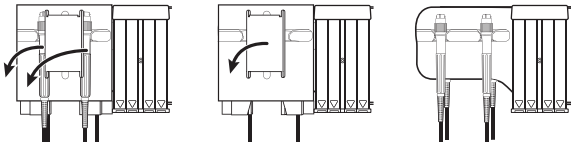
3. Kiinnitä verenpainemansetti letkuun (katso mansetin valmistajan käyttöohjeet) ja säilytä mansetti tarviketotelossa.

## Fyysisten tutkimusinstrumenttien kahvojen ja tähystinannostelijan asennus

1. Kiinnitä tähystinannostelija. Varmista, että ripustusurat annostelijan takana osuvat seinäjärjestelmän ruuvien kohdalle ja paina voimakkaasti alaspäin.



2. Poista instrumenttien kahvoja suojaava kartonki.



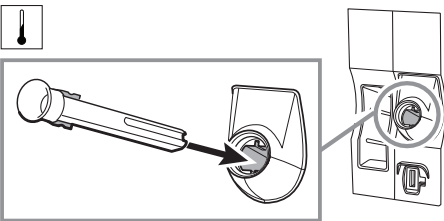
3. Kiinnitä haluamasi Welch Allynin 3,5 V instrumenttiosat kahvoihin. Lue kunkin instrumenttiosan käyttöohjeet.

## SureTemp® Plus –lämpömittarin asentaminen

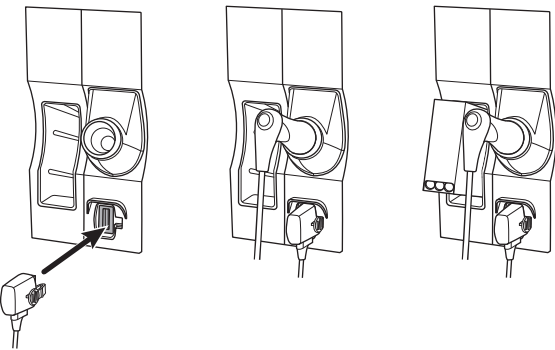
Jos seinäjärjestelmä on konfiguroitu SureTemp Plus –lämpömittarille, seuraa näitä asennusohjeita.

1. Kohdistat suojatasku tarkkaan ylös- ja alaspäin olevien kielekkeiden kanssa ja työnnä se lämpötilamoduuliin.

Suojatasku napsahtaa paikalleen, kun se on perillä.



2. Pidä lämpötila-anturin kaapelin liittintä siten, että jousikieleke on oikealla puolella, ja laita se lämpötilamoduulin anturiliitäntään. Paina, kunnes se napsahtaa paikalleen.
3. Aseta lämpötila-anturi suojataskuun.
4. Avaa anturisuojuslaatikko ja aseta se anturisuojuslaatikon pidikkeeseen.

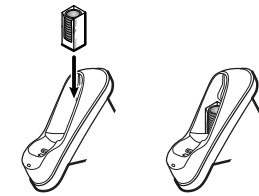
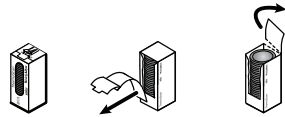


**Huomautus** Säilytä varalla anturisuojuslaatikoita seinäjärjestelmän päällä sijaitsevassa säilytyslokerossa.

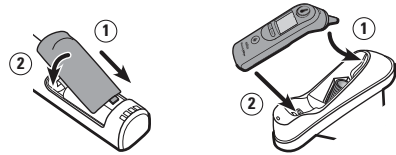
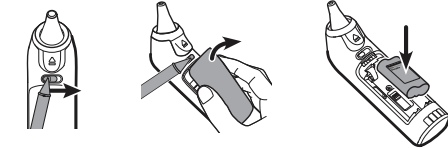
## Braun ThermoScan® PRO –lämpömittarin asentaminen

Jos seinäjärjestelmä on konfiguroitu Braun ThermoScan –lämpömittarille, seuraa näitä asennusohjeita.

1. Poista kuumemittari pakkauksesta. Avaa anturisuojuslaatikko ja aseta se telakointiasemaan.



2. Poista lämpömittarin kansi, aseta akku akkulokeroon, pane kansi takaisin paikalleen ja aseta lämpömittari telakointiasemaan.



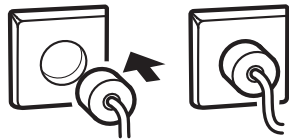
3. Lataa Braun-lämpömittaria 24 tunnin ajan ennen käyttöä.
4. Vaihda mittayksiköjä celsiusasteista fahrenheitasteiksi lämpömittarin valmistajan ohjeiden mukaisesti.

**Huomautus** Braun ThermoScan PRO 6000 lämpömittari ei lataudu EKG-monitoroinnin aikana. Kun EKG-monitorointi päättyy, lämpömittari alkaa latautua automaattisesti uudelleen.

## Kytke laite verkkovirtaan

Seinäjärjestelmä toimii sekä akku- että verkkovirralla. Kun olet saanut kaikki muut asennustehtävät valmiiksi voit kytkeä virran seinäjärjestelmään.

1. Kytke virtapistoke pistorasiaan antamaan virtaa monitoriin ja akun lataamiseksi.



**Huomautus** Uusien akkujen lataus on noin vain 30 prosenttia. Kytke virtapistoke pistorasiaan akun lataamiseksi täyteen. Älä kytke virtajohtoa pistorasiaan ennen kuin olet suorittanut kaikki edelliset vaiheet.

2. Jatka käynnistykseen.

## Käynnistys

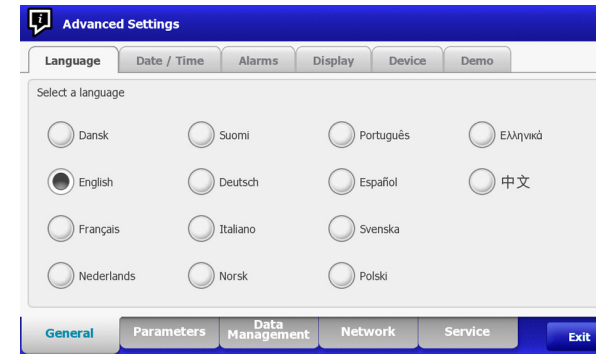
### Seinäjärjestelmän käynnistäminen

Paina  seinäjärjestelmän käynnistämiseksi.

#### Valitse kieli

Käynnistettyäsi seinäjärjestelmän ensimmäistä kertaa kielen valintaruutu tulee näkyviin.


1. Valitse kieli.



2. Kosketa **Lopeta**.

Alkuun-välehti tulee näkyviin.

#### Päivämäärän ja kellonajan asettaminen

1. Kosketa **Asetukset**-välilehteä.
2. Kosketa **Laite**-välilehteä.
3. Muutaaksesi päivämäärää ja kellon aikaa, kosketa ylös- ja alasnuolinäppäimiä tai kosketa  ja anna arvo.

Toista sama kaikille muutettaville arvoille.

**Huomautus** Tallennettujen potilaslukemien päiväys- ja aikaleimat säädetään uusien päiväys- ja aika-asetusten mukaan.

#### Oletusasetusten asettaminen

1. Kosketa **Asetukset**-välilehteä.
2. Kosketa **Laite**-välilehteä.
3. Syötä tai säädä haluamasi asetukset (lisää tai muuta).

**Huomautus** Uudet asetukset näkyvät sitä mukaa kun ne tehdään, mutta ne eivät ole voimassa, ennen kuin ne tallennetaan.

4. Kosketa **Tallenna oletukseksi**.
5. Vähistä koskettamalla **OK**, että haluat korvata aiemmat asetukset nykyisillä asetuksilla oletuskäynnistysasetuksiin. Jos haluat säilyttää aiemmat asetukset, kosketa **Peruuta**.

Uudet asetukset tallennetaan oletuskäynnistysasetuksiksi, kun monitori käynnistetään uudelleen.

**Huomautus** Jos seinäjärjestelmä on liitetty verkkoon, päivämäärän ja kellonajan asetukset synkronoidaan verkon asetusten kanssa.

**Huomautus** Tallennettujen potilaslukemien päiväys- ja aikaleimat säädetään uusien päiväys- ja aika-asetusten mukaan.

 Welch Allyn Inc.  
4341 State Street Road  
Skaneateles Falls, NY 13153 USA  
puh. +1 800 535 6663 tai +1 315 685 4560 • faksi +1 315 685 3361  
www.welchallyn.com

 CE-merkintä osoittaa, että laite on lääkinällisiä laitteita koskevan direktiivin 93/42/EEC mukainen.

Sääntelyasiain edustaja, Welch Allyn Limited  
Navan Business Park, Dublin Road, Navan, County Meath, Irlannin tasavalta

© 2017 Welch Allyn, Inc. Kaikki oikeudet pidätetään. Welch Allyn ei ole vastuussa henkilövahingoista eikä tuotteen laittomasta tai virheellisestä käytöstä, joka voi aiheuttaa tämän tuotteen tässä aloitusoppaassa julkaistujen ohjeiden, huomautusten ja varoitus- tai vaarailmoitusten vastaisesta käytöstä. Welch Allyn on Welch Allyn, Inc.:n rekisteröity tavaramerkki.

Versiopäivämäärä: 2017-05  
Welch Allyn Technical Support  
www.welchallyn.com/support



Welch Allyn Connex® 集成式壁挂系统

入门指南

中文

安装



**小心** 对于任何壁挂安装接口的完整性，Welch Allyn 概不承担责任。Welch Allyn 建议您与您的生物医学工程部门或维修服务部门取得联系，以确保任何安装附件得到专业安装并确保其安全性和可靠性。

注意

本入门指南中所述的一些产品功能在您所在的国家/地区可能无法使用。有关产品和功能的最新信息，请致电 Welch Allyn 客户服务部。

拆开壁挂系统包装

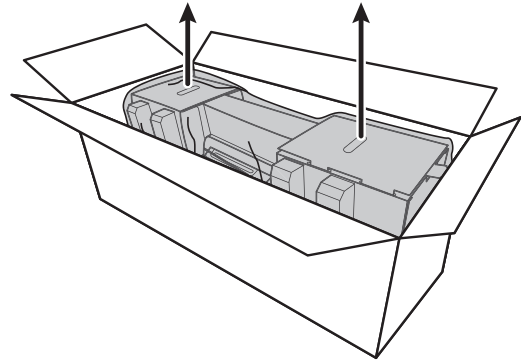
该步骤适用于初次安装壁挂系统。



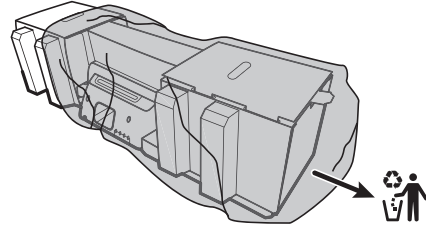
**小心** 您必须严格遵守这些说明以确保安全性和易于组装。

**小心** 除非在说明中有明确指示，否则请勿拆除包裹壁挂系统的任何包装材料。

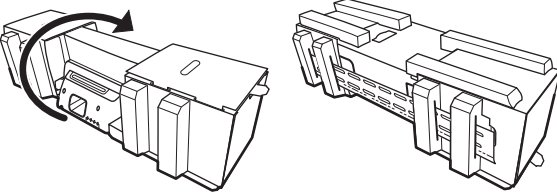
1. 握住硬纸板把手将壁挂系统从包装箱内提出来。



2. 不要拆除壁挂系统的包装材料，将其放置于桌面或平坦的工作台面上，然后将其从塑料包装袋中取出。



3. 翻转壁挂系统，使其背面朝上。




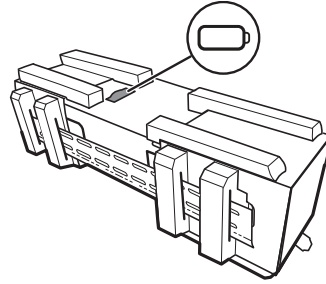
插入电池

该步骤适用于初次安装壁挂系统。因此，假设壁挂系统是关闭的。

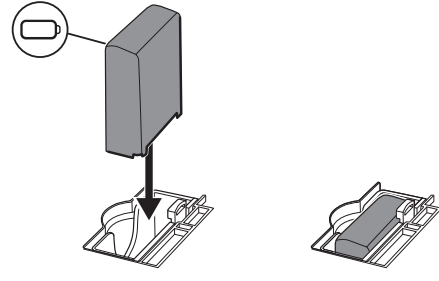


**警告** 火灾、爆炸和灼伤危险。切勿让电池短路或挤压、焚烧、拆解电池组。

1. 找到电池舱，上面标有。

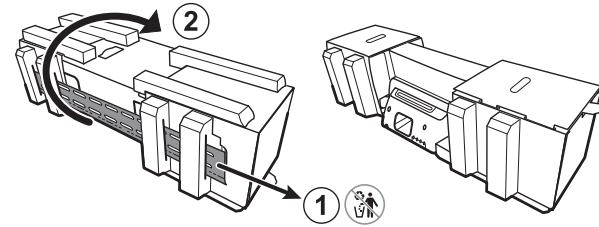


2. 插入电池。（电池装在附件包装箱内的一个粉红色防静电袋里。）

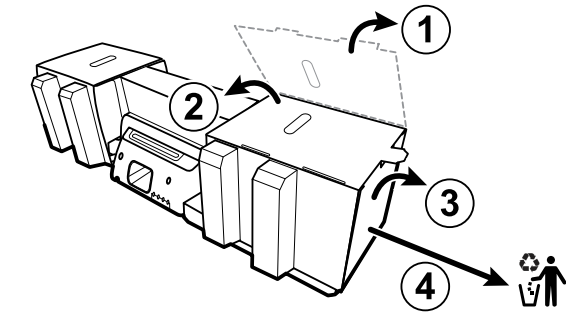


准备安装

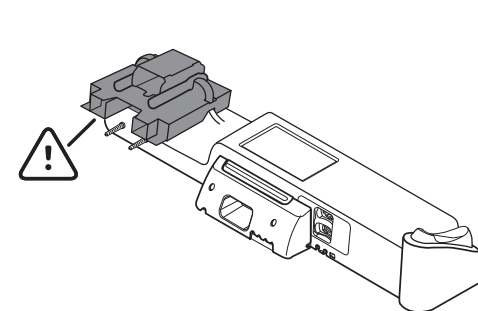
1. 将安装导轨支架从包装材料中滑出，然后将其放置在一旁。请勿将其丢弃。然后翻转壁挂系统使其背面朝下。



2. 如图所示，取下硬纸板端盖，并将其放置在一旁以供回收。

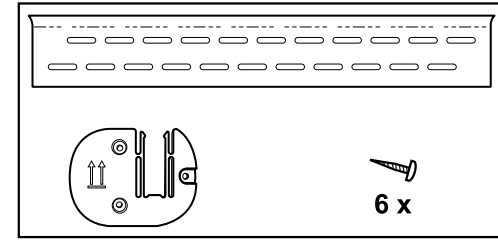


**小心** 此时请勿取下壁挂系统左侧保护手柄的硬纸板。硬纸板可在安装过程中保护那些仪器不被损坏。



安装硬件详细清单

请使用这些物品安装壁挂系统。



- 安装导轨支架
- 附件盒支架
- 螺钉

工具清单

请使用这些工具安装壁挂系统。

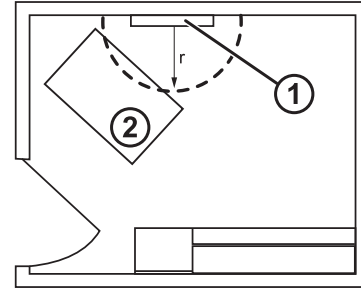
- #2 飞利浦十字螺丝刀
- 水平仪
- 卷尺
- 螺栓定位器
- 钻孔机
- 1/8 英寸（3.17 毫米）直径钻头

安装位置

安装壁挂系统前，请参考下列建议以确定最佳安装位置：

- 请将壁挂系统安装在螺栓上。
- 请将壁挂系统安装在可以够到交流电源插座的位置。电源线长度为 8 英尺（2.44 米）。
- 请避开强光照射的区域。
- 血压管路长度为 8 英尺（2.44 米）。
- 请合理定位壁挂系统，确保可以轻松操作所有仪器且能够以符合人体工程学的方式进行检查。

样板间布局



1. Connex 集成式壁挂系统
2. 检查床

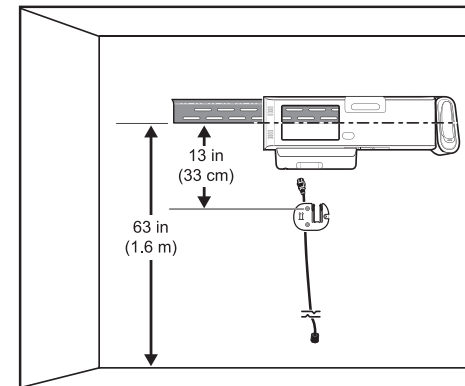
安装壁挂系统

1. 在选定的墙面上，定位并标记螺栓，然后选择系统高度以及安装导轨支架所对应的高度。

**建议：** 请将安装导轨支架放置在距离地面 63 英寸（1.6 米）的地方，这样便可使屏幕中心的高度距离地面大约 63 英寸（1.6 米）。



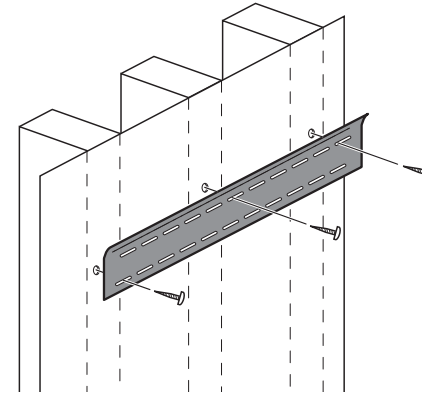
**小心** 下图展示了在您遵照安装说明完成安装之后，安装支架之间以及安装支架与壁挂系统之间的物理空间关系。在您完成所有初步步骤之前，请勿将壁挂系统放置到墙面上。



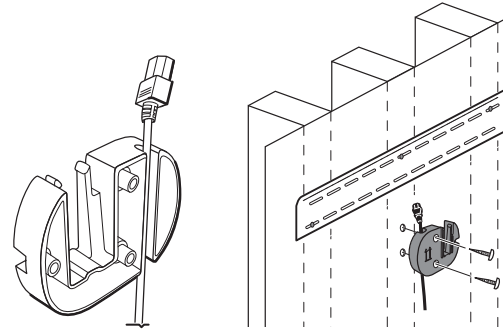
2. 在选定的高度使用提供的螺钉将安装导轨支架固定到三个螺栓上（提供了固定装置以实现额外支撑）。



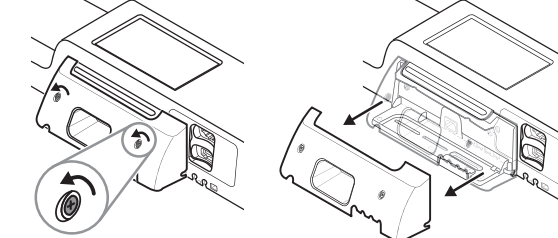
**小心** 请确保支架的“上”边缘“伸出墙面，且支架保持水平。”



3. 通过附件盒支架背面的凹槽敷设电源线，然后将支架安装到安装导轨支架下方至少 13 英寸（33 厘米）的中央螺栓上。



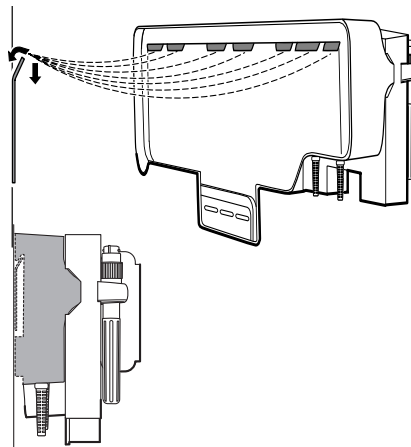
4. 安装壁挂系统之前，请拧松外加紧固螺钉，将护盖取下。



5. 将壁挂系统挂到安装导轨支架上。



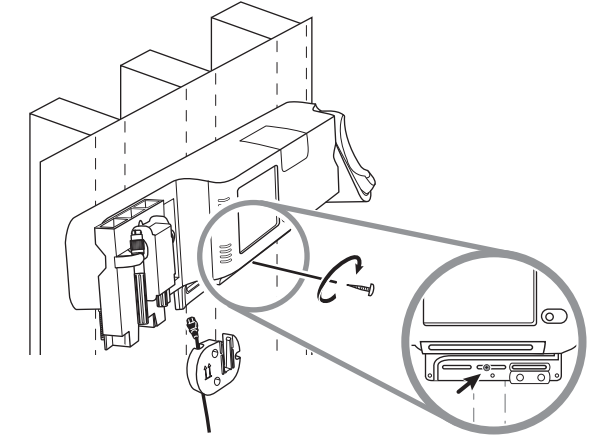
**警告** 请确保壁挂系统背面的“肋条”完全卡入安装导轨支架。壁挂系统应当保持水平且与墙面齐平。



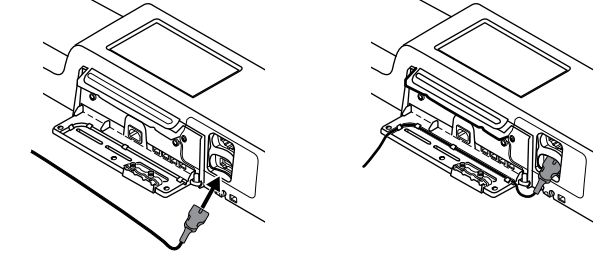
6. 选择设备底部三个可用卡槽中与某一个螺栓重叠的一个卡槽，然后用剩余的螺钉将设备固定到螺栓上。



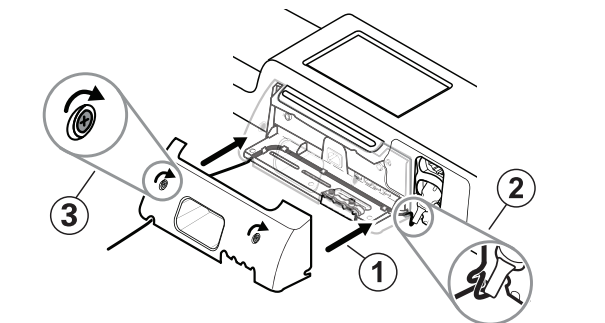
**警告** 不安装此安全螺钉可能会导致人身伤害和设备损坏。



7. 如果是为 SpO2 配置该壁挂装置，请连接 SpO2 电缆，并通过您刚刚安装的安全螺钉上方的凹槽敷设此电缆。

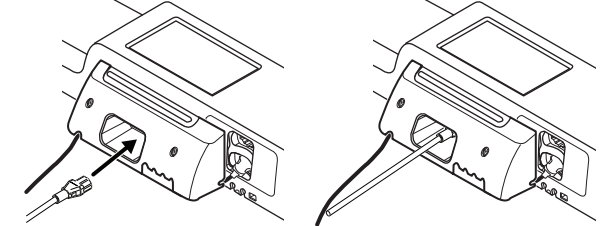


8. 重新装上护盖。
  - a. 通过此护盖右上方和左下方的开口穿过 SpO2 电缆。



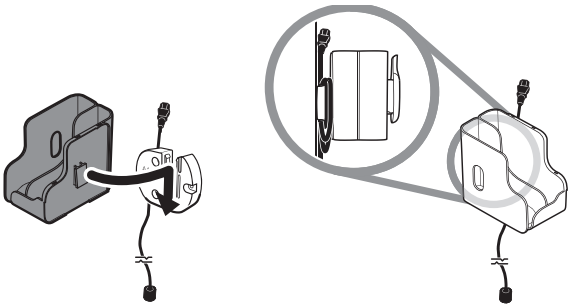
- b. 拧紧两颗紧固螺钉。

9. 将系统电源线连接至壁挂装置。此时，请勿将电源插头插入插座。

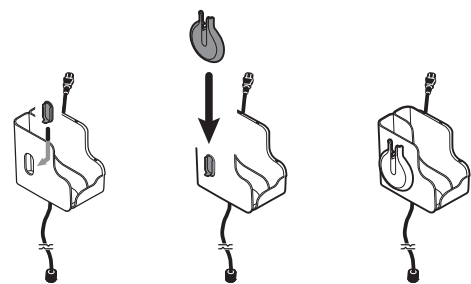


## 安装附件盒

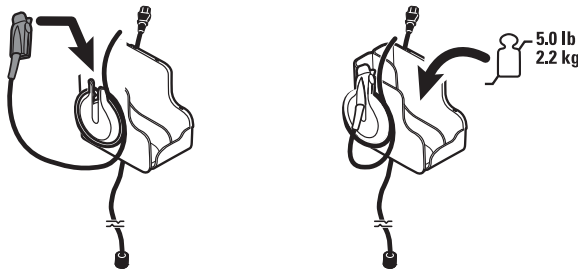
1. 将附件盒安装到附件盒支架上，然后将过长的电源线松散地绕在附件盒支架上。



2. 如果您的壁挂系统是为 SpO2 配置的，请将 SpO2 线轴滑入固定夹以将其安装到附件盒上。



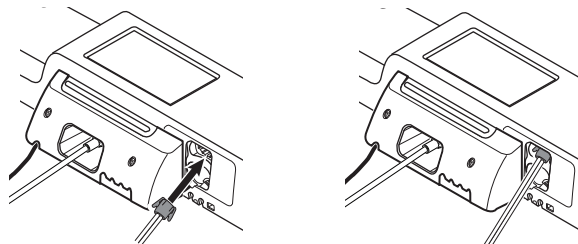
3. 适当调整 SpO2 传感器电缆的方向并将其插入患者电缆连接器。（您只需将传感器电缆的另一端连接至壁挂系统。）请确保传感器电缆完全插入，然后关闭保护盖。（请参阅传感器制造商的使用说明。）
4. 请将过长的 SpO2 患者电缆缠绕到线轴上，然后将 SpO2 手指夹放入 SpO2 置物架内。



 最大安全工作负载限制

## 连接血压 (NIBP) 充气管

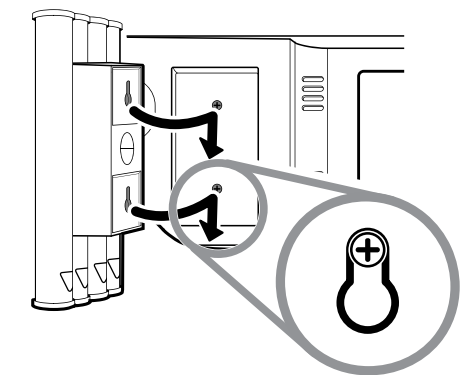
1. 将充气管连接器与监护仪底部的充气管连接器端口对齐。
2. 插入充气管连接器，用力按直至听到咔嚓一声，即表示已固定到位了。



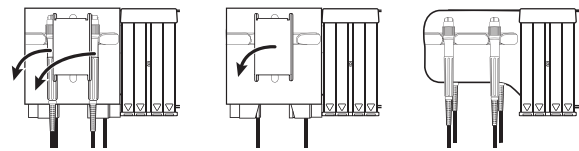
3. 将血压袖带连接至管线（请参阅袖带制造商的使用说明），然后将袖带存储在附件盒内。

## 安装身体检查仪器手柄和诊视镜分配器

1. 安装诊视镜分配器。请确保分配器背面的锁眼锁槽卡入壁挂系统的锁紧螺钉，然后用力下推。



2. 取下保护仪器手柄的硬纸板。



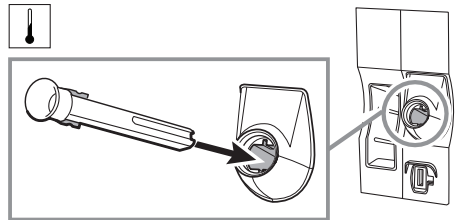
3. 将您选择的 Welch Allyn 3.5V 仪器头连接到手柄上。请参见每个仪器头的使用说明。

## 安装 SureTemp® Plus 体温计

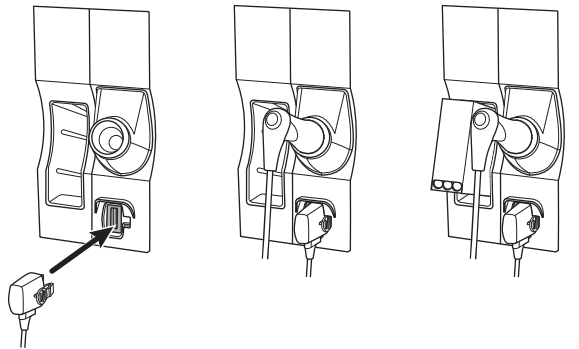
如果您的壁挂系统是为 SureTemp Plus 体温计配置的，请遵循这些安装说明。

1. 将探针容器与向上和向下拉卡舌对齐，并将探针容器插入体温模块中。

当探针容器完全就位之后，将其卡入。



2. 握住右边配带弹簧调整片的体温探针电缆连接器，并将其插入到体温模块的探针端口中。一直推入，直至听到咔嚓一声。
3. 将体温探针插入探针容器中。
4. 打开一盒探针套，并将其放置到探针套盒置物容器中。

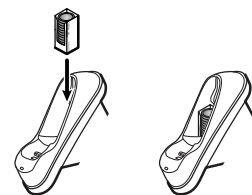
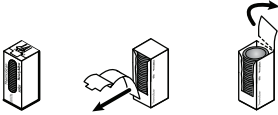


**注意** 将备用的探针套盒放置在壁挂系统顶部的存放舱内。

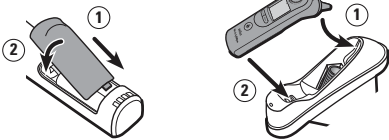
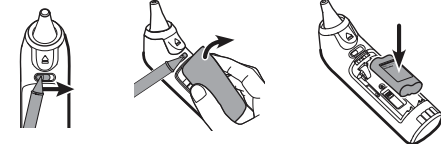
## 安装 Braun ThermoScan® PRO 体温计

如果您的壁挂系统是为 Braun ThermoScan 体温计配置的，请遵循这些安装说明。

1. 从包装内取出体温计。然后打开一盒探针套，并将其放置到基座内。



2. 取下体温计套，插入电池，更换体温计套，然后将体温计放入基座。



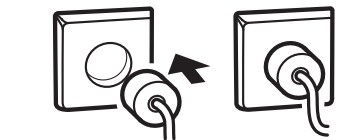
3. 使用前，请为 Braun 体温计充电 24 小时。
4. 如需从摄氏度过切换为华氏度，请参阅体温计制造商的使用说明。

**注意** Braun ThermoScan PRO 6000 体温计在 ECG 监护过程中不会充电。当 ECG 监护停止时，体温计自动恢复充电。

## 连接交流电源

壁挂系统可使用电池和交流电源。在完成所有其他安装工作后，您可以为壁挂系统接通电源。

1. 将电源插头插入插座，以便为监护仪供电并为电池充电。




**注意** 新电池的充电量仅为 30%。您必须将壁挂系统插入交流电源才能将电池充满电。在您完成所有初步步骤之前，请勿将电源线连接电源插座。

2. 接下来进行启动。

## 启动

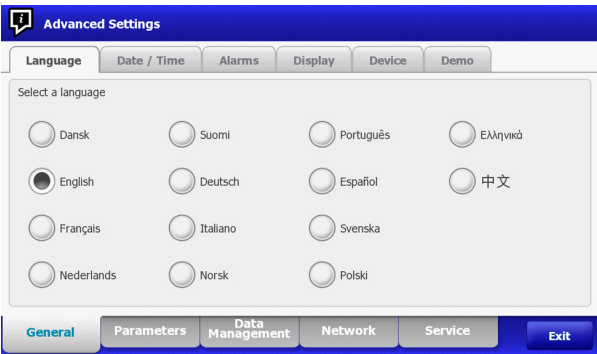
### 启动壁挂系统

按  启动壁挂系统。

### 选择语言

当您首次启动壁挂系统时，会显示语言选择屏幕。


1. 选择您要使用的语言。



2. 触按退出。

将显示“主页”选项卡。

### 设置日期和时间

1. 触按设置选项卡。
2. 触按设备选项卡。
3. 如需更改日期和时间数值，请触按向上、向下箭头键或触按  然后输入一个数值。

对您想要更改的每个数值重复上述操作。

**注意** 已保存的患者测量结果上的日期和时间戳将根据新的日期和时间设置进行调整。

### 设置默认配置

1. 触按设置选项卡。
2. 触按设备选项卡。
3. 输入或调整您要添加或更改的设置。

**注意** 完成后会显示新设置，但该设置仍为临时设置，直到您将其保存。


4. 触按保存为默认。
5. 触按确定以确认您希望改写之前的设置，并用启动默认配置中的当前设置予以取代。或者触按取消以保留之前的设置。

当您重启监护仪后，新设置即被保存为默认启动设置。

**注意** 如果壁挂系统已联网，那么日期和时间设置会与网络设置同步。

**注意** 已保存的患者测量结果上的日期和时间戳将根据新的日期和时间设置进行调整。

 Welch Allyn Inc.  
4341 State Street Road  
Skaneateles Falls, NY 13153 USA  
电话 +1 800 535 6663 或 +1 315 685 4560 • 传真 +1 315 685 3361  
www.welchallyn.com

 CE 标记表明本设备满足欧洲医疗器械指令 93/42/EEC 的所有基本要求。

 法规事务代表，Welch Allyn Limited  
Navan Business Park, Dublin Road, Navan, County Meath, Republic of Ireland

© 2017 Welch Allyn, Inc. 保留所有权利。对于在使用本产品的过程中因不遵守本入门指南中公布的说明、小心或警告信息而造成任何人受到伤害，或导致本产品的任何违法或不当使用，Welch Allyn 概不承担任何责任。Welch Allyn 是 Welch Allyn, Inc. 的注册商标。

修订日期：2017-05  
Welch Allyn Technical Support  
www.welchallyn.com/support



Welch Allyn Connex® 통합 벽걸이 시스템

시작 안내서

한국어

설치

**주의** Welch Allyn 은 어떤 벽면 설치 인터페이스에 대해서도 무결성을 보증하지 않습니다. Welch Allyn 은 고객이 사내의 생의학 기술부서 (Biomedical Engineering Department) 또는 유지보수 서비스 부서에 연락해서 설치하는 모든 부속품의 안전성과 신뢰성을 보장하는 전문적인 설치 방법을 문의하도록 권장합니다.

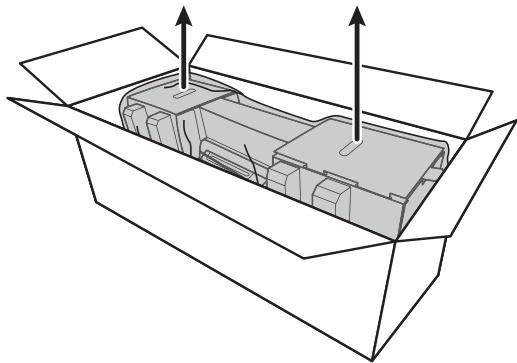
**참고** 이 설명서에 기술된 일부 제품 기능은 일부 국가에서는 제공되지 않을 수 있습니다. 제품 및 기능에 대한 최신 정보를 원하시면 Welch Allyn 고객서비스센터에 전화하십시오.

벽걸이 시스템의 포장을 뜯습니다.

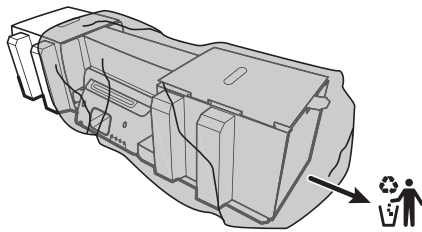
이 절차는 벽걸이 시스템을 처음 설치하는 경우에 적용됩니다.

**주의** 안전을 지키면서 쉽게 조립하기 위해서는 이 지침을 정확하게 따라야 합니다.  
**주의** 지침상에 명확한 지시가 있을 때까지 벽걸이 시스템 둘레의 어떤 포장 재료도 제거하지 마십시오.

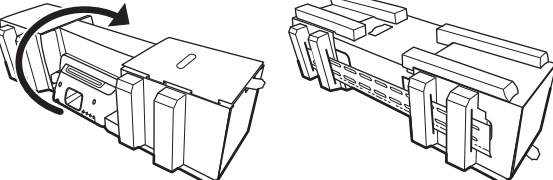
1. 카드보드 핸들을 잡고 벽걸이 시스템을 상자에서 꺼냅니다.



2. 포장 재료는 아직 제거하지 않은 상태에서 벽걸이 시스템을 테이블이나 평평한 작업대 위에 올려놓고 비닐 주머니를 벗깁니다.



3. 벽걸이 시스템을 뒤집어서 시스템의 뒷면이 위를 향하게 합니다.

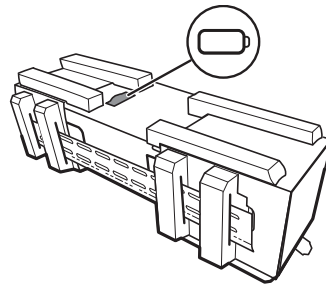


배터리 삽입

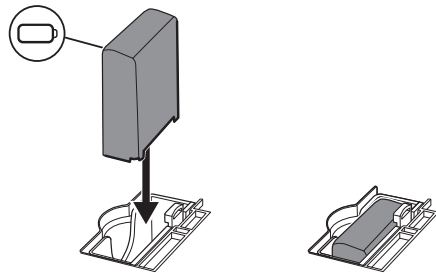
이 절차는 벽걸이 시스템을 처음 설치하는 경우에 적용됩니다. 따라서, 시스템이 꺼져있다고 가정합니다.

**경고** 화재, 폭발 및 화학 위험. 배터리 팩을 단락시키거나, 압착, 소각 또는 분해하지 마십시오.

1. 표시가 있는 패터리함의 위치를 확인합니다.

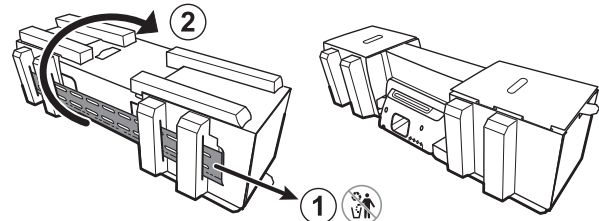


2. 배터리를 삽입합니다. (배터리는 부속품 상자의 분홍색 정전기 방지 백에 들어 있습니다.)

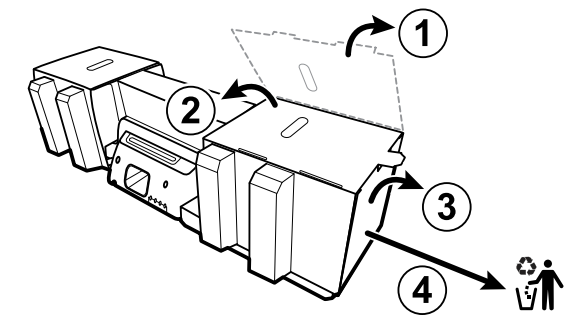


설치 준비

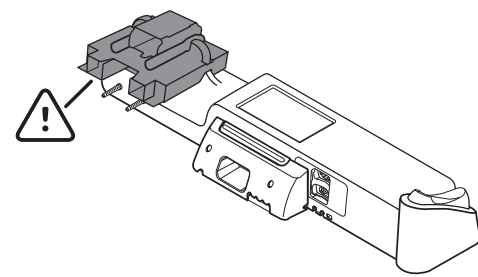
1. 마운팅 레일 브래킷을 포장 재료로부터 잡아당겨 분리한 다음 따로 둡니다. 버리지는 마십시오. 그런 다음 벽걸이 시스템을 거꾸로 뒤집습니다.



2. 그림과 같이 카드보드 끝단 덮개를 제거한 다음 다시 사용할 수 있도록 따로 놓아둡니다.

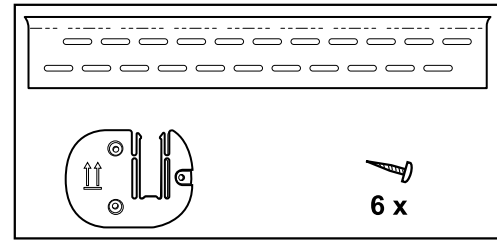


**주의** 벽걸이 시스템의 왼쪽 핸들을 감싸고 있는 카드보드는 아직 제거하지 않습니다. 이 카드보드는 설치 과정에서 기기가 손상되지 않도록 보호하는 역할을 합니다.



하드웨어 설치 인벤토리

벽걸이 시스템을 설치할 때 이 물품을 사용합니다.



- 마운팅 레일 브래킷
- 부속품 함 브래킷
- 나사

도구 목록

벽걸이 시스템을 설치할 때 이 도구를 사용합니다.

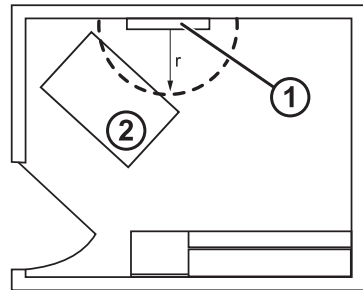
- 2호 Phillips 스크루드라이버
- 수준기
- 줄자
- 스티드 파인더
- 드릴
- 직경 1/8인(3.17mm) 드릴 비트

설치 위치

벽걸이 시스템의 설치를 시작하기 전에 다음 사항을 고려하여 적합한 설치 위치를 정합니다.

- 벽걸이 시스템을 스티드에 겁니다.
- 벽걸이 시스템을 AC 전원 콘센트가 닿는 위치에 설치합니다. 전원 코드 길이는 8ft(2.44m)입니다.
- 조명이 너무 밝은 위치는 피합니다.
- 혈압 측정 튜브 길이는 8ft(2.44m)입니다.
- 모든 기기에 접근이 가능하고 불편하지 않은 자세로 검사할 수 있는 위치에 벽걸이 시스템을 설치합니다.

샘플 룸 배치 구조



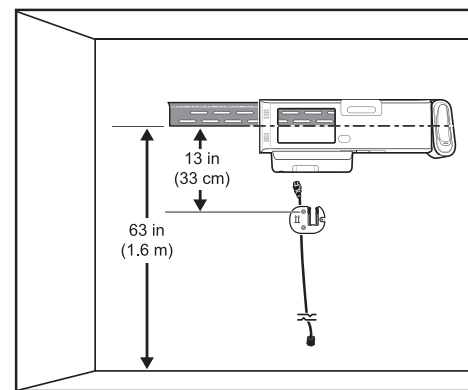
1. Connex 통합 벽걸이 시스템
2. 검사 테이블

벽걸이 시스템 설치

1. 설치하려면 벽면에서 스티드 위치를 확인 및 표시한 다음 시스템 설치 높이와 해당 마운팅 레일 브래킷 높이를 정합니다.

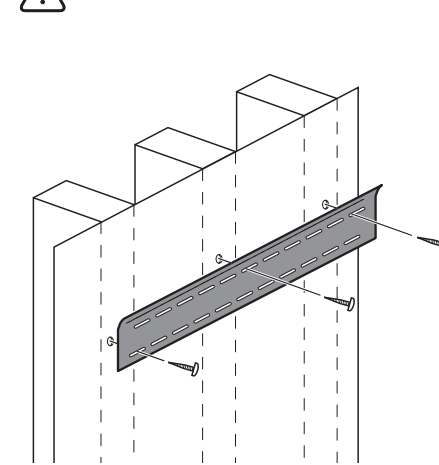
**권장 사항:** 마운팅 레일 브래킷을 바닥으로부터 63in(1.6m) 높이에 설치하여 화면 중심의 높이가 약 63in(1.6m) 가 되도록 합니다.

**주의** 아래 그림은 지침대로 설치를 완료했을 때 마운팅 브래킷 서로의 상대적 위치 및 브래킷과 벽걸이 시스템의 물리적 상관관계입니다. 기본 단계를 모두 완료할 때까지는 벽걸이 시스템을 벽에 걸지 마십시오.

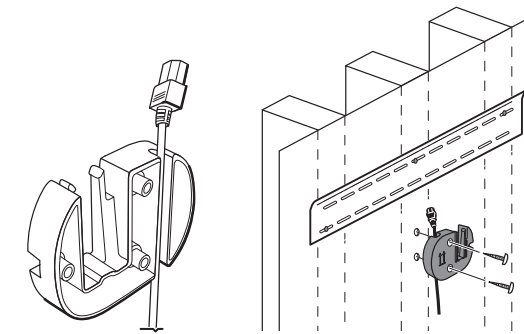


2. 나사를 사용해 정해진 높이에 있는 3 개의 스티드에 마운팅 레일 브래킷을 고정합니다 (더 단단한 고정을 위해 앵커 제공).

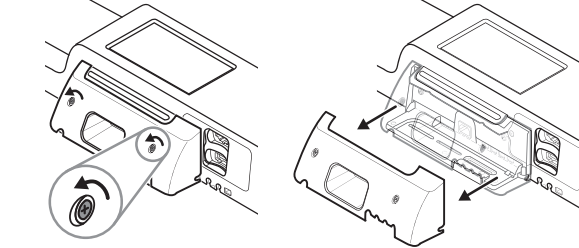
**주의** 브래킷은 뒷면이 벽면에서 솟아있고 수평을 이루어야 합니다.



3. 부속품 함 브래킷의 뒤쪽 구멍으로 전원 코드를 통과시킨 다음 이 브래킷을 마운팅 레일 브래킷으로부터 최소 13in(33cm) 아래에 있는 중앙 스티드에 끼웁니다.

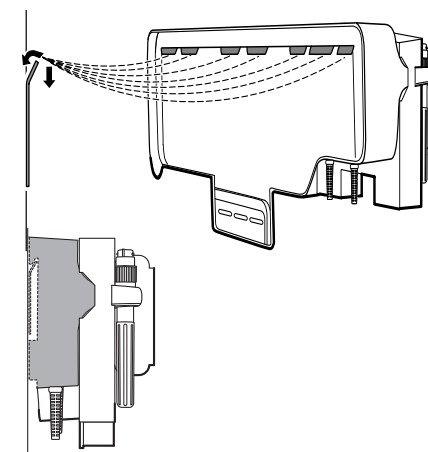


4. 벽걸이 시스템을 설치하기 전에 고정 나사를 풀어 덮개를 제거합니다.



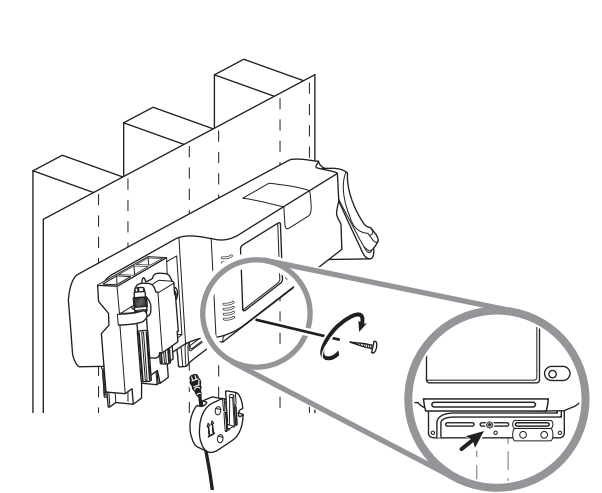
5. 벽걸이 시스템을 마운팅 레일 브래킷에 겁니다.

**경고** 벽걸이 시스템의 뒷면 결쇠가 마운팅 레일 브래킷과 완전히 맞물리도록 합니다. 벽걸이 시스템은 수평을 이루고 벽면에 밀착되어야 합니다.

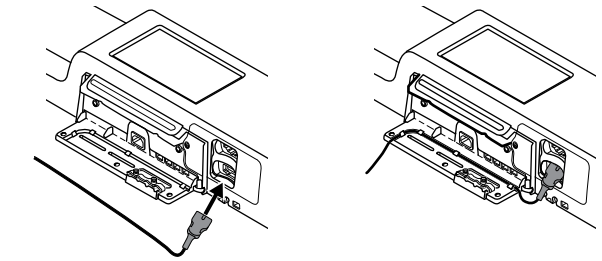


6. 장치 아래의 슬롯 3 개 중 스티드와 접하는 것 하나를 정하고 남은 나사를 사용해 장치를 해당 스티드에 고정합니다.

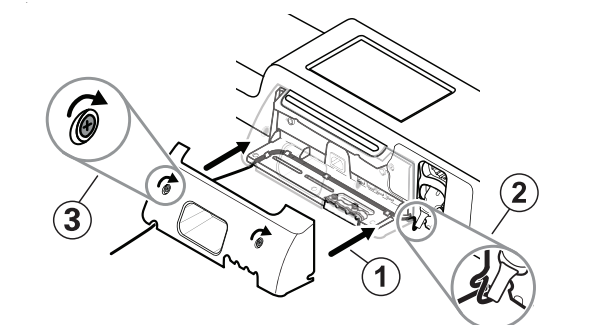
**경고** 이 안전 나사를 끼우지 않으면 사람이 다치거나 장비가 손상될 수 있습니다.



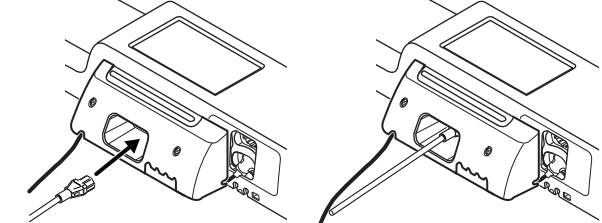
7. 벽걸이 장치가 SpO2 측정용으로 구성되어 있으면 SpO2 케이블을 연결하고 이 케이블을 방금 설치한 고정 나사의 위에 있는 구멍으로 통과시킵니다.



8. 덮개를 다시 부착합니다.  
a. 덮개의 우측 상단과 좌측 하단의 홈으로 SpO2 케이블을 통과시킵니다.

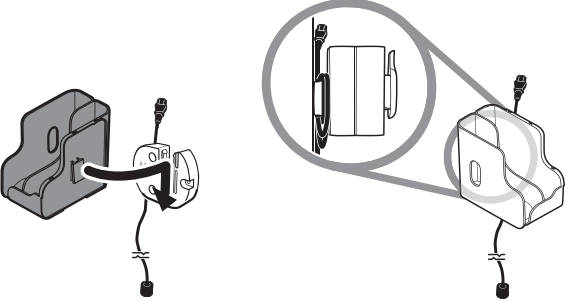


b. 고정 나사 두 개를 단단히 조입니다.  
9. 시스템 전원 코드를 벽걸이 장치에 연결합니다. 아직 코드를 콘센트에 꽂지 마십시오.

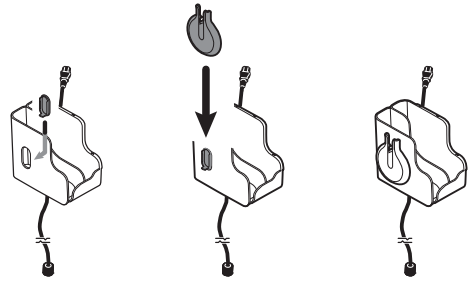


## 부속품 함 설치

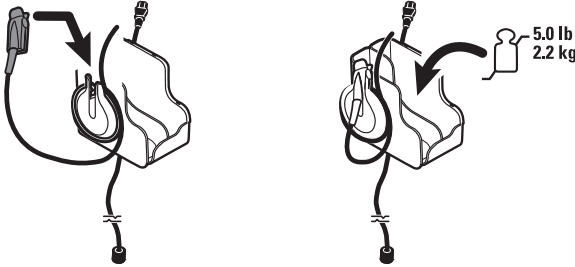
- 부속품 함을 부속품 함 브래킷에 고정하고 전원 코드의 남은 부분을 브래킷에 험겁게 감습니다.



- 벽걸이 시스템이 SpO2 측정용으로 구성되어 있으면 SpO2 스펀지를 고정 클립에 밀어서 끼워 부속품 함에 스펀지를 부착합니다.



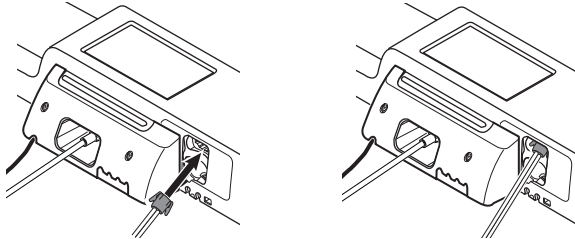
- SpO2 센서 케이블을 올바른 방향으로 환자 케이블 커넥터에 끼웁니다 (센서 케이블의 반대쪽 끝은 벽걸이 시스템에 연결됨). 센서 케이블을 완전히 삽입하고 보호 덮개를 닫습니다 (센서센서 제조업체의 사용 지침 참조).
- SpO2 환자 케이블의 남은 부분을 스펀지에 감고 SpO2 핑거 클립을 SpO2에 끼웁니다.



 안전 작업 부하 최대 한계

## 혈압 (NIBP) 호스 연결

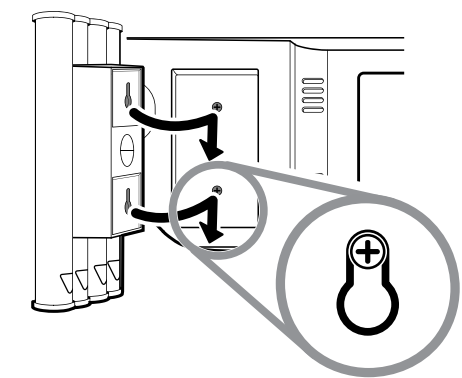
- 호스 커넥터를 모니터 하단에 있는 호스 커넥터 포트에 정렬합니다.
- 호스 커넥터를 삽입하고, 커넥터가 딸깍하고 고정될 때까지 힘껏 누릅니다.



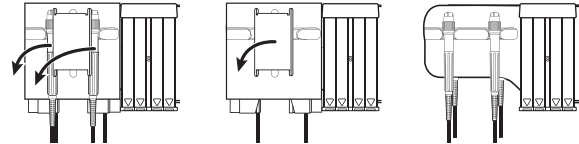
- 혈압 커프를 튜브에 부착한 다음 (커프 제조사 사용 지침 참조) 커프를 부속품 함에 넣어 보관합니다.

## 물리적 측정 기기 핸들과 검안경 분배기 설치

- 검안경 분배기를 부착합니다. 분배기 뒤쪽의 키홀 고정 슬롯과 벽걸이 시스템의 고정 나사가 맞물리도록 한 다음 슬롯을 아래로 세게 밀니다.



- 기기 핸들을 고정하는 카드보드를 제거합니다.



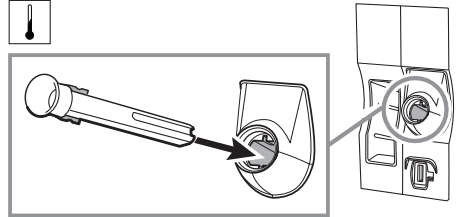
- 원하는 Welch Allyn 3.5V 기기 헤드를 핸들에 연결합니다. 각 기기 헤드의 사용 지침을 참조하십시오.

## SureTemp® Plus 체온계 설정

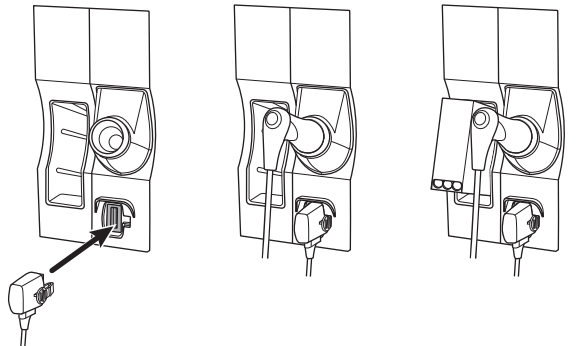
벽걸이 시스템에 SureTemp Plus 온도계를 사용하도록 구성된 경우 다음 설정 지침을 따르십시오.

- 프로브 웰을 탭이 각각 위 아래를 향하도록 정렬하고 온도 모듈에 삽입합니다.

프로브 웰이 완전히 고정되면 딸깍하고 걸리는 느낌이 듭니다.



- 스프링 탭이 오른쪽에 오도록 온도 프로브 케이블 커넥터를 잡고 온도 모듈의 프로브 포트에 커넥터를 끼웁니다. 딸깍하고 걸릴 때까지 밀어 넣습니다.
- 온도 프로브를 프로브 웰에 끼웁니다.
- 프로브 덮개의 상자를 열고 프로브 덮개 상자 출더에 놓습니다.

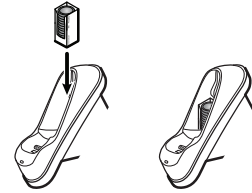
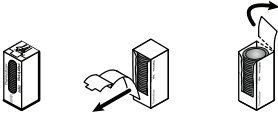


**참고** 프로브 덮개 예비 상자를 벽걸이 시스템 상단의 보관함에 넣습니다.

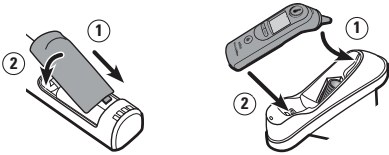
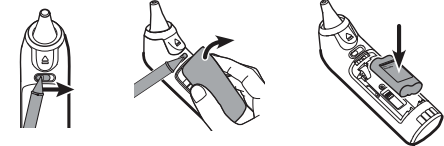
## Braun ThermoScan® PRO 온도계 설치

Braun ThermoScan 온도계 사용이 가능하도록 시스템이 구성된 경우 다음과 같은 방식으로 온도계를 설치하십시오.

- 패키지에서 온도계를 꺼냅니다. 프로브 덮개 상자를 열고, 상자를 도크에 놓습니다.



- 온도계 덮개를 제거하고 배터리를 끼운 다음 다시 온도계 덮개를 부착합니다. 그런 다음 온도계를 도크에 넣습니다.



- Braun 온도계는 사용하기 전에 24 시간 동안 충전합니다.
- 섬씨에서 화씨로 변환할 때는 온도계 제조사의 사용 지침을 참조하십시오.

**참고** ECG 모니터링 중에는 Braun ThermoScan PRO 6000 온도계가 충전되지 않습니다. ECG 모니터링이 중단되면 온도계가 자동으로 다시 충전을 시작합니다.

## AC 전원 연결

벽걸이 시스템에는 배터리와 AC 전원을 모두 사용할 수 있습니다. 다른 설정이 모두 완료되면 벽걸이 시스템을 전원에 연결할 수 있습니다.

- 전원 플러그를 콘센트에 꽂아 모니터에 전력을 공급하고 배터리를 충전합니다.




**참고** 새 배터리는 30 퍼센트만 충전되어 있습니다. 벽걸이 시스템을 AC 전원에 연결해야만 배터리를 완전히 충전할 수 있습니다. 기본 단계를 모두 완료할 때까지는 전원 코드를 놓지 마십시오.

- '장치 작동 시작' 단계로 넘어갑니다.

## 시작

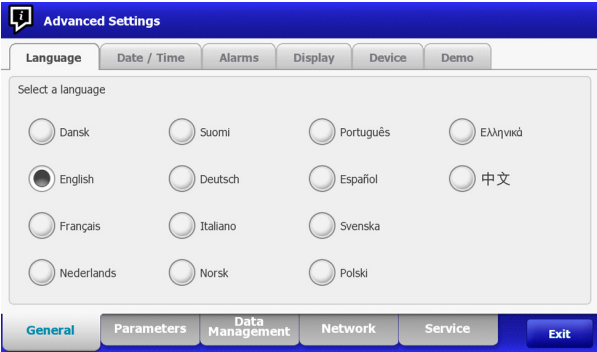
### 벽걸이 시스템 켜기

 버튼을 눌러 벽걸이 시스템의 전원을 켭니다.

### 언어 선택

벽걸이 시스템을 처음 켜면 언어 선택 화면이 나타납니다.


- 원하는 언어를 선택합니다.



- 종료 (**Exit**) 를 터치합니다.

홈 (Home) 탭이 나타납니다.

### 날짜 및 시간 설정

- 설정 (**Settings**) 탭을 터치합니다.
- 장치 (**Device**) 탭을 터치합니다.
- 날짜와 시간을 변경하려면 위 아래 화살표 키나  버튼을 터치하고 원하는 값을 입력합니다.

변경하려는 각 값에 대해 같은 과정을 반복합니다.

**참고** 저장된 환자 측정값의 날짜 및 시간 스탬프가 새로운 날짜 및 시간 설정에 맞도록 조정됩니다.

### 기본 구성 설정

- 설정 (**Settings**) 탭을 터치합니다.
- 장치 (**Device**) 탭을 터치합니다.
- 추가하거나 변경하기 원하는 설정 값을 입력 또는 조정합니다.

**참고** 입력 또는 조정을 완료하면 새로운 설정 값이 나타나지만, 저장할 때까지는 임시 값입니다.


- 기본값으로 저장 (**Save as default**) 을 터치합니다.
- 확인 (**OK**) 을 터치하여 이전 설정을 덮어쓰고 시작할 때 기본 구성의 설정을 현재 설정으로 바꿀 것임을 확인합니다. 또는 취소 (**Cancel**) 를 터치하여 이전 설정을 유지합니다.

모니터를 재시작하면 새로운 설정 값이 시작 시 기본 설정으로 저장됩니다.

**참고** 벽걸이 시스템을 네트워크에 연결하면 날짜 및 시간 설정이 네트워크 설정과 동기화됩니다.

**참고** 저장된 환자 측정값의 날짜 및 시간 스탬프가 새로운 날짜 및 시간 설정에 맞도록 조정됩니다.

 Welch Allyn Inc.  
4341 State Street Road  
Skaneateles Falls, NY 13153 USA  
전화 : +1 800 535 6663 또는 +1 315 685 4560 • 팩스 : +1 315 685 3361  
www.welchallyn.com

 CE 마크는 유럽 의료 기기 지침 93/42/EEC 의 필수 요구 사항을 모두 충족하는 장치임을 의미합니다.

 규정 관련 업무 대리인, Welch Allyn Limited  
Navan Business Park, Dublin Road, Navan, County Meath, Republic of Ireland

© 2017 Welch Allyn, Inc. 모든 권리 보유. Welch Allyn 은 이 시작 안내서에 나와 있는 지침, 주의, 경고를 준수하지 않거나 용도 설명에 따라 이 제품을 사용하지 않을 때 발생할 수 있는 부상 또는 불법적이거나 부적절한 제품 사용에 대해 책임을 지지 않습니다. Welch Allyn 은 Welch Allyn, Inc. 의 등록 상표입니다.

개정일 : 2017-05  
Welch Allyn Technical Support  
www.welchallyn.com/support



Welch Allyn Connex® 整合式壁掛系統

入門指南

繁體中文

安裝

**注意事項** Welch Allyn 對任何壁掛介面的完整性概不負責。Welch Allyn 建議您與生醫工程部門或維修服務單位聯絡，以確保所有支架配件都可獲得安全且可靠的專業安裝。

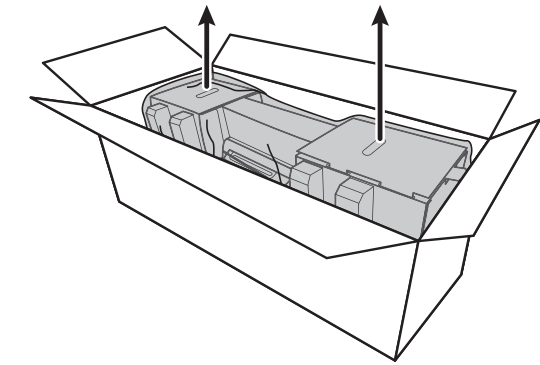
**備註** 在本出版品中提到的部分產品功能，您在國家境內不一定會提供。想要了解有關產品與功能的最新資訊，請電洽 Welch Allyn 客戶服務部門。

將壁掛系統拆封

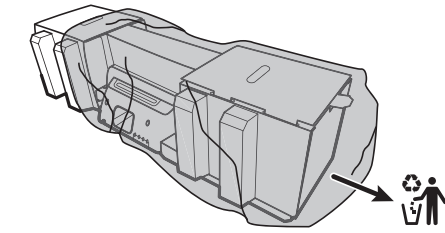
首次安裝壁掛系統時需要進行此程序。

**注意事項** 您必須確實遵守這些說明，以確保安全性和組裝的便易性。  
**注意事項** 直到說明書指示去除之前，請勿去除任何壁掛系統周圍的包裝材料。

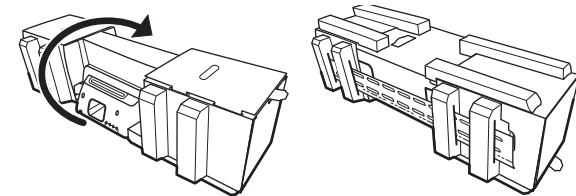
1. 透過硬紙板把手將壁掛系統從箱子中提出。



2. 在壁掛系統仍然由包裝材料包覆時，將其放到桌上或平坦工作表面，並從塑膠袋中取出系統。



3. 翻轉壁掛系統，使壁掛系統的背面朝上。




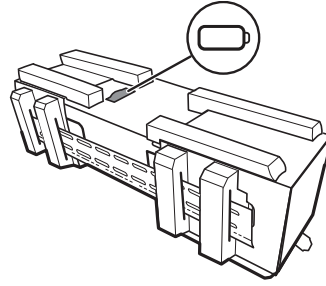
插入電池

首次安裝壁掛系統時需要進行此程序。因此，壁掛系統應關閉。

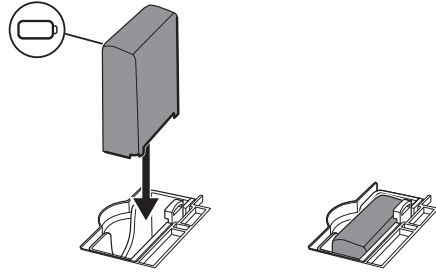
**警告** 存在火災、爆炸、及灼傷的風險。請勿讓電池組短路、勿重壓、焚燒或拆解電池組。



1. 找出電池槽，以  表示。

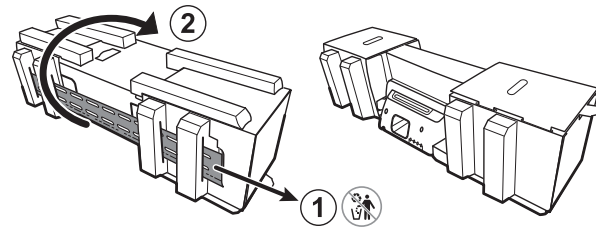


2. 插入電池。(電池是在配件盒的粉紅色防靜電袋內。)

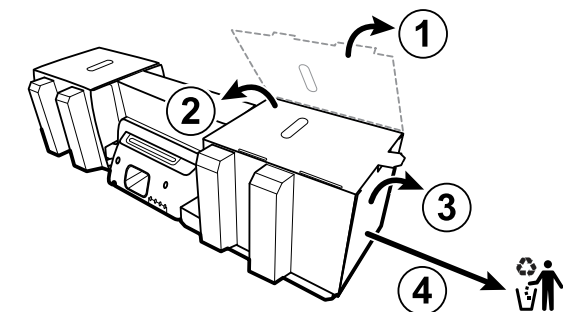


準備安裝

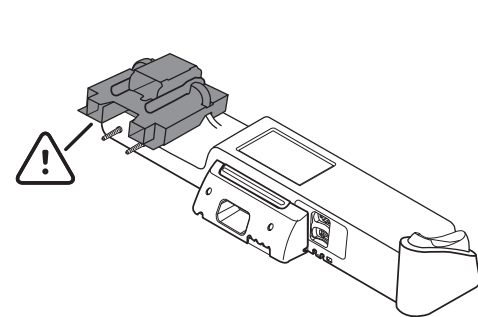
1. 將安裝導軌托架從包裝材料中滑出，並把它放在一邊。請勿丟棄，然後將壁掛系統翻轉到背面。



2. 取下硬紙板底蓋 (如圖所示) 並放到一邊進行回收。

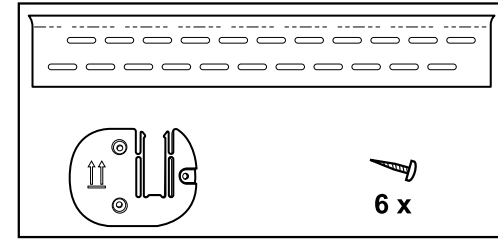


**注意事項** 在這個時候，不要取下固定壁掛系統左側把手的硬紙板。硬紙板可防止這些儀器在安裝過程期間損壞。



安裝硬體清單

使用這些物品來安裝壁掛系統。



- 安裝導軌托架
- 配箱托架
- 螺絲

工具清單

使用這些工具來安裝壁掛系統。

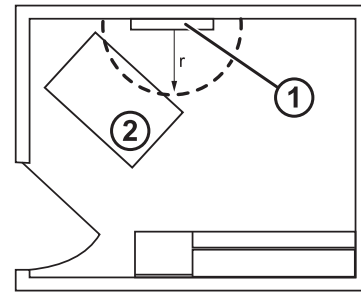
- #2 Phillips 螺絲起子
- 水準儀
- 捲尺
- 螺柱探測器
- 鑽頭
- 1/8 吋 (3.17 公釐) 直徑鑽頭

安裝位置

在安裝壁掛系統之前，請考慮以下建議來決定最佳安裝位置：

- 將壁掛系統安裝到螺柱上。
- 將壁掛系統安裝在 AC 電源插座附近。近。電源線長 8 英尺 (2.44 公尺)。
- 避免明亮的地方。
- 血壓管長 8 英尺 (2.44 公尺)。
- 將壁掛系統定位於可以操作所有儀器，並能夠進行人體工學檢查的位置。

範例房間佈局



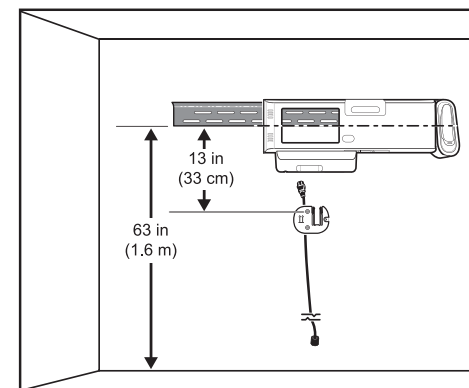
1. Connex 整合式壁掛系統
2. 檢查台

安裝壁掛系統

1. 在選定的牆上，找到並標記螺柱，並選擇系統高度和相應的安裝導軌托架高度。

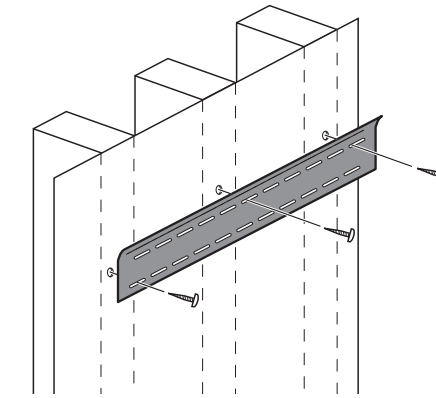
**建議：**將安裝導軌托架置於距地板 63 英寸 (1.6 公尺) 處，即將螢幕中心高度置於距地板約 63 英寸 (1.6 公尺) 處。

**注意事項** 此圖顯示完成安裝說明之後，安裝托架之間以及與壁掛系統之間的物理位置。完成所有初始步驟之前，請勿將壁掛系統放到牆上。

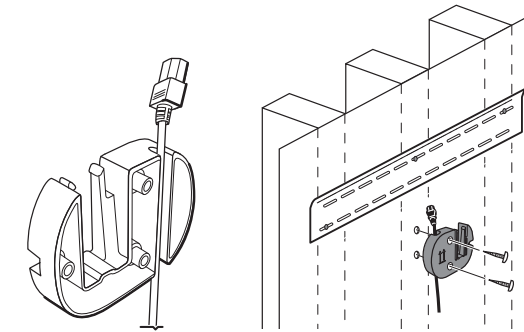


2. 使用手邊的螺絲將安裝導軌托架固定在選定高度的三個螺柱上 (提供錨點以加強支撐)。

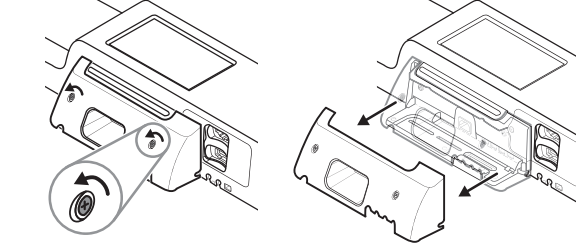
**注意事項** 確保托架的上「唇部」自牆壁向外突出，且托架保持水平。



3. 將電源線穿過配箱托架背面的通道，然後將托架安裝在安裝導軌托架下方至少 13 英寸 (33 公分) 的中心螺柱上。

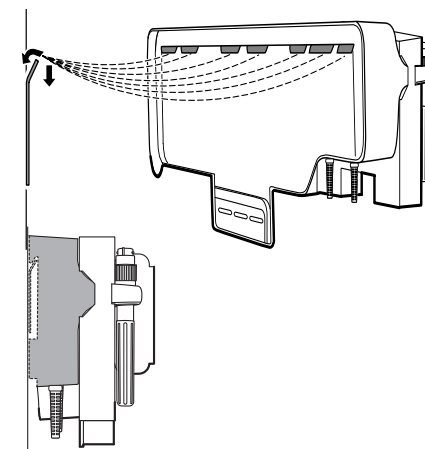


4. 在安裝壁掛系統之前，請鬆開防鬆脫固定螺絲，以取下蓋子。



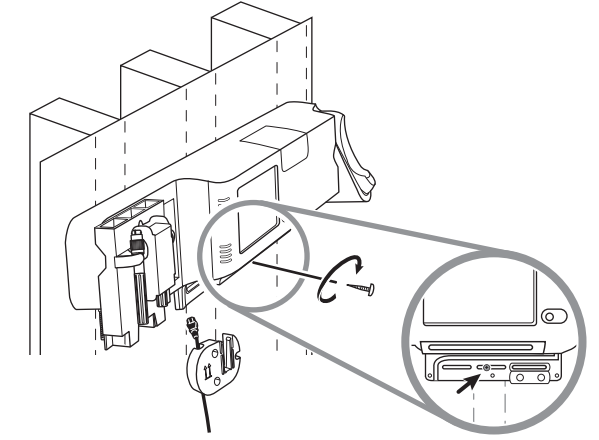
5. 將壁掛系統掛在安裝導軌托架上。

**警告** 確保壁掛系統背面的「肋片」與安裝導軌托架完全咬合。壁掛系統應保持水平並牆壁貼齊。

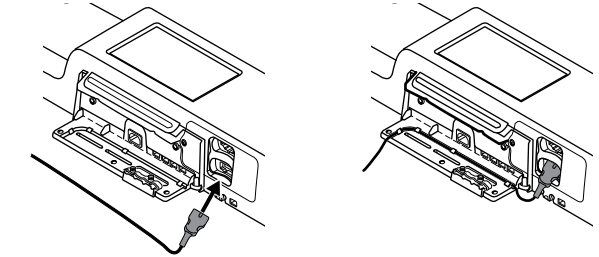


6. 在重疊螺柱的裝置底部之三個可用插槽中選擇其一，然後用剩下的螺絲將裝置固定到螺柱上。

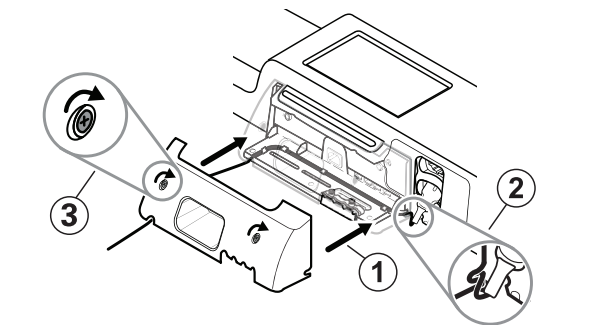
**警告** 若未安裝此安全螺絲，可能會導致人身傷害和設備損壞。



7. 如果壁掛裝置是針對 SpO2 而設置，請連接 SpO2 導線，並將其穿過剛剛安裝的安全螺絲上方的通道。

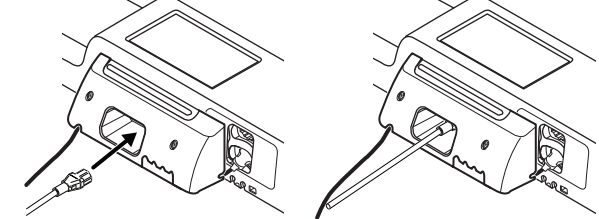


8. 重新裝上蓋子。  
a. 將 SpO2 導線穿過蓋子右上角和左下角的切口



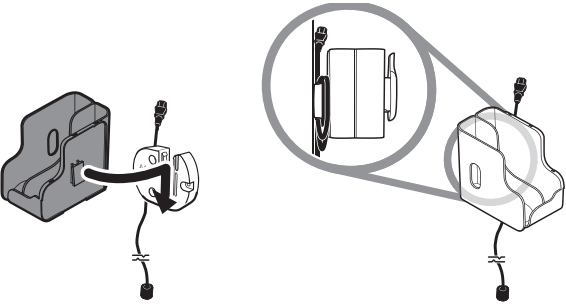
b. 旋緊兩個固定螺絲。

9. 將系統電源線連接到壁掛裝置。此時請勿將電源線插入插座。

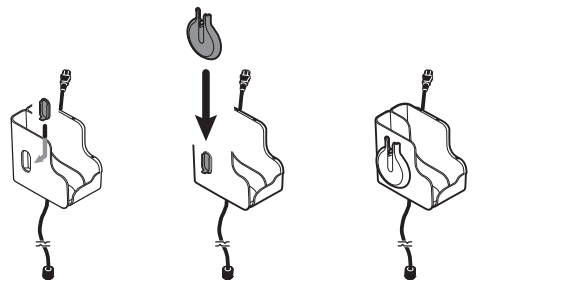


## 安裝配箱

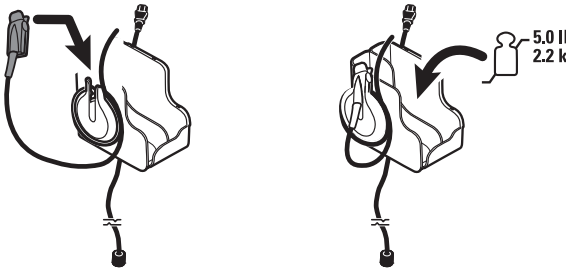
1. 將配箱安裝於配箱托架上，然後將多餘的電源線鬆鬆地纏繞在配箱托架周圍。



2. 如果您的壁掛系統是針對 SpO2 而設置，請將捲線軸滑到固定夾上，以將 SpO2 捲線軸接到配箱。



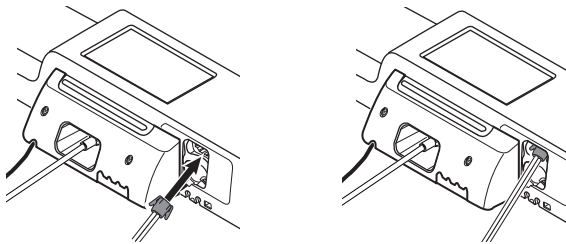
3. 正確定位並將 SpO2 感測器纜線插入患者纜線接頭。(您剛將感測器纜線的另一端連接到壁掛系統。)確保感測器纜線完全插入，然後關上保護蓋。(請參閱感測器製造商的使用說明。)
4. 將多餘的 SpO2 患者纜線纏繞在捲線軸上，並將 SpO2 指夾放在 SpO2 固定器上。



 最大安全使用負荷限制

## 連接血壓 (NIBP) 軟管

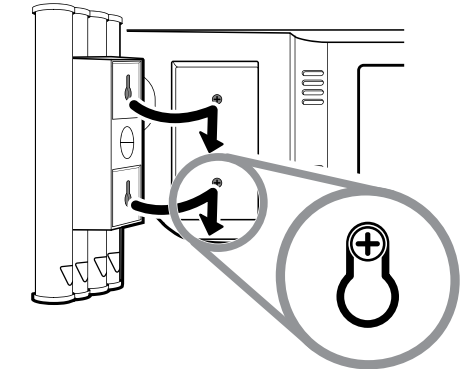
1. 將軟管接頭對準監視器底部的軟管接頭連接埠。
2. 插入軟管接頭，將接頭牢牢壓入直到聽到喀一聲卡入定位。



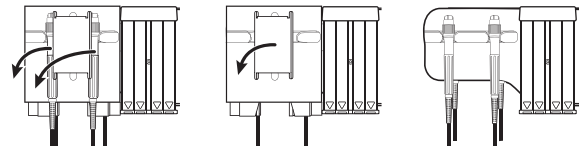
3. 將血壓脈帶連接至管路 (請參閱脈帶製造商的使用說明)，然後將脈帶存放在配箱中。

## 安裝身體評估儀器把手和檢查鏡分配器

1. 裝上檢查鏡分配器，確保分配器背面的鎖孔閉鎖槽與壁掛系統上的鎖定螺絲咬合，然後牢牢向下推。



2. 取下固定儀器把手的硬紙板。

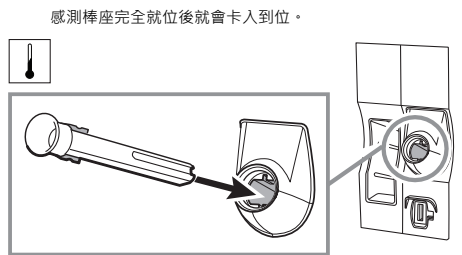


3. 將您選用的 Welch Allyn 3.5V 裝置接頭安裝到把手上，請參閱各個裝置接頭的使用說明。

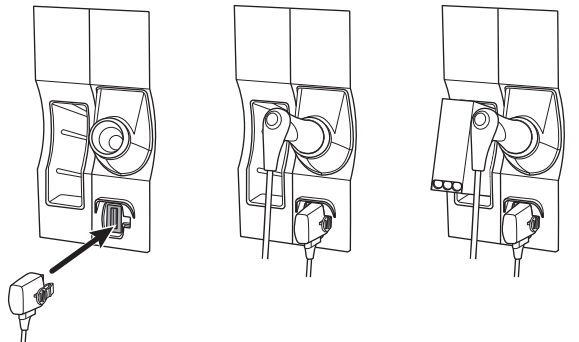
## 安裝 SureTemp® Plus 體溫計

如果您的壁掛系統是針對 SureTemp Plus 體溫計而設置，請遵循這些安裝說明。

1. 將感測棒座與上下的卡舌對準，並將感測棒座插入體溫模組。



2. 握住體溫感測棒纜線接頭並令其彈簧配平片位於右側，將接頭插入體溫模組的感測棒連接埠，將其推入到位，直至發出卡嗒聲。
3. 將體溫感測棒插入感測棒座。
4. 打開一盒感測棒護套，並將其放在感測棒護套盒架上。

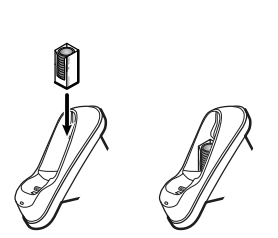
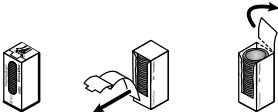


**備註** 將感測棒護套的備用盒放在壁掛系統頂部的收納槽中。

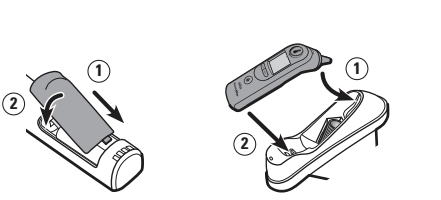
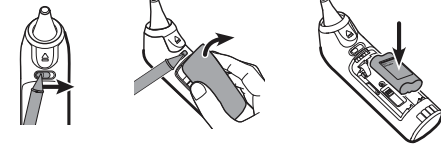
## 安裝 Braun ThermoScan® PRO 體溫計

如果您的系統是針對 Braun ThermoScan 體溫計而設置，請遵循這些安裝說明。

1. 從包裝中取出體溫計，然後打開一盒感測棒護套並將其放入底座。



2. 取下體溫計蓋子，放入電池，重新蓋好體溫計蓋子，然後將體溫計放入底座。



3. 使用前請為 Braun 體溫計充電 24 小時。
4. 如要從攝氏切換到華氏溫度，請參閱體溫計製造商的使用說明。

**備註** Braun ThermoScan PRO 6000 體溫計不會在 ECG 監測過程中充電。當 ECG 監測停止時，體溫計會自動恢復充電。

## 連接 AC 電源

壁掛系統可使用電池和 AC 電源。在完成所有其他設置活動後，您可以對壁掛系統供電。

1. 將電源插頭插入電源插座中，以便為監視器供電，並為電池充電。




**備註** 新電池只有 30% 您必須將壁掛系統插入 AC 電源，才能將電池充飽電。完成所有初始步驟之前，請勿插上電源線。

2. 請繼續前往「啟動」。

## 啟動

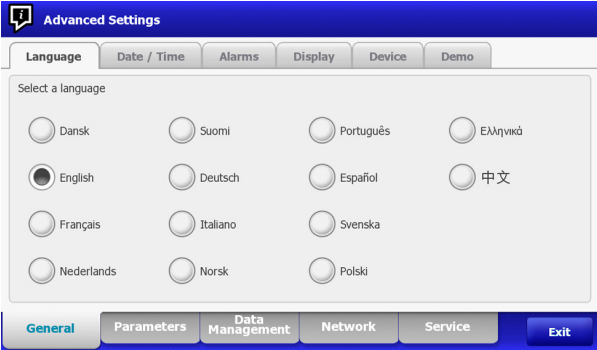
### 開啟壁掛系統電源

按  開啟壁掛系統的電源。

### 選擇語言

當您第一次啟動壁掛系統時，會顯示語言選擇畫面。


1. 選擇您的語言。



2. 觸碰 **Exit (結束)**。

Home (首頁) 標籤便會顯示。

### 設定日期和時間

1. 觸碰 **Settings (設定)** 標籤。
2. 觸碰 **Device (裝置)** 標籤。
3. 要更改日期和時間，請觸碰上下箭頭鍵，或觸碰  並輸入值。

針對您想要變更的每個值，重複執行上述操作。

**備註** 已儲存之病患測量值的日期和時間戳記會依照新的日期和時間設定而進行調整。

### 設定預設組態

1. 觸碰 **Settings (設定)** 標籤。
2. 觸碰 **Device (裝置)** 標籤。
3. 輸入或調整您想要新增或變更的設定值。


**備註** 完成後會顯示新設定值，但在儲存之前它們僅為暫時性。

4. 觸碰 **Save as default (儲存為預設值)**。
5. 觸碰 **OK (確定)** 以確認您想在啟動預設組態中，將先前的設定值取代為您目前的設定值。您也可以觸碰 **Cancel (取消)** 保留先前的設定值。

重新啟動監視器後，新的設定值將會儲存為預設啟動設定值。

**備註** 如果壁掛系統連接到網路，則日期與時間的設定值就會與網路的設定值同步化。

**備註** 已儲存之病患測量值的日期和時間戳記會依照新的日期和時間設定而進行調整。

 Welch Allyn Inc.  
4341 State Street Road  
Skaneateles Falls, NY 13153 USA  
電話：+1 800 535 6663 或 +1 315 685 4560 • 傳真：+1 315 685 3361  
www.welchallyn.com

 CE 標誌表示該裝置符合歐洲醫療器械指令 93/42/EEC 的所有基本規定。

法規事務代表 - Welch Allyn Limited  
Navan Business Park, Dublin Road, Navan, County Meath, Republic of Ireland

© 2017 Welch Allyn, Inc. 保留一切權利。對於因未遵守本入門指南中公佈的說明、注意事項、或警告使用本產品而可能導致的任何人身傷害，或對產品的任何非法或不當使用，Welch Allyn 概不承擔任何責任。Welch Allyn 是 Welch Allyn, Inc. 的註冊商標。

更新日期：2017-05  
Welch Allyn Technical Support  
www.welchallyn.com/support



## Welch Allyn Connex® Entegre Duvar Sistemi

## Başlatma Kılavuzu

## TÜRKÇE

## Kurulum



**Dikkat** Welch Allyn, duvar montaj arayüzlerinin sağlamlığından sorumlu değildir. Welch Allyn; montaj aksesuarının profesyonel kurulumunu, güvenliği ve güvenilirliği sağlamak için Biyomedikal Mühendislik Departmanınızla veya bakım servisinizle iletişime geçmenizi önerir.

## Not

Bu yayında belirtilen bazı ürün özellikleri ülkenizde geçerli olmayabilir. Ürünler ve özellikleri hakkında en son bilgileri edinmek için lütfen Welch Allyn Müşteri Hizmetlerini arayın.

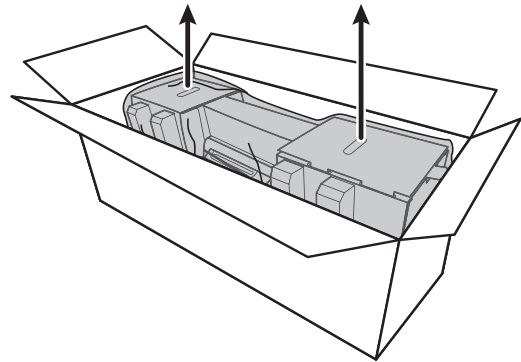
## Duvar sisteminin ambalajından çıkarılması

Bu prosedür duvar sisteminin ilk kez kurulumu için geçerlidir.

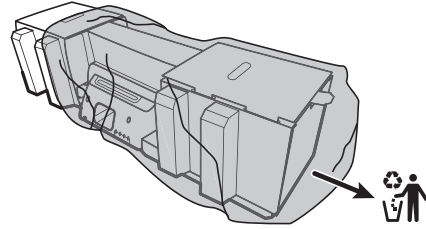


**Dikkat** Montaj güvenliği ve kolaylığı açısından bu talimatları harfiyen uygulamanız gerekir.  
**Dikkat** Talimatlarda belirtilene kadar duvar sisteminin etrafındaki hiçbir ambalaj malzemesini çıkarmayın.

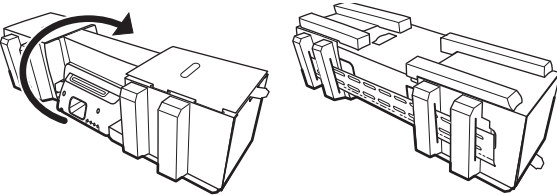
1. Duvar sistemini karton tutma yerlerinden kaldırarak kutudan çıkarın.



2. Duvar sistemini, ambalaj malzemesinin içindeyken bir masanın veya düz bir çalışma yüzeyinin üzerine koyun ve plastik poşetini çıkarın.



3. Duvar sistemini, arka kısmı yukarı bakacak şekilde ters çevirin.



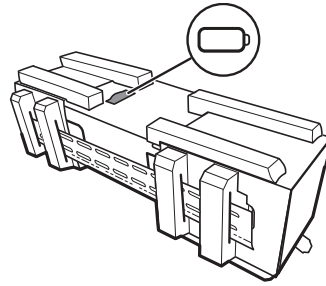
## Pilin takılması

Bu prosedür duvar sisteminin ilk kez kurulumu için geçerlidir. Bu nedenle duvar sisteminin kapalı olduğu varsayılır.

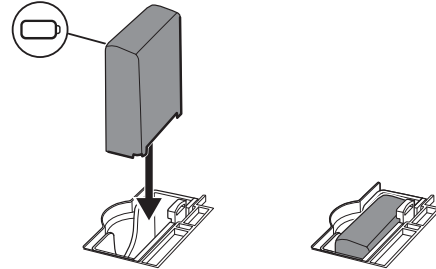


**UYARI** Yangın, patlama ve yanık riski. Pil kutusuna kısa devre yaptırmayın, kutuyu ezmeyin, yakmayın veya parçalarına ayırmayın.

1. işaretiyle gösterilen pil bölmesini bulun.

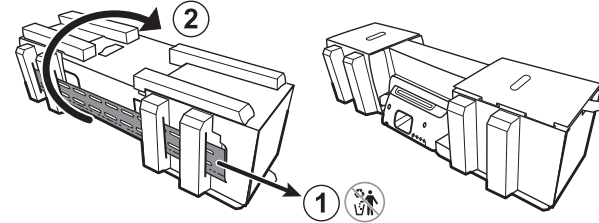


2. Pili takın. (Pil, aksesuar kutusundaki pembe bir antistatik poşet içindedir.)

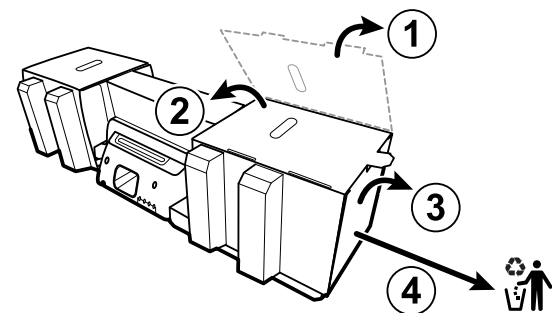


## Montaj hazırlığı

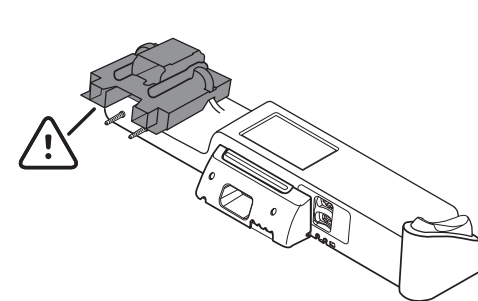
1. Montaj rayı desteğini kaydırarak ambalaj malzemesinden çıkarın ve kenara koyun. Montaj rayı desteğini atmayın. Ardından duvar sistemini arka kısmı aşağıya gelecek şekilde çevirin.



2. Uçlardaki karton destekleri gösterildiği gibi çıkarın ve geri dönüşüm için kenara ayırın.

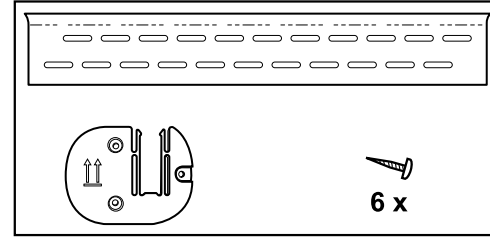


**Dikkat** Duvar sisteminin sol tarafında bulunan kolları koruyan kartonu bu aşamada çıkarmayın. Karton, montaj işlemi sırasında söz konusu cihazların zarar görmesini önler.



## Montaj donanımı envanteri

Duvar sistemini monte etmek için bu öğeleri kullanın.



- Montaj rayı desteği
- Aksesuar sepeti desteği
- Vidalar

## Araç listesi

Duvar sistemini monte etmek için aşağıdaki araçları kullanın.

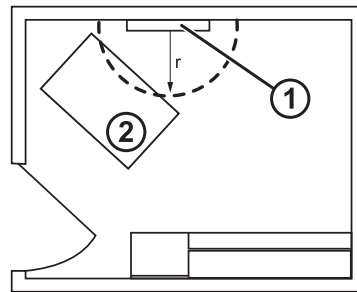
- 2 numaralı Yıldız tornavida
- su terazisi
- şerit metre
- metal parça detektörü
- matkap
- 1/8 inç (3,17 mm) çaplı matkap ucu

## Montaj konumu

Duvar sistemini monte etmeden önce en iyi montaj konumunu belirlemek için aşağıdaki önerileri göz önünde bulundurun:

- Duvar sistemini bağlantı parçalarına monte edin.
- Duvar sistemini AC güç çıkışının yakınına monte edin. Güç kablosu 8 ft (2,44 m) uzunluğundadır.
- Parlak ışıklı alanlardan kaçının.
- Kan basıncı borusu 8 ft (2,44 m) uzunluğundadır.
- Duvar sistemini, tüm cihazlar erişilebilir olacak şekilde ve ergonomik muayenelere olanak sağlayan bir yere yerleştirin.

## Örnek oda düzeni



1. Connex Entegre Duvar Sistemi
2. Muayene masası

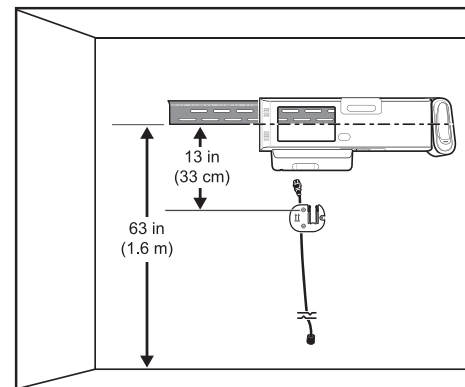
## Duvar sisteminin monte edilmesi

1. İstenen duvar üzerinde bağlantı parçalarının yerlerini bulup işaretleyin ve sistem yüksekliği ile ilgili montaj rayı desteği yüksekliğini seçin.

Öneri: Montaj rayı desteğini yerden 63 inç (1,6 m) yükseğe yerleştirin; böylece ekran merkezinin yerden yüksekliği yaklaşık 63 inç (1,6 m) olur.



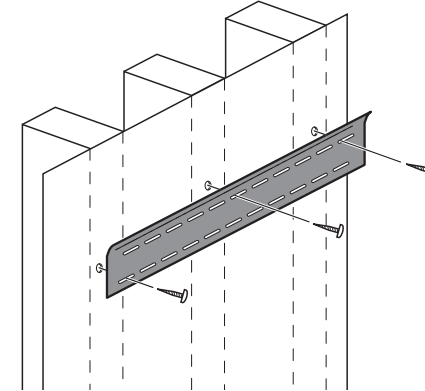
**Dikkat** Bu çizimde, montaj talimatları tamamlandıktan sonra montaj desteklerinin birbirleriyle ve duvar sistemiyle olan fiziksel ilişkileri gösterilmektedir. Ön adımların hepsini tamamlamadan duvar sistemini duvara takmayın.



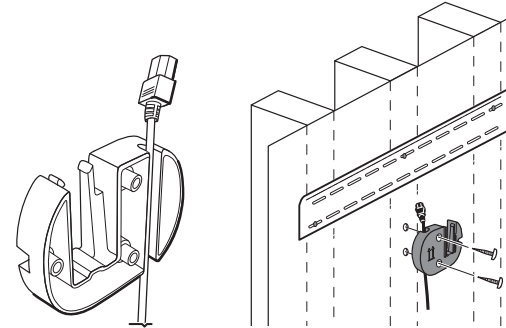
2. Verilen vidaları kullanarak montaj rayı desteğini belirlenmiş olan yükseklikte tek bağlantı parçasına takın (ek destek için sabitleyiciler sağlanmıştır).



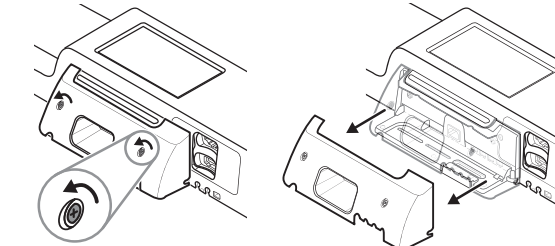
**Dikkat** Desteğin üst "kenarının" duvardan çıkıntı yaptığundan ve desteğin düz durduğundan emin olun.



3. Güç kablosunu aksesuar sepeti desteğinin arka kısmındaki kanaldan geçirin ve ardından desteği, montaj rayı desteğinin en az 13 inç (33 cm) altında olacak şekilde ortadaki bağlantı parçasına monte edin.



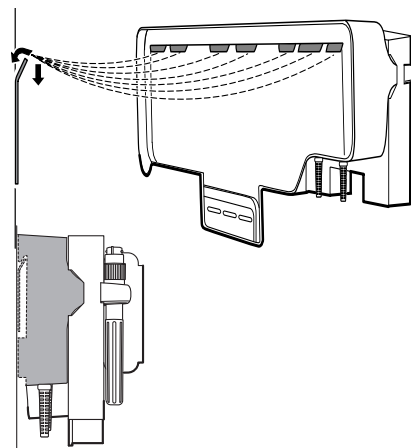
4. Duvar sistemini monte etmeden önce sabitleme vidalarını gevşeterek kapağı çıkarın.



5. Duvar sistemini montaj rayı desteğine asın.



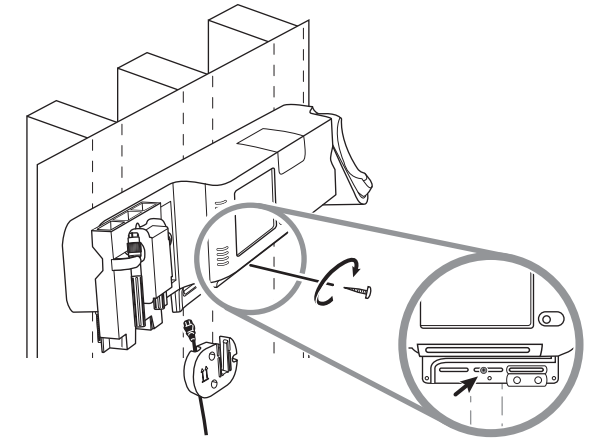
**UYARI** Duvar sisteminin arka kısmındaki "dişlerin", montaj rayı desteğine tamamen oturduğundan emin olun. Duvar sistemi düz durmalıdır ve duvara yaslanmalıdır.



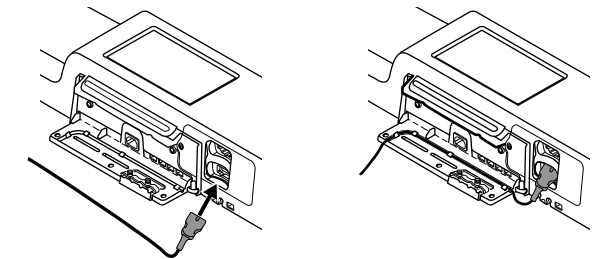
6. Bağlantı parçalarından birinin üzerine gelen ünitenin alt kısmındaki üç bölmeden birini seçin ve artan vidayı kullanarak üniteyi bağlantı parçasına sabitleyin.



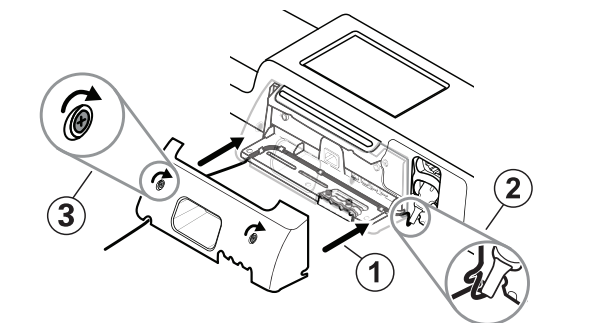
**UYARI** Bu emniyet vidasının takılmaması fiziksel yaralanma veya ekipman hasarıyla sonuçlanabilir.



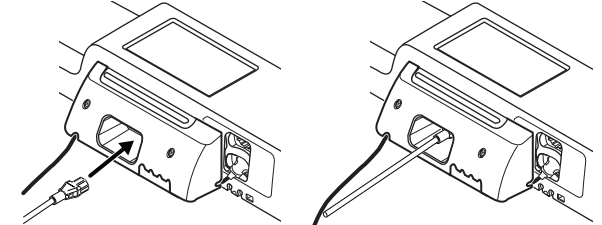
7. Duvar ünitesi SpO2 için yapılandırıldıysa SpO2 kablosunu bağlayın ve az önce taktığınız emniyet vidasının üzerindeki kanaldan geçirin.



8. Kapağı yeniden takın.
  - a. SpO2 kablosunu, kapağın sağ üst ve sol alt kısmındaki oyuk kısımlardan geçirin

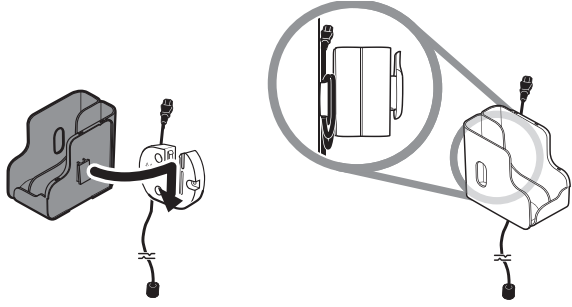


9. Sistem güç kablosunu duvar ünitesine takın. Bu noktada fişi prize takmayın.
  - b. İki sabitleme vidasını sıkın.

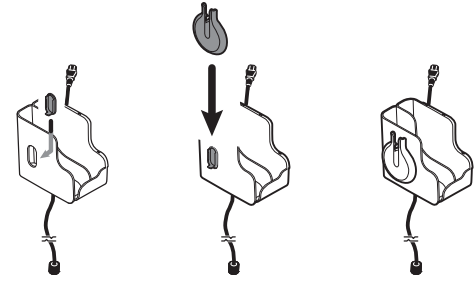


## Aksesuar sepetinin montajı

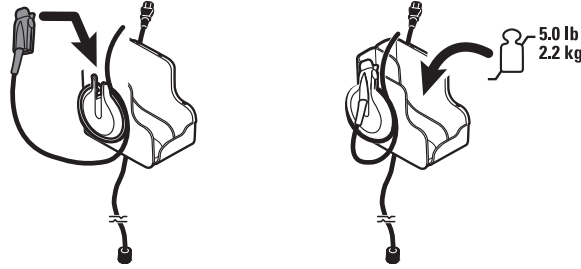
1. Aksesuar sepetini, aksesuar sepeti desteğinin üzerine monte edin ve ardından güç kablosunun fazla olan kısmını aksesuar sepeti desteğinin etrafına gevşek bir biçimde sarın.



2. Duvar sisteminiz SpO2 için yapılandırıldıysa SpO2 makarasını sabitleme klipsine geçirek aksesuar sepetine takın.



3. SpO2 sensör kablosunu doğru bir şekilde yönlendirerek hasta kablosu konektörüne takın. (Az önce sensör kablosunun karşı ucunu duvar sistemine bağladınız.) Sensör kablosunun tam olarak yerleştiğinden emin olun ve ardından koruyucu kapağı kapatın. (Sensör üreticisinin kullanım talimatlarına bakın.)
4. SpO2 hasta kablosunun fazla olan kısmını makaranın etrafına sarın ve SpO2 parmak klipsini SpO2 tutucusuna yerleştirin.

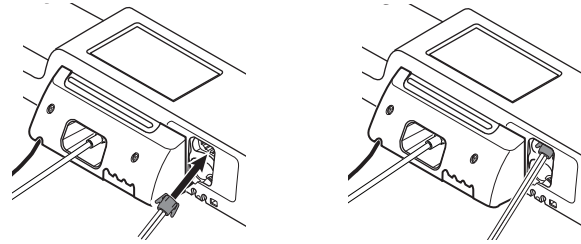


5.0 lb  
2.2 kg

Maksimum güvenli çalışma yükü sınırları

## Kan basıncı (NIBP) hortumunun bağlanması

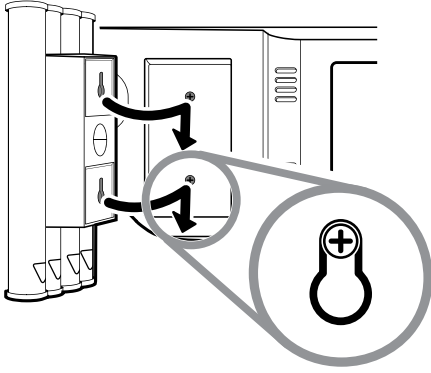
1. Hortum konektörünü monitörün alt tarafında bulunan hortum konektörü portuyla aynı hizaya getirin.
2. Hortum konektörünü klik sesi ile yerine oturuncaya kadar sıkıca bastırarak takın.



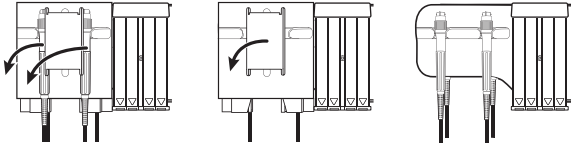
3. Boruya bir kan basıncı kafi takın (üreticinin kullanım talimatlarına bakın) ve ardından kafi aksesuar sepetinde saklayın.

## Fiziksel değerlendirme cihazı kollarının ve spekulum dağıtıcısının kurulumu

1. Spekulum dağıtıcıyı takın. Dağıtıcının arka kısmındaki kilitleme bölmelerinin, duvar sisteminin üzerindeki kilitleme vidalarına oturduğundan emin olun ve ardından dağıtıcıyı sıkıca aşağıya itin.



2. Cihazın kollarını koruyan kartonu çıkarın.



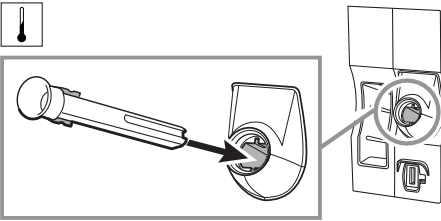
3. Kollara tercih ettiğiniz Welch Allyn 3,5 V cihaz başlıklarını takın. Her cihaz başlığına ilişkin kullanım talimatlarına bakın.

## SureTemp® Plus termometrenin kurulumu

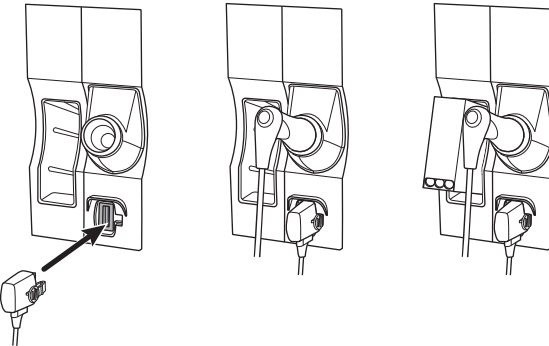
Duvar sisteminiz SureTemp Plus termometre için yapılandırıldıysa aşağıdaki kurulum talimatlarını uygulayın.

1. Prob yuvasını, tırnaklar yukarı ve aşağı bakacak şekilde hizalayın ve ateş ölçer modülüne yerleştirin.

Prob yuvası bütünüyle yerleştirildiğinde yerine tam oturur.



2. Ateş ölçüm probunun kablo konektörünü, yaylı tırnak sağda olacak şekilde tutun ve termometre modülünün prob portuna yerleştirin. Konektörü klik sesi duyana kadar yerine itin.
3. Ateş ölçüm probunu prob yuvasına yerleştirin.
4. Bir adet prob kılıfı kutusu açın ve bunu prob kılıfı kutusu tutucusuna yerleştirin.

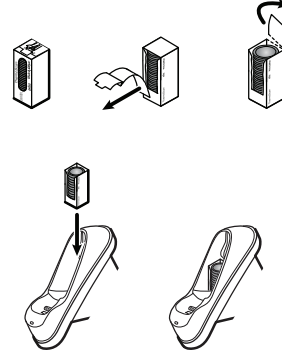


**Not** Duvar sisteminin üst bölümündeki saklama bölümüne yedek prob kılıfı kutuları koyun.

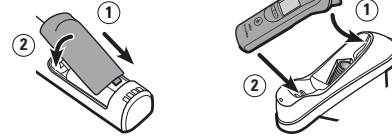
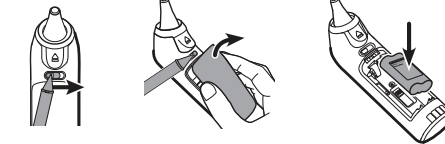
## Braun ThermoScan® PRO termometrenin kurulumu

Sisteminiz Braun ThermoScan termometre için yapılandırıldıysa aşağıdaki kurulum talimatlarını uygulayın.

1. Termometreyi ambalajdan çıkarın. Ardından bir adet prob kılıfı kutusu açın ve standa yerleştirin.



2. Termometrenin kapağını çıkarın, pili takın, termometrenin kapağını yerine takın ve ardından termometreyi standı yerleştirin.



3. Kullanmadan önce Braun termometreyi 24 saat şarj edin.
4. Celsius'tan Fahrenheit'a geçmek için termometre üreticisinin kullanım talimatlarına başvurun.

**Not** Braun ThermoScan PRO 6000 termometre, EKG izlemi sırasında şarj olmaz. EKG izlemi durduğunda termometre şarj olmaya otomatik olarak devam eder.

## AC gücünün bağlanması

Duvar sistemi hem pil hem de AC gücü kullanır. Diğer tüm kurulum işlemlerini tamamladıktan sonra duvar sistemine güç verebilirsiniz.

1. Monitöre güç vermek ve pili şarj etmek için elektrik fişini bir prize takın.



**Not** Yeni piller yalnızca yüzde 30 oranında doludur. Pili tamamen şarj etmek için duvar sisteminin AC gücüne bağlamanız gerekir. Ön adımların hepsini tamamlamadan güç kablosunu prize takmayın.

2. Başlatma işlemine geçin.

## Başlatma

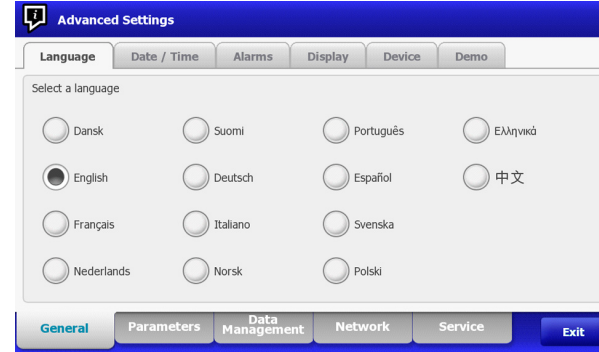
### Duvar sistemini çalıştırma

Duvar sistemini çalıştırmak için düğmesine basın.

Dil seçimi

Duvar sisteminin ilk kez çalıştırdığınızda dil seçim ekranı görüntülenir.

1. Dilinizi seçin.



2. **Exit** (Çıkış) seçeneğine dokunun.

Home (Ana Sayfa) sekmesi görüntülenir.

Tarih ve saatin ayarlanması

1. **Settings** (Ayarlar) sekmesine dokunun.
2. **Device** (Cihaz) sekmesine dokunun.
3. Tarih ve saat değerlerini değiştirmek için yukarı ve aşağı ok tuşlarına

veya ögesine dokunun ve bir değer girin.

Değiştirmek istediğiniz her değer için bu işlemi tekrarlayın.

**Not** Kaydedilmiş olan hasta ölçümleri üzerindeki tarih ve zaman damgaları yeni tarih ve saat ayarlarına göre değişecektir.

Varsayılan yapılandırmanın ayarlanması

1. **Settings** (Ayarlar) sekmesine dokunun.
2. **Device** (Cihaz) sekmesine dokunun.
3. Ekleme ya da değiştirmek istediğiniz ayarları girin ya da değiştirin.

**Not** Yeni ayarlar tamamlandıkça görünür ancak kaydedilene kadar geçici olarak tutulur.

4. **Save as default** (Varsayılan olarak kaydet) seçeneğine dokunun.
5. Önceki ayarlarınızı değiştirerek bunları varsayılan başlangıç yapılandırmasında güncel ayarlarınızla değiştirmek istediğinizi onaylamak için **OK** (Tamam) seçeneğine dokunun. Önceki ayarlarınızı korumak için ise **Cancel** (İptal) seçeneğine dokunun.

Bilgisayarınızı yeniden başlattığınızda yeni ayarlar varsayılan başlangıç ayarları olarak saklanır.

**Not** Duvar sisteminin bir ağa bağlı ise tarih ve saat ayarları ağ ayarlarıyla senkronize edilir.

**Not** Kaydedilmiş olan hasta ölçümleri üzerindeki tarih ve zaman damgaları yeni tarih ve saat ayarlarına göre değişecektir.

Welch Allyn Inc.  
4341 State Street Road  
Skaneateles Falls, NY 13153 USA  
Tel. +1 800 535 6663 veya +1 315 685 4560 • Faks. +1 315 685 3361  
www.welchallyn.com

CE İşareti, cihazın Avrupa Tıbbi Cihaz Direktifi 93/42/EEC'nin tüm temel gerekliliklerini karşıladığını gösterir.

Ruhsatlandırma Temsilcisi, Welch Allyn Limited  
Navan Business Park, Dublin Road, Navan, County Meath, İrlanda Cumhuriyeti

© 2017 Welch Allyn, Inc. Tüm hakları saklıdır. Welch Allyn, söz konusu ürünün bu başlatma kılavuzunda yayınlanan talimatlar, dikkat notları veya uyarılara uygun şekilde kullanılmamasından kaynaklanabilecek herhangi bir yaralanmadan veya ürünün yasal olmayan ya da hatalı kullanımından sorumlu tutulamaz. Welch Allyn, Welch Allyn, Inc. şirketinin tescilli ticari markasıdır.

Revizyon tarihi: 2017-05  
Welch Allyn Technical Support  
www.welchallyn.com/support



Sistema de parede integrado Welch Allyn Connex®

Guia de iniciação

PORTUGUÊS

Configuração



**Atenção** A Welch Allyn não é responsável pela integridade de qualquer interface de montagem na parede. A Welch Allyn recomenda que o cliente contacte o respetivo Departamento Técnico de Biomedicina ou o serviço de manutenção de forma a assegurar uma instalação profissional e a segurança e fiabilidade de qualquer acessório de montagem.

Nota

Algumas funcionalidades do produto descritas neste documento poderão não estar disponíveis no seu país. Para obter as informações mais recentes sobre produtos e funcionalidades, contacte o apoio ao cliente da Welch Allyn.

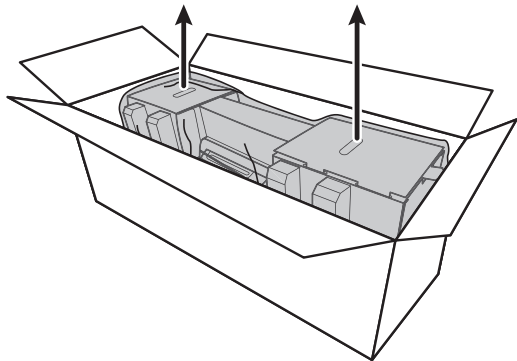
Desembalar o sistema de parede

Este procedimento aplica-se à configuração inicial do sistema de parede.

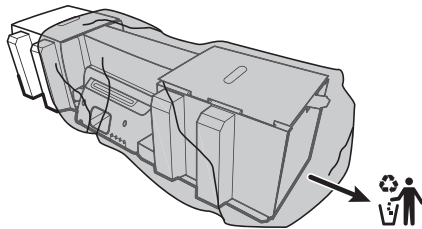


**Atenção** Deve seguir rigorosamente estas instruções para garantir a segurança e a facilidade de montagem.  
**Atenção** Não retire quaisquer materiais de embalagem em torno do sistema de parede antes de as instruções indicarem para o fazer.

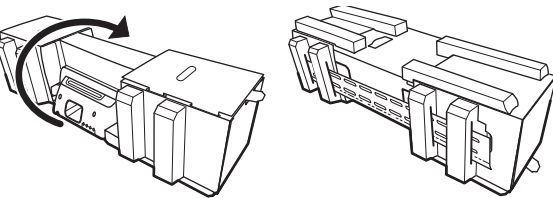
1. Levante o sistema de parede para fora da caixa pelas pegas de cartão.



2. Com o sistema de parede ainda no material de embalagem, coloque-o sobre uma mesa ou superfície de trabalho plana e retire-o do saco de plástico.



3. Vire o sistema de parede de forma que a parte traseira do mesmo fique voltada para cima.



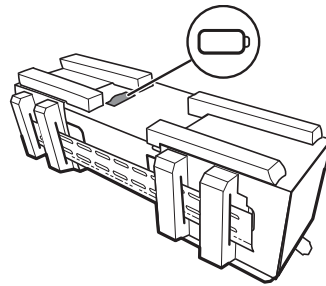
Introduzir a pilha

Este procedimento aplica-se à configuração inicial do sistema de parede. Assim, parte-se do princípio de que o sistema de parede está desativado.

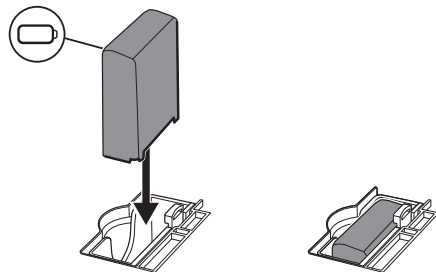


**ADVERTÊNCIA** Risco de incêndio, explosão e queimaduras. Não submeta o conjunto de pilhas a curto-circuito, esmagamento, incineração ou desmontagem.

1. Localize o compartimento da pilha, indicado por

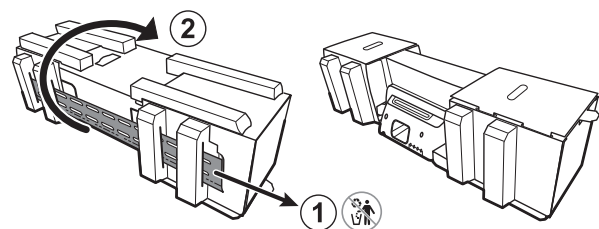


2. Introduza a pilha. (A pilha encontra-se num saco rosa antiestático na caixa de acessórios.)

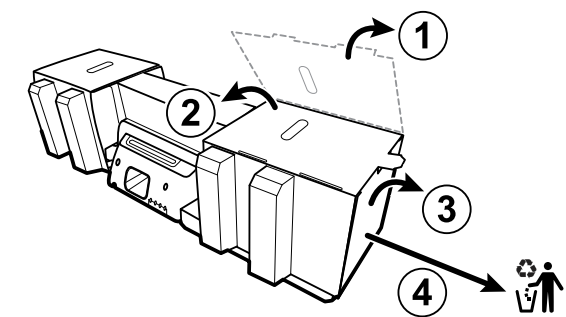


Preparar a montagem

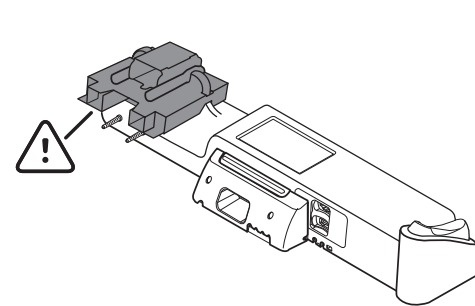
1. Faça deslizar o suporte da calha de montagem para fora do material de embalagem e coloque-o de lado. Não o deite fora. Em seguida, vire o sistema de parede e coloque-o sobre a parte traseira.



2. Retire as tampas de cartão das extremidades, conforme mostrado, e coloque-as de lado para reciclagem.

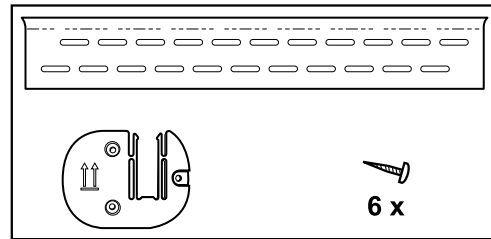


**Atenção** Não retire ainda o cartão que fixa as pegas no lado esquerdo do sistema de parede. O cartão evita danos nesses instrumentos durante o processo de montagem.



Montagem do inventário de acessórios

Utilize estas peças para montar o sistema de parede.



- Suporte da calha de montagem
- Suporte da caixa de acessórios
- Parafusos

Lista de ferramentas

Utilize estas ferramentas para montar o sistema de parede.

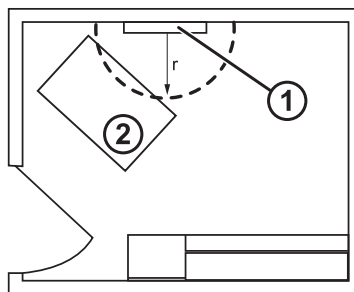
- Chave Phillips número 2
- Ferramenta de nível
- Fita métrica
- Localizador de pernos
- Berbequim
- Broca de 1/8 pol. (3,17 mm) de diâmetro

Local de montagem

Antes da montagem do sistema de parede, tenha em consideração as seguintes recomendações para determinar o melhor local de montagem:

- Monte o sistema de parede nos pernos.
- Monte o sistema de parede ao alcance da tomada de alimentação de CA. O cabo de alimentação tem um comprimento de 8 pés (2,44 m).
- Evite áreas com iluminação intensa.
- A tubagem de pressão arterial tem um comprimento de 8 pés (2,44 m).
- Posicione o sistema de parede de forma que todos os instrumentos fiquem acessíveis, num local que permita exames ergonómicos.

Disposição da sala de exemplo



1. Sistema de parede integrado Connex
2. Mesa de exames

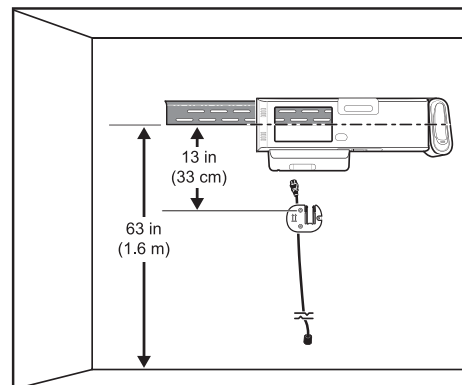
Montar o sistema de parede

1. Na parede selecionada, localize e marque os pernos, e escolha a altura do sistema e a altura correspondente para o suporte da calha de montagem.

**Recomendação:** coloque o suporte da calha de montagem a 63 pol. (1,6 m) do chão, o que coloca a altura do ecrã ao centro em aproximadamente 63 pol. (1,6 m) do chão.



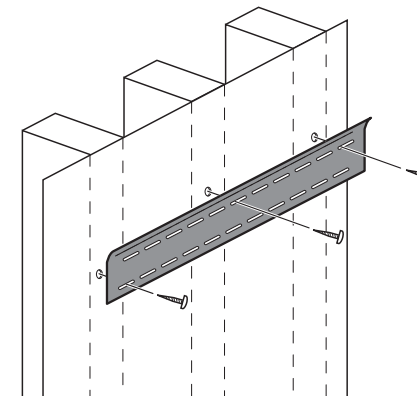
**Atenção** Este desenho mostra as relações físicas dos suportes de montagem entre si e relativamente ao sistema de parede **depois** de concluídas as instruções de montagem. Não coloque o sistema de parede na parede antes de concluir todos os passos preliminares.



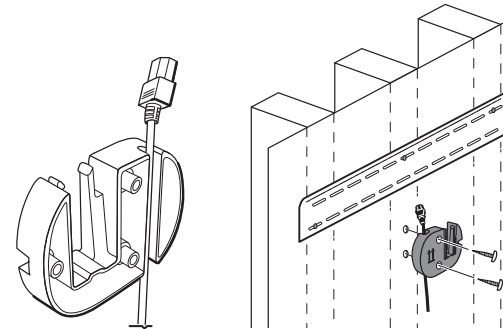
2. Fixe o suporte da calha de montagem em três pernos na altura selecionada, utilizando os parafusos disponíveis (são fornecidas escoras para apoio adicional).



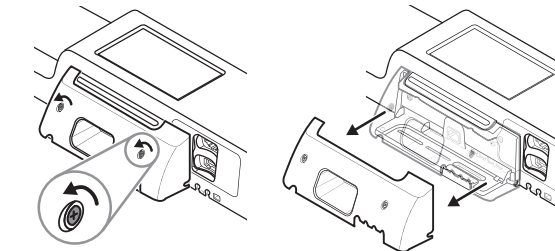
**Atenção** Certifique-se de que o rebordo superior do suporte sobressai da parede e de que o suporte está nivelado.



3. Encaminhe o cabo de alimentação, através do canal na parte traseira do suporte da caixa de acessórios. Em seguida, monte o suporte no perno central, pelo menos, 13 pol. (33 cm) abaixo do suporte da calha de montagem.



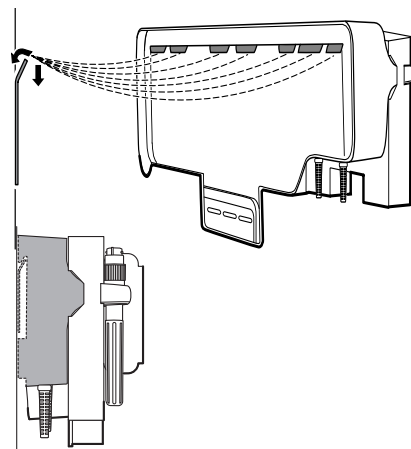
4. Antes da montagem do sistema de parede, retire a tampa, soltando os parafusos de retenção presos.



5. Pendure o sistema de parede no suporte da calha de montagem.



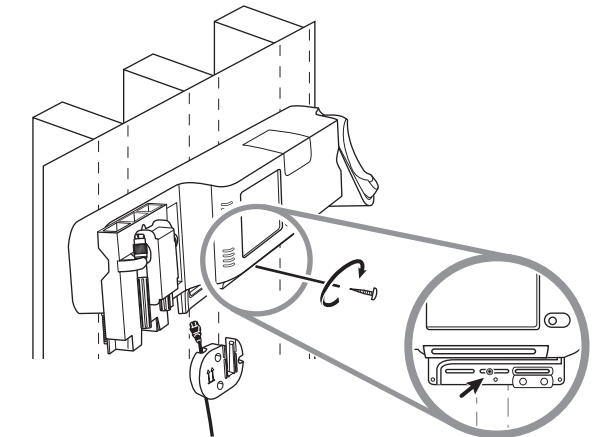
**ADVERTÊNCIA** Certifique-se de que as nervuras na parte traseira do sistema de parede encaixam totalmente no suporte da calha de montagem. O sistema de parede deve estar nivelado e rente à parede.



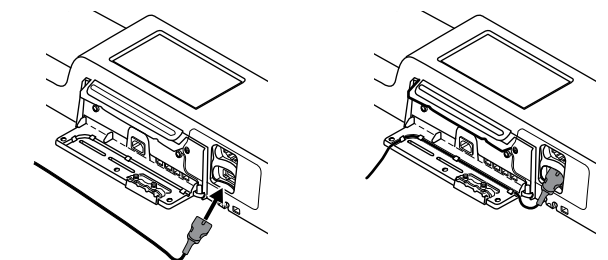
6. Escolha uma das três ranhuras disponíveis na parte inferior da unidade que se sobrepõem a um perno e fixe a unidade no perno com o parafuso restante.



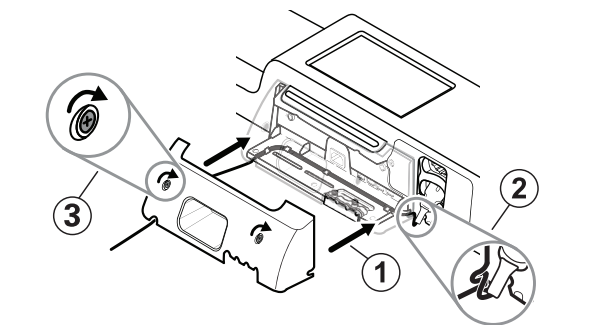
**ADVERTÊNCIA** A não instalação deste parafuso de segurança pode resultar em ferimentos pessoais e danos no equipamento.



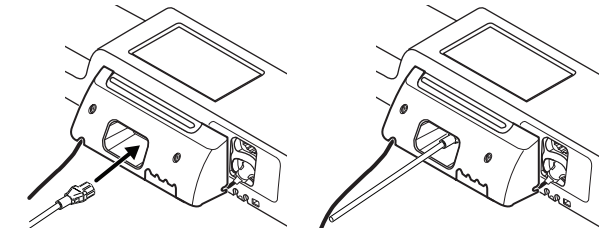
7. Se a unidade de parede estiver configurada para SpO2, ligue o cabo SpO2 e encaminhe-o através do canal acima do parafuso de segurança recém-instalado.



8. Volte a colocar a tampa.
  - a. Passe o cabo SpO2 pelos entalhes nos cantos superior direito e inferior esquerdo da tampa.

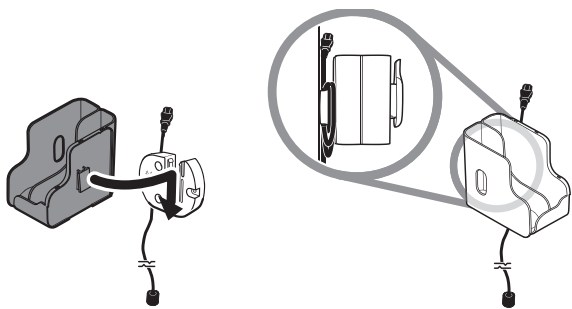


9. Ligue o cabo de alimentação do sistema à unidade de parede. Não ligue ainda o cabo a uma tomada.
  - a. Aperte os dois parafusos de retenção.

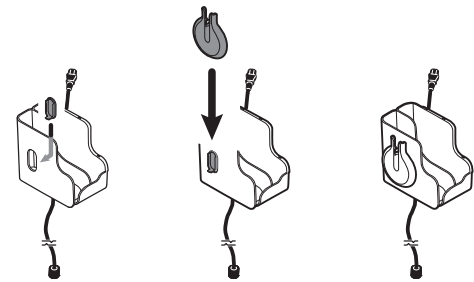


## Montar a caixa de acessórios

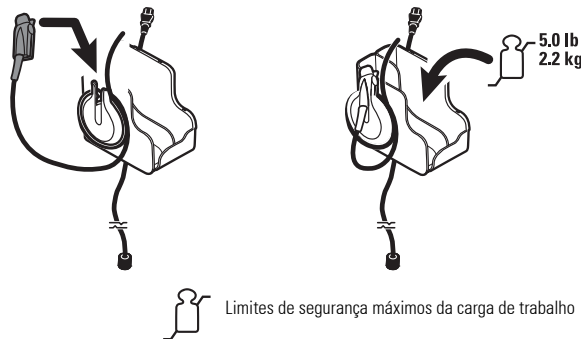
1. Monte a caixa de acessórios no suporte da caixa de acessórios e, em seguida, enrole, sem apertar, o cabo de alimentação restante em torno do suporte da caixa de acessórios.



2. Se o sistema de parede estiver configurado para SpO2, fixe o rolo para SpO2 na caixa de acessórios, fazendo-o deslizar para a abraçadeira de retenção.

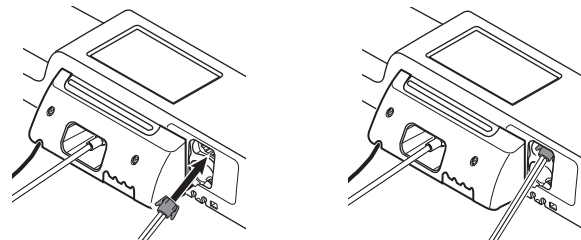


3. Oriente corretamente e insira o cabo do sensor SpO2 no conector do cabo do paciente. (Acabou de ligar a extremidade oposta do cabo do sensor ao sistema de parede.) Certifique-se de que o cabo do sensor está completamente inserido e, em seguida, feche a tampa de proteção. (Consulte as instruções de utilização do fabricante do sensor.)
4. Enrole o cabo do paciente SpO2 restante em torno do rolo e coloque o grampo de dedo SpO2 no suporte SpO2.



## Ligar o tubo de pressão arterial (NIBP)

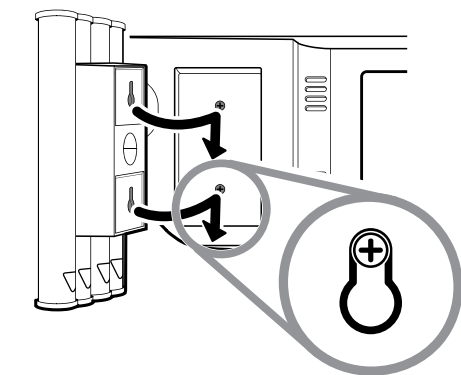
1. Alinhe o conector do tubo com a porta do conector do tubo na parte inferior do monitor.
2. Introduza o conector do tubo, premindo firmemente até encaixar no lugar.



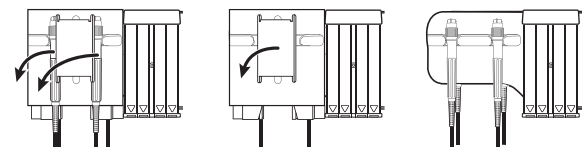
3. Fixe uma braçadeira de pressão arterial à tubagem (consulte as instruções de utilização do fabricante da braçadeira) e, em seguida, guarde a braçadeira na caixa de acessórios.

## Configurar as pegas do instrumento de avaliação física e o dispensador de espéculos

1. Fixe o dispensador de espéculos. Certifique-se de que as ranhuras de bloqueio do orifício na parte traseira do distribuidor encaixam nos parafusos de bloqueio no sistema de parede e, em seguida, empurre firmemente para baixo.



2. Retire o cartão que fixa as pegas do instrumento.

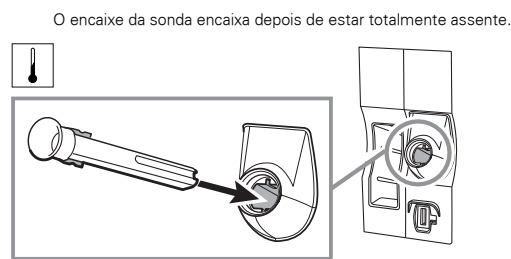


3. Ligue as cabeças de instrumento selecionadas de 3,5 V da Welch Allyn às pegas. Consulte as instruções de utilização para cada cabeça de instrumento.

## Configurar o termómetro SureTemp® Plus

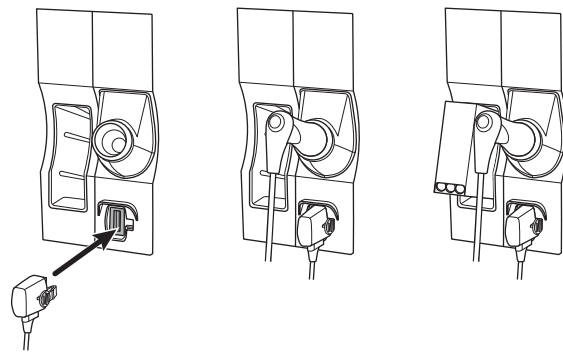
Se o sistema de parede estiver configurado para um termómetro SureTemp Plus, siga estas instruções de configuração.

1. Alinhe o encaixe da sonda com as patilhas viradas para cima e para baixo e introduza o encaixe da sonda no módulo de temperatura.



O encaixe da sonda encaixa depois de estar totalmente assente.

2. Segure o conector do cabo da sonda de temperatura com a patilha de mola no lado direito e introduza-o na porta da sonda do módulo de temperatura. Encaixe até se ouvir um estalido.
3. Introduza a sonda de temperatura no respetivo encaixe.
4. Abra uma caixa de tampas para sondas e coloque-a no suporte da caixa de tampas para sondas.

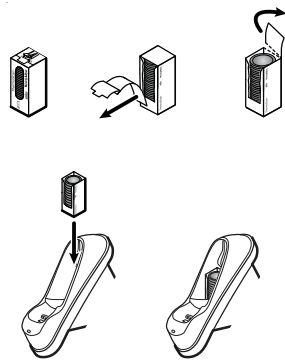


**Nota** Coloque as caixas de tampas para sondas sobresselentes no compartimento de armazenamento, na parte superior do sistema de parede.

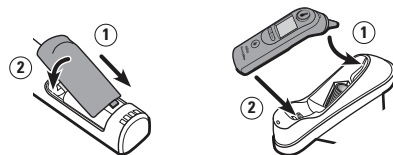
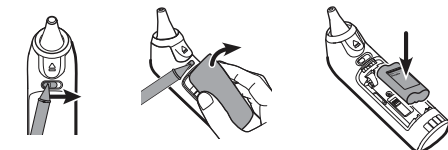
## Configurar o termómetro Braun ThermoScan® PRO

Se o sistema estiver configurado para o termómetro Braun ThermoScan, siga estas instruções de configuração.

1. Retire o termómetro da embalagem. Em seguida, abra uma caixa de tampas para sondas e coloque-a na base.



2. Retire a tampa do termómetro, introduza a pilha, volte a colocar a tampa do termómetro e, em seguida, coloque o termómetro na base.



3. Carregue o termómetro Braun durante 24 horas antes da utilização.
4. Para mudar de Celsius para Fahrenheit, consulte as instruções de utilização do fabricante do termómetro.

**Nota** O termómetro Braun ThermoScan PRO 6000 não é carregado durante a monitorização de ECG. Quando a monitorização de ECG é interrompida, o termómetro retoma automaticamente o carregamento.

## Ligar a alimentação de CA

O sistema de parede utiliza pilha e alimentação de CA. Depois de concluir todas as outras atividades de configuração, pode ligar a alimentação do sistema de parede.

1. Introduza a ficha de alimentação numa tomada para alimentar o monitor e carregar a pilha.




**Nota** As pilhas novas têm apenas 30 por cento de carga. É necessário ligar o sistema de parede à alimentação de CA para carregar totalmente a pilha. Não ligue o cabo de alimentação antes de concluir todos os passos preliminares.

2. Avance para o arranque.

## Arranque

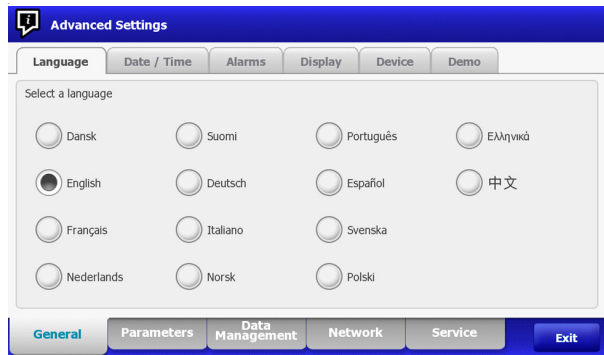
### Ligar o sistema de parede

Prima  para ligar o sistema de parede.

### Selecionar idioma

Quando ligar o sistema de parede pela primeira vez, é apresentado o ecrã de seleção do idioma.

1. Selecione um idioma.



2. Toque em **Sair**.

Aparece o separador Pág. in.

### Definir data e hora

1. Toque no separador **Definições**.
2. Toque no separador **Dispositivo**.
3. Para alterar os valores de data e hora, toque nas teclas de seta para cima e

para baixo ou em  e introduza um valor.

Repita relativamente a cada valor que pretenda alterar.

**Nota** Os carimbos de data e hora nas medições do paciente guardado serão ajustados em resposta às novas definições de data e hora.

### Definir a configuração predefinida

1. Toque no separador **Definições**.
2. Toque no separador **Dispositivo**.
3. Introduza ou ajuste as definições desejadas que pretende adicionar ou alterar.

**Nota** As novas definições surgem à medida que são efetuadas mas são temporárias até serem guardadas.


4. Toque em **Guardar como predef.**
5. Toque em **OK** para confirmar que pretende substituir as definições anteriores e substituí-las pelas definições atuais na configuração predefinida de arranque. Ou toque em **Cancelar** para manter as definições anteriores.

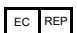
As novas definições são guardadas como definições predefinidas de arranque ao reiniciar o monitor.

**Nota** Se o sistema de parede estiver ligado a uma rede, as definições de data e hora são sincronizadas com as definições de rede.

**Nota** Os carimbos de data e hora nas medições do paciente guardado serão ajustados em resposta às novas definições de data e hora.

 Welch Allyn Inc.  
4341 State Street Road  
Skaneateles Falls, NY 13153 USA  
Tel.: +1 800 535 6663 ou +1 315 685 4560 • Fax: +1 315 685 3361  
www.welchallyn.com

 A marca CE significa que o dispositivo cumpre todos os requisitos essenciais da Diretiva Europeia 93/42/CEE relativa a Dispositivos Médicos.

 Representante de Assuntos Regulamentares, Welch Allyn Limited  
Navan Business Park, Dublin Road, Navan, County Meath, República da Irlanda

© 2017 Welch Allyn, Inc. Todos os direitos reservados. A Welch Allyn não assume qualquer responsabilidade por lesões causadas a quem quer que seja, ou pela utilização ilegal ou incorreta do produto, que possam resultar do incumprimento da utilização deste produto de acordo com as instruções, precauções ou avisos publicados neste guia de iniciação. Welch Allyn é uma marca comercial registada da Welch Allyn, Inc.

Data da revisão: 2017-05  
Welch Allyn Technical Support  
www.welchallyn.com/support